

ACPS Series

Conveying Vacuum Generator

AIRBEST



BIOPHARMING



FOOD



PACKAGING

Features

- ◇ Straight-through design, extremely large vacuum flow
- ◇ Different diameters are available

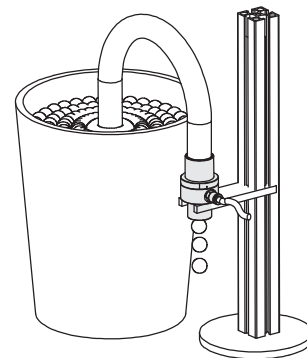
Advantages

- ◇ Handling of workpieces with high permeability, particle, powder, gas and fluid



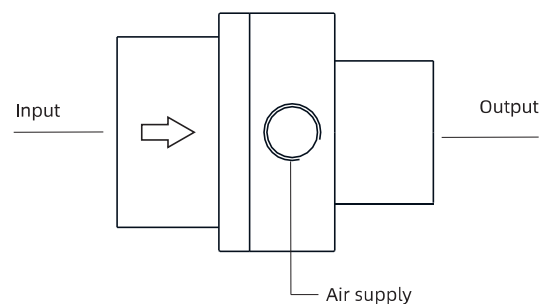
Applications

- ◇ Handling of loose materials such as textile and paper
- ◇ Conveying of grains such as wheat and corn
- ◇ Conveying of powder particles such as laundry detergent and plastic particles
- ◇ Removal of cutter chips during machining
- ◇ Suction of non-corrosive waste water and waste gas during industrial processing



Structure

- ◇ Straight-through design, can adsorb and transport different materials continuously
- ◇ Compressed air goes through the lateral annular gap



ACPS Series

Conveying Vacuum Generator

How to order

ACPS 10

① ②

① Series	② Nozzle diameter
ACPS	10 - ϕ 10mm 20 - ϕ 20mm 40 - ϕ 40mm 75 - ϕ 75mm

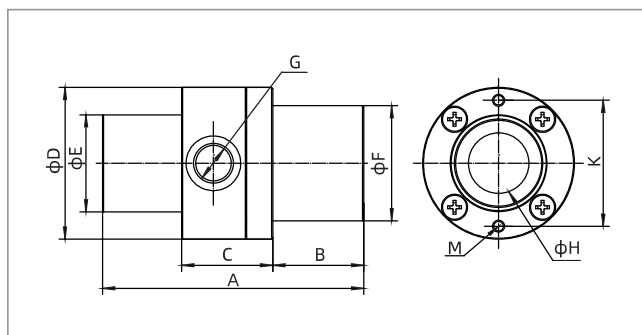
Selection

Model/Nozzle diameter	10	20	40	75
ACPS□	ACPS10	ACPS20	ACPS40	ACPS75

Technical parameters

Model	Nozzle diameter mm	Rated air supply pressure bar	Max. vacuum level -kPa	Max. vacuum flow NL/min	Air consumption NL/min	Working temperature °C	Weight g
ACPS10	10	5.0	12	550	140	-20~80	77
ACPS20	20	5.0	4	1,375	265	-20~80	189
ACPS40	40	5.0	2	2,250	470	-20~80	522
ACPS75	75	5.0	1	8,640	876	-20~80	2,308

Dimensions(mm)



ACPS

Model/Size	A	B	C	D	E	F	G	H	K	M
ACPS10	70	23	21	37	19	19	G1/8	10	29.0	2-M4×0.7
ACPS20	86	30	30	50	32	38	G1/4	20	41.5	2-M4×0.7
ACPS40	94	30	34	84	52	75	G3/8	40	72.0	2-M4×0.7
ACPS75	180	34	65	140	100	125	G1/2	75	126.0	2-M6×1