

# AGB Series

## Vacuum Generator



ELECTRONICS



METAL SHEET



PACKAGING

### Features

- ◇ Fast evacuation, high vacuum level, low air consumption
- ◇ Small size, simple structure, easy to install
- ◇ There are 3 vacuum ports with G1/8 female thread

### Advantages

- ◇ High efficient and energy-saving vacuum generator, can quickly reach the max. vacuum level
- ◇ Can be used in the occasions with limited space and weight, esay to install
- ◇ Can be directly connected to suction cups to save space

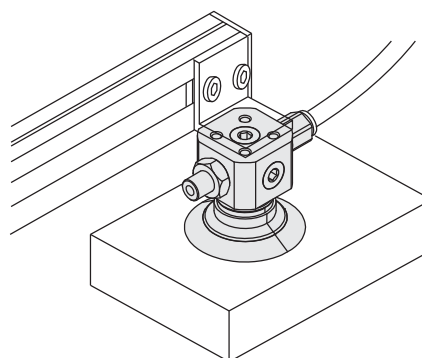


### Applications

- ◇ The occasions with limited installation space
- ◇ Applicable to the working conditions that require fast evacuation and low air consumption

### Structure

- ◇ Housing can be freely matched with vacuum cartridges with different performace parameters
- ◇ The air supply port is directly inserted into the  $\phi 4$  hose, the vacuum port is G1/8 female thread



### How to order

## AGB - S02-2

①                      ②

① Series	② Specification
AGB	S02 - 2 (-75kPa) X2.5 - 2 (-90kPa) T05 - 2 (-84kPa)

◇ Note: The standard mounting accessory is type C, other types should be ordered separately if needed

### Technical parameters

Model	Air supply pressure range bar	Max. vacuum level -kPa	Max. vacuum flow NL/min	Air consumption NL/min	Noise level dB(A)	Weight g	Recommended hose dia.(mm)	
							Air supply port	Vacuum port
AGB-S02-2	4.0~6.0	75	16.2	8.0	70	20	$\phi 4$	G1/8
AGB-X2.5-2	4.5~6.0	90	17.2	10.5	72	20	$\phi 4$	G1/8
AGB-T05-2	4.0~6.0	84	19.5	21.5	78	20	$\phi 4$	G1/8

# AGB Series

## Vacuum Generator



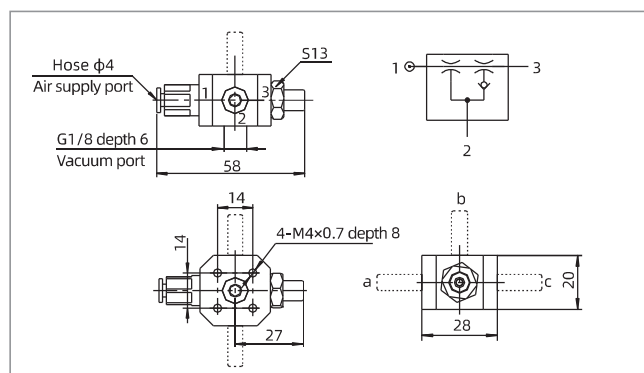
### Vacuum flow(NL/min) at different vacuum levels(-kPa)

Model	Air supply pressure bar	Air consumption NL/min	0	10	20	30	40	50	60	70	Max. vacuum level -kPa
AGB-S02-2	4.0	6.0	14.2	8.1	5.2	3.8	2.2	-	-	-	55
	5.0	7.0	15.7	10.0	5.5	4.5	3.4	2.2	-	-	70
	6.0	8.0	16.2	12.2	6.3	4.6	3.9	3.0	2.0	-	75
AGB-X2.5-2	4.5	9.0	14.9	9.9	4.8	4.1	3.3	2.6	1.7	-	85
	5.0	9.5	15.6	11.6	6.6	4.0	3.3	2.6	1.7	-	90
	6.0	10.0	17.2	14.2	9.3	4.5	3.3	2.3	1.4	-	89
AGB-T05-2	4.0	16.0	19.5	17.7	13.5	9.0	6.1	5.0	3.3	1.8	84
	6.0	21.5	18.7	17.4	15.1	13.1	9.7	6.0	2.7	1.8	75

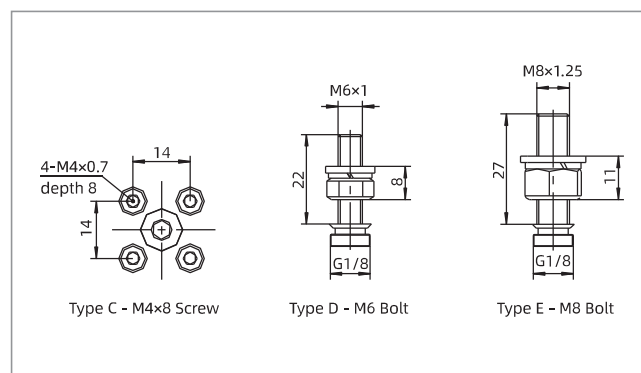
### Evacuation time(s/L) to reach different vacuum levels(-kPa)

Model	Air supply pressure bar	Air consumption NL/min	10	20	30	40	50	60	70	80	Max. vacuum level -kPa
AGB-S02-2	4.0	6.0	0.4	1.4	2.8	5.1	-	-	-	-	55
	5.0	7.0	0.3	1.2	2.5	4.1	6.6	11.1	-	-	70
	6.0	8.0	0.3	1.1	2.4	4.1	6.2	9.0	14.3	-	75
AGB-X2.5-2	4.5	9.0	0.4	1.3	3.2	4.6	6.5	9.8	15.3	25.70	85
	5.0	9.5	0.3	0.9	2.4	4.3	6.7	9.5	14.1	22.03	90
	6.0	10.0	0.2	0.7	1.7	3.7	5.9	9.5	14.5	22.41	89
AGB-T05-2	4.0	16.0	0.2	0.5	1.1	2.2	3.4	5.2	9.0	17.36	84
	6.0	21.5	0.2	0.5	0.9	1.5	2.6	4.7	7.7	16.09	75

### Dimensions(mm)



### Mounting accessories(mm)



AGB

◇ Note: Type D/E are optional for above drawing a/b/c. Default mounting accessory is type C for AGB series

### Mounting accessory selection

Item	Model	Model
AGB mounting accessory	Type C - 4-M4x8 Screw	Type D - M6 Bolt
	Type E - M8 Bolt	-

Vacuum Generator

AZK

AZX

AZD

AGS

AGB

AGP

AGX

AGE

ABM/ABX

ABM/ABX Combined Type

AMC

AM/AL/AH

AM/AL Combined Type

AMD

AZW

AZR

ABT

ABP

ABQ

AEVC

AZL

AZH

AZU

ACV

ASBP

ALS

ACP

ACPF

ACPS

APB