

AGE Series



Mechanical Energy-saving Vacuum Generator



GLASS



METAL SHEET

Features

- ◇ Mechanical energy saving mode, the generator itself automatically saves energy after the vacuum level reaches the set value, and then the air supply stops
- ◇ Optional energy saving function can save up to 99% of the air consumption
- ◇ Can adapt to a variety of working conditions, can work in dust and water environment
- ◇ Internal blow valve allows rapid release of workpiece and maintain vacuum in sealed applications in the event of system or power failure
- ◇ Internal filter is equipped to protect the device from dust and particles

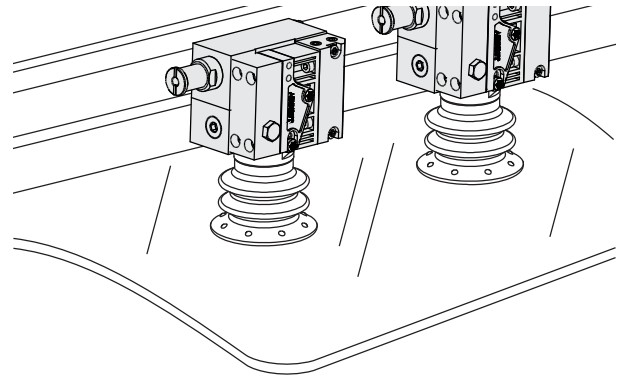
Advantages

- ◇ Energy-saving function is realized by the generator itself, electric control is not required
- ◇ Strong anti-pollution ability
- ◇ Energy-saving function, it can help customers to minimize the cost
- ◇ Two-stage generator, vacuum level can reach to -92kPa quickly



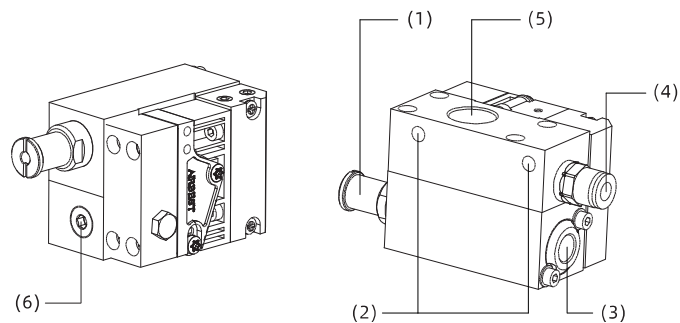
Applications

- ◇ Applicable to glass, metal sheet and other workpieces with good sealed surface
- ◇ Applicable to the occasions with water, dust and other places where the electric precision instrument can not work properly
- ◇ Suitable for glass grinding



Structure

- ◇ (1) Exhaust port
- ◇ (2) Mounting hole
- ◇ (3) Air supply port
- ◇ (4) Vacuum release port
- ◇ (5) Vacuum port
- ◇ (6) Vacuum detecting port



AGE Series

Mechanical Energy-saving Vacuum Generator



How to order

AGE - ES

① ②

① Series	② Control device
AGE	Nil - Default, without control device ES - Energy-saving system

Selection

Model/Control device	ES
AGE	AGE-ES

Technical parameters

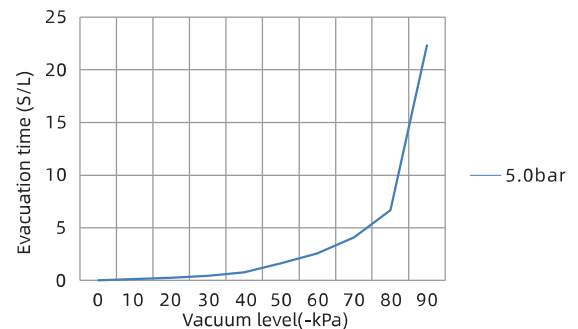
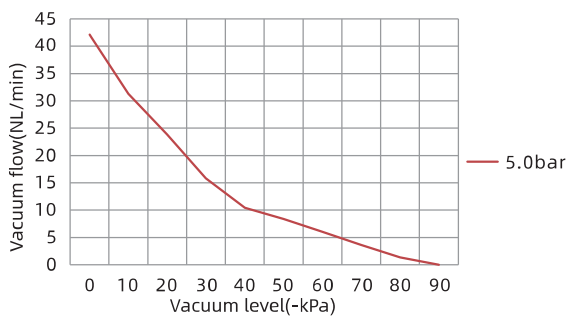
Model	Rated air supply pressure bar	Max.vacuum level -kPa	Max.vacuum flow NL/min	Noise level dB(A)	Weight g
AGE	5.0	92	41	68.5	177
AGE-ES	5.0	92	41	68.5	258

Vacuum flow(NL/min) at different vacuum levels(-kPa)

Model	Air supply pressure bar	Air consumption NL/min	Vacuum level (-kPa)											Max. vacuum level -kPa
			0	10	20	30	40	50	60	70	80	90		
AGE	5.0	29	42.1	31.3	23.8	15.8	10.4	8.4	6.0	3.6	1.3	0	92	

Evacuation time(s/L) to reach different vacuum levels(-kPa)

Model	Air supply pressure bar	Air consumption NL/min	Vacuum level (-kPa)											Max. vacuum level -kPa
			10	20	30	40	50	60	70	80	90			
AGE	5.0	29	0.14	0.28	0.47	0.79	1.64	2.59	4.09	6.68	22.32	92		



Vacuum Generator

AZK

AZX

AZD

AGS

AGB

AGP

AGX

AGE

ABM/ABX

ABM/ABX
Combined Type

AMC

AM/AL/AH

AM/AL
Combined Type

AMD

AZW

AZR

ABT

ABP

ABQ

AEVC

AZL

AZH

AZU

ACV

ASBP

ALS

ACP

ACPF

ACPS

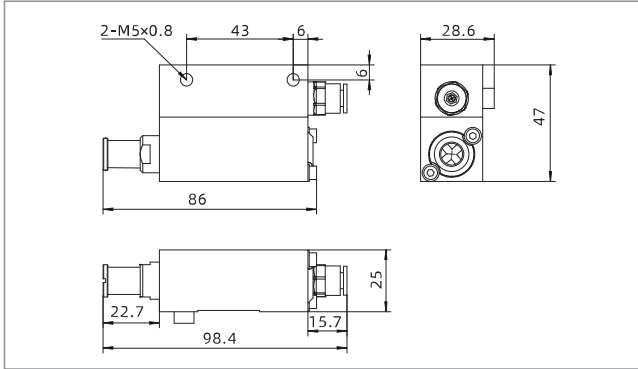
APB

AGE Series

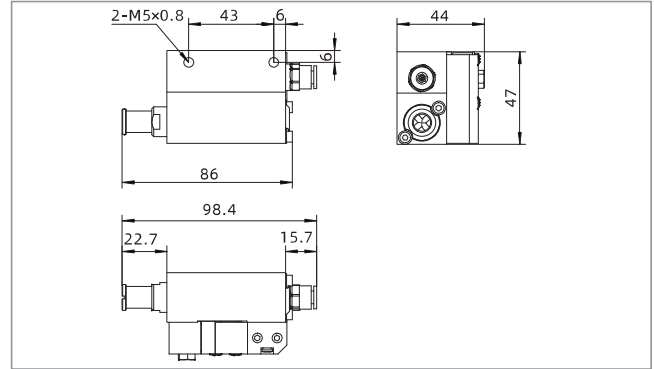


Mechanical Energy-saving Vacuum Generator

Dimensions(mm)

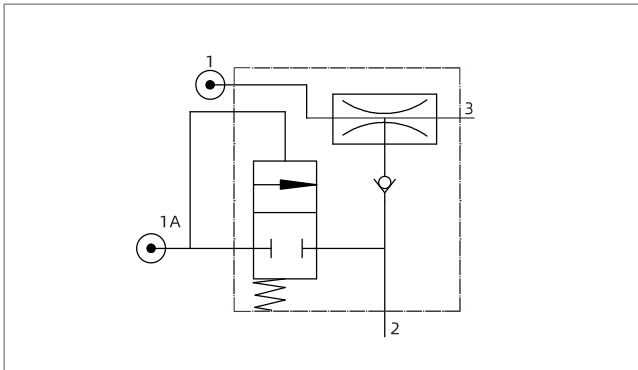


AGE

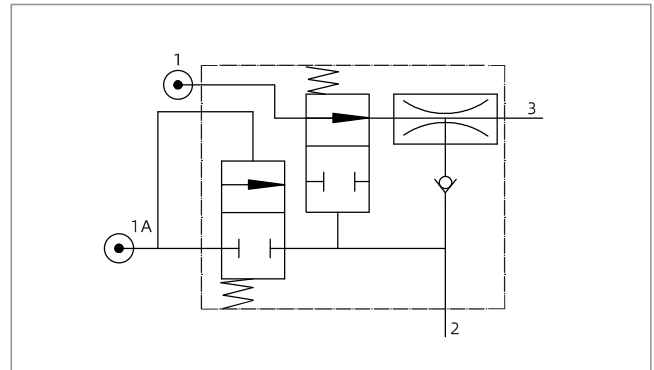


AGE-ES

Air circuit schematic diagram



AGE



AGE-ES