

AGS Series

Vacuum Generator



ELECTRONICS



METAL SHEET



PACKAGING

Features

- ◇ Fast suction, high vacuum degree, low air consumption
- ◇ The workpiece can be of airtight or porous material
- ◇ Dirt and dust resistance
- ◇ Small size, light weight, simple structure
- ◇ External silencer is optional

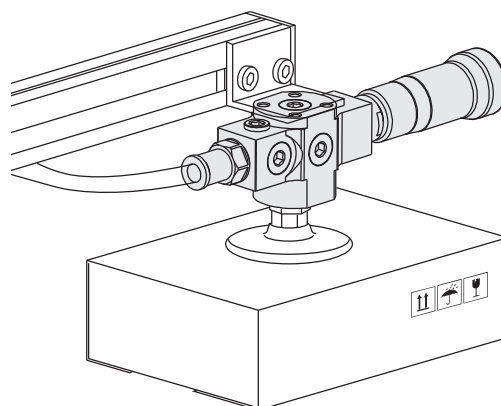
Advantages

- ◇ High efficient and energy-saving vacuum generator, it can reach the max. vacuum level quickly, effectively compensate air leakage
- ◇ Suitable vacuum generators can be selected according to different working conditions
- ◇ Long maintenance time, simple cleaning, no need tools
- ◇ Can be used in occasions with limited space and weight, easy to install
- ◇ Reduce product noise most



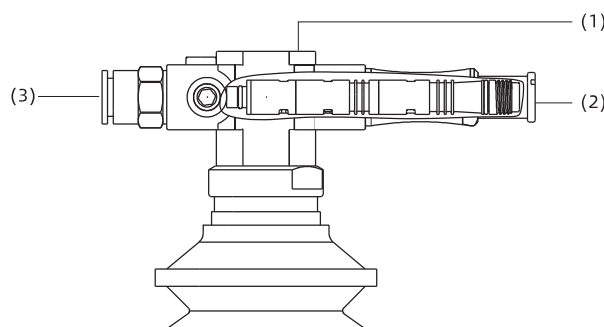
Applications

- ◇ The multistage vacuum generator is suitable for handling cartons, packaging materials and porous materials
- ◇ Applicable to the working conditions that require high vacuum flow, fast evacuation and low air consumption



Structure

- ◇ (1) Housing
- ◇ (2) Vacuum cartridge
- ◇ (3) Air supply port



AGS Series

Vacuum Generator

How to order

AGS - N - S08-2 - V - S
① ② ③ ④ ⑤

① Series	② Housing type	③ Specification	④ Non-return valve	⑤ Silencer
AGS	C (MICRO)	S02 - 2 X2.5 - 2 T05 - 2	Nil - Without non-return valve	Nil - Without silencer
	N (MINI)	S08 - 2 S08 - 3 X10 - 2 X10 - 3 P12 - 2 P12 - 3 D16 - 2	Nil - Without non-return valve V - With non-return valve	Nil - Without silencer S - With silencer ZSC8
	D (MIDI)	S32 - 2 S32 - 3 X40 - 2 X40 - 3	Nil - Without non-return valve V - With non-return valve	Nil - Without silencer S - With silencer ZSC16

Selection

Model/Non-return valve selection Nil - Without non-return valve		V - With non-return valve	
AGS-C-S02-2		-	
AGS-C-X2.5-2		-	
AGS-C-T05-2		-	
AGS-N-S08-2	AGS-N-S08-2-S	AGS-N-S08-2-V	AGS-N-S08-2-V-S
AGS-N-S08-3	AGS-N-S08-3-S	AGS-N-S08-3-V	AGS-N-S08-3-V-S
AGS-N-X10-2	AGS-N-X10-2-S	AGS-N-X10-2-V	AGS-N-X10-2-V-S
AGS-N-X10-3	AGS-N-X10-3-S	AGS-N-X10-3-V	AGS-N-X10-3-V-S
AGS-N-P12-2	AGS-N-P12-2-S	AGS-N-P12-2-V	AGS-N-P12-2-V-S
AGS-N-P12-3	AGS-N-P12-3-S	AGS-N-P12-3-V	AGS-N-P12-3-V-S
AGS-N-D16-2	AGS-N-D16-2-S	AGS-N-D16-2-V	AGS-N-D16-2-V-S
AGS-D-S32-2	AGS-D-S32-2-S	AGS-D-S32-2-V	AGS-D-S32-2-V-S
AGS-D-S32-3	AGS-D-S32-3-S	AGS-D-S32-3-V	AGS-D-S32-3-V-S
AGS-D-X40-2	AGS-D-X40-2-S	AGS-D-X40-2-V	AGS-D-X40-2-V-S
AGS-D-X40-3	AGS-D-X40-3-S	AGS-D-X40-3-V	AGS-D-X40-3-V-S

◇ Note: The mounting accessories are ordered separately except the default specification

AZK

AZX

AZD

AGS

AGB

AGP

AGX

AGE

ABM/ABX

ABM/ABX
Combined Type

AMC

AM/AL/AH

AM/AL
Combined Type

AMD

AZW

AZR

ABT

ABP

ABQ

AEVC

AZL

AZH

AZU

ACV

ASBP

ALS

ACP

ACPF

ACPS

APB

AGS-C Series

Vacuum Generator



Features

- ◇ Small size, simple structure, easy to install
- ◇ Vacuum port G1/8 female thread can be directly connected to the suction cup
- ◇ A variety of vacuum cartridges can be freely selected, suitable for different applications
- ◇ Multi-angle installation position and installation accessories are available for convenient installation



Technical parameters

Model	Air supply pressure range bar	Max. vacuum level -kPa	Max. vacuum flow NL/min	Air consumption NL/min	Noise level dB(A)	Weight g	Recommended hose dia.(mm)	
							Air supply port	Vacuum port
AGS-C-S02-2	4.0~6.0	75	16.2	8.0	70	20	φ4	G1/8
AGS-C-X2.5-2	4.5~6.0	90	17.2	10.5	72	20	φ4	G1/8
AGS-C-T05-2	4.0~6.0	84	19.5	21.5	78	20	φ4	G1/8

Vacuum flow(NL/min) at different vacuum levels(-kPa)

Model	Air supply pressure bar	Air consumption NL/min	Vacuum level (-kPa)								Max. vacuum level -kPa
			0	10	20	30	40	50	60	70	
AGS-C-S02-2	4.0	6.0	14.2	8.1	5.2	3.8	2.2	-	-	-	55
	5.0	7.0	15.7	10.0	5.5	4.5	3.4	2.2	-	-	70
	6.0	8.0	16.2	12.2	6.3	4.6	3.9	3.0	2.0	-	75
AGS-C-X2.5-2	4.5	9.0	14.9	9.9	4.8	4.1	3.3	2.6	1.7	-	85
	5.0	9.5	15.6	11.6	6.6	4.0	3.3	2.6	1.7	-	90
	6.0	10.0	17.2	14.2	9.3	4.5	3.3	2.3	1.4	-	89
AGS-C-T05-2	4.0	16.0	19.5	17.7	13.5	9.0	6.1	5.0	3.3	1.8	84
	6.0	21.5	18.7	17.4	15.1	13.1	9.7	6.0	2.7	1.8	75

Evacuation time(s/L) to reach different vacuum levels(-kPa)

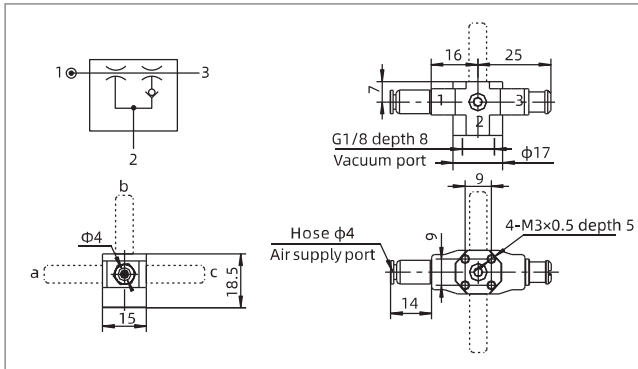
Model	Air supply pressure bar	Air consumption NL/min	Evacuation time (s/L)								Max. vacuum level -kPa
			10	20	30	40	50	60	70	80	
AGS-C-S02-2	4.0	6.0	0.4	1.4	2.8	5.1	-	-	-	-	55
	5.0	7.0	0.3	1.2	2.5	4.1	6.6	11.1	-	-	70
	6.0	8.0	0.3	1.1	2.4	4.1	6.2	9.0	14.3	-	75
AGS-C-X2.5-2	4.5	9.0	0.4	1.3	3.2	4.6	6.5	9.8	15.3	25.70	85
	5.0	9.5	0.3	0.9	2.4	4.3	6.7	9.5	14.1	22.03	90
	6.0	10.0	0.2	0.7	1.7	3.7	5.9	9.5	14.5	22.41	89
AGS-C-T05-2	4.0	16.0	0.2	0.5	1.1	2.2	3.4	5.2	9.0	17.36	84
	6.0	21.5	0.2	0.5	0.9	1.5	2.6	4.7	7.7	16.09	75

AGS-C Series

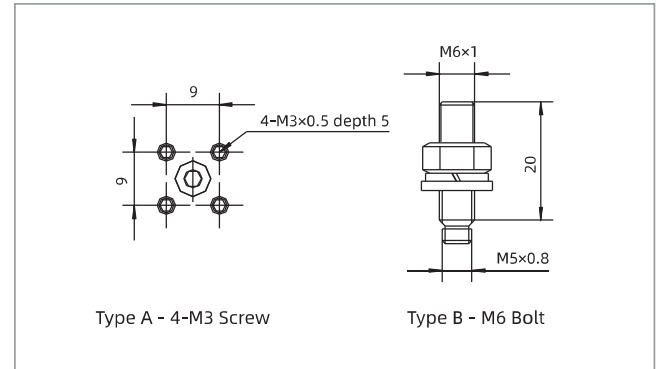
Vacuum Generator



Dimensions(mm)



Mounting accessory(mm)



AGS-C
 ◇ Note: Type B is optional for above drawing a/b/c. Default mounting accessory is type A for AGS-C series

Vacuum Generator

AZK

AZX

AZD

AGS

AGB

AGP

AGX

AGE

ABM/ABX

ABM/ABX
Combined Type

AMC

AM/AL/AH

AM/AL
Combined Type

AMD

AZW

AZR

ABT

ABP

ABQ

AEVC

AZL

AZH

AZU

ACV

ASBP

ALS

ACP

ACPF

ACPS

APB

AGS-N Series

Vacuum Generator



Features

- ◇ Small size, simple structure, easy to install
- ◇ Vacuum port G3/8 female thread can be directly connected to the suction cup
- ◇ A variety of vacuum cartridges can be freely selected, suitable for different applications
- ◇ Multi-angle installation position and installation accessories are available for convenient installation
- ◇ Exhaust port can be connected with external silencer



Technical parameters

Model	Air supply pressure range bar	Max. vacuum level -kPa	Max. vacuum flow NL/min	Air consumption NL/min	Noise level dB(A)	Weight g	Recommended hose dia.(mm)	
							Air supply port	Vacuum port
AGS-N-S08-2	4.0~6.0	75	46	27	62	23	φ6	G3/8
AGS-N-S08-3	4.0~6.0	75	68	27	68	37	φ6	G3/8
AGS-N-X10-2	4.5~6.0	93	44	34	78	23	φ6	G3/8
AGS-N-X10-3	4.5~6.0	93	68	34	74	37	φ6	G3/8
AGS-N-P12-2	1.7~4.0	90	42	33	68	23	φ6	G3/8
AGS-N-P12-3	1.7~4.0	90	68	33	71	37	φ6	G3/8
AGS-N-D16-2	6.0	72	40	46	77	23	φ6	G3/8

Vacuum flow(NL/min) at different vacuum levels(-kPa)

Model	Air supply pressure bar	Air consumption NL/min	Vacuum level (-kPa)										Max. vacuum level -kPa
			0	10	20	30	40	50	60	70	80		
AGS-N-S08-2	4.0	19.0	44.0	34.0	22.6	14.4	10.8	6.4	-	-	-	60	
	5.0	23.0	46.0	40.0	28.5	17.3	12.8	9.5	6.1	-	-	70	
	6.0	27.0	46.0	42.0	32.6	22.6	12.0	9.8	8.3	5.9	-	75	
AGS-N-S08-3	4.0	19.0	60.0	38.0	24.0	14.9	11.5	6.8	-	-	-	60	
	5.0	23.0	66.0	40.0	32.0	19.1	13.3	9.9	6.5	-	-	70	
	6.0	27.0	68.0	42.0	36.0	24.0	13.0	10.2	8.4	6.3	-	75	
AGS-N-X10-2	4.5	27.5	44.0	40.0	28.4	18.8	10.7	9.4	6.9	4.6	2.3	90	
	5.0	30.0	44.0	40.0	30.6	22.2	13.5	8.9	6.6	4.5	2.0	93	
	6.0	34.5	42.0	40.0	33.0	26.9	18.7	9.4	6.2	4.6	1.4	91	
AGS-N-X10-3	4.5	27.5	64.0	40.0	32.0	18.0	11.3	9.7	7.3	4.9	2.7	90	
	5.0	30.0	66.0	40.0	34.0	24.0	14.3	9.3	6.9	4.8	2.4	93	
	6.0	34.5	68.0	44.0	34.0	30.0	20.0	10.5	6.5	4.9	1.7	91	
AGS-N-P12-2	1.7	19.0	36.0	19.0	10.5	6.6	2.8	-	-	-	-	43	
	2.2	22.5	38.0	28.0	15.5	11.0	7.7	3.8	-	-	-	58	
	3.14	29.0	42.0	36.0	25.6	14.9	10.4	8.9	6.6	4.2	1.9	90	
	4.0	35.0	42.0	38.0	30.0	23.0	15.0	8.0	5.9	4.3	1.1	88	
AGS-N-P12-3	1.7	19.0	46.0	19.8	10.5	7.0	3.0	-	-	-	-	43	
	2.2	22.5	52.0	30.0	12.0	8.2	5.8	2.7	-	-	-	58	
	3.14	29.0	62.0	38.0	28.0	10.0	7.7	6.7	4.8	2.9	1.4	90	
	4.0	35.0	68.0	40.0	34.0	24.0	11.4	5.7	4.2	3.0	1.2	88	
AGS-N-D16-2	6.0	46.0	40.0	38.0	30.5	26.7	22.0	17.0	12.0	3.5	-	72	

AGS-N Series

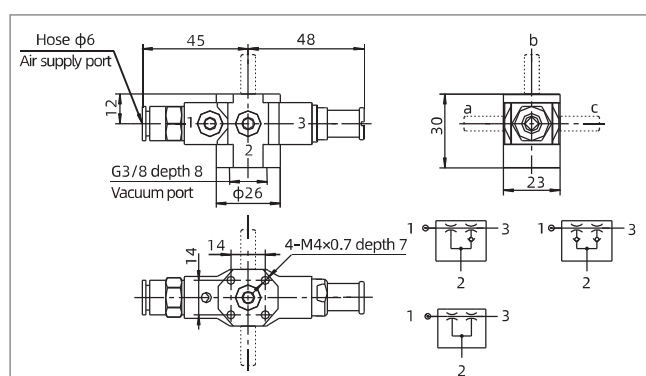
Vacuum Generator



Evacuation time(s/L) to reach different vacuum levels(-kPa)

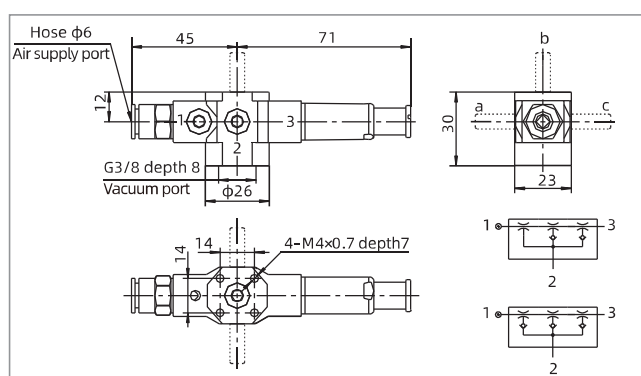
Model	Air supply pressure bar	Air consumption NL/min	10	20	30	40	50	60	70	80	Max. vacuum level -kPa
AGS-N-S08-2	4.0	19.0	0.07	0.25	0.56	1.02	1.89	5.24	-	-	60
	5.0	23.0	0.07	0.22	0.47	0.85	1.53	2.40	6.43	-	70
	6.0	27.0	0.07	0.20	0.39	0.74	1.35	2.14	3.35	-	75
AGS-N-S08-3	4.0	19.0	0.06	0.22	0.53	0.93	1.72	4.61	-	-	60
	5.0	23.0	0.06	0.19	0.44	0.83	1.35	2.23	6.33	-	70
	6.0	27.0	0.05	0.19	0.38	0.68	1.26	2.08	3.05	-	75
AGS-N-X10-2	4.5	27.5	0.11	0.27	0.52	0.98	1.65	2.41	3.87	6.20	90
	5.0	30.0	0.12	0.27	0.48	0.83	1.49	2.49	3.77	6.19	93
	6.0	34.5	0.12	0.26	0.45	0.72	1.21	2.33	3.68	6.35	91
AGS-N-X10-3	4.5	27.5	0.06	0.19	0.40	0.76	1.45	2.21	3.49	5.55	90
	5.0	30.0	0.05	0.19	0.37	0.66	1.26	2.14	3.45	5.60	93
	6.0	34.5	0.05	0.18	0.35	0.59	1.02	2.10	3.31	5.72	91
AGS-N-P12-2	1.7	19.0	0.15	0.55	1.26	2.90	-	-	-	-	43
	2.2	22.5	0.14	0.37	0.88	1.58	2.78	-	-	-	58
	3.14	29.0	0.12	0.29	0.59	1.07	1.86	2.66	4.33	6.72	90
	4.0	35.0	0.12	0.26	0.49	0.77	1.50	2.48	3.98	7.05	88
AGS-N-P12-3	1.7	19.0	0.13	0.52	1.22	2.75	-	-	-	-	43
	2.2	22.5	0.08	0.31	0.70	1.33	2.54	-	-	-	58
	3.14	29.0	0.06	0.21	0.45	0.94	1.58	2.40	3.83	6.07	90
	4.0	35.0	0.06	0.20	0.38	0.67	1.26	2.36	3.75	6.57	88
AGS-N-D16-2	6.0	46.0	0.04	0.18	0.39	0.62	0.95	1.47	3.10	-	72

Dimensions(mm)



AGS-N (MINI type 2 stages)

◇ Note: Type D/E are optional for above drawing a/b/c. Default mounting accessory is type C for AGS-N series



AGS-N (MINI type 3 stages)

Model selection

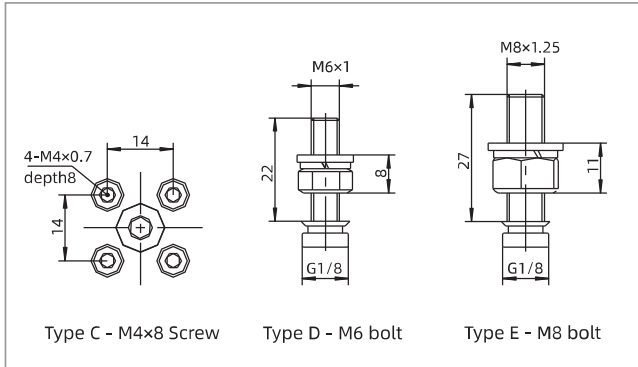
Housing	Vacuum cartridge
MINI type 2 stages	S08-2, X10-2, P12-2, D16-2
MINI type 3 stages	S08-3, X10-3, P12-3

AGS-N Series

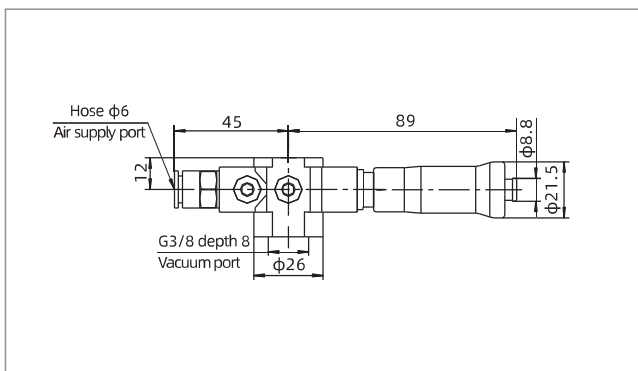
Vacuum Generator



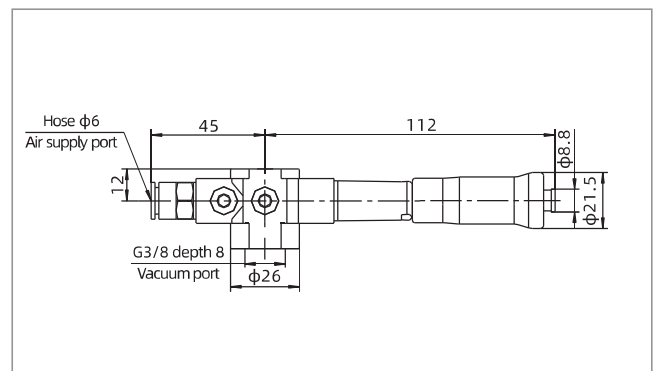
Mounting accessory(mm)



Silencer(mm)



MINI type 2 stages



MINI type 3 stages

Housing	Silencer
MINI type 2 stages	ZSC8
MINI type 3 stages	ZSC8

AGS-D Series

Vacuum Generator



Features

- ◇ Small size, simple structure, easy to install
- ◇ Vacuum port G1/2 female thread can be directly connected to the suction cup
- ◇ A variety of vacuum cartridges can be freely selected, suitable for different applications
- ◇ Multi-angle installation position and installation accessories are available for convenient installation
- ◇ Suitable for occasions requiring large vacuum flow
- ◇ Exhaust port can be connected with external silencer



Technical parameters

Model	Air supply pressure range bar	Max. vacuum level -kPa	Max. vacuum flow NL/min	Air consumption NL/min	Noise level dB(A)	Weight g	Recommended hose dia.(mm)	
							Air supply port	Vacuum port
AGS-D-S32-2	4.0~6.0	75	178.0	130.0	82	143	φ8	G1/2
AGS-D-S32-3	4.0~6.0	75	360.0	130.0	82	228	φ8	G1/2
AGS-D-X40-2	4.5~6.0	95	170.0	135.0	89	143	φ8	G1/2
AGS-D-X40-3	4.5~6.0	95	372.0	135.0	89	228	φ8	G1/2

Vacuum flow(NL/min) at different vacuum levels(-kPa)

Model	Air supply pressure bar	Air consumption NL/min	Max. vacuum level -kPa										
			0	10	20	30	40	50	60	70	80	90	
AGS-D-S32-2	4.0	120	172	136	92	60	44	26.2	10.5	-	-	-	60
	5.0	125	180	156	116	72	48	36.0	26.9	12.8	-	-	70
	6.0	130	178	164	134	94	50	38.0	32.0	18.3	-	-	75
AGS-D-S32-3	4.0	120	350	152	110	64	50	26.7	11.5	-	-	-	60
	5.0	125	370	185	125	90	50	36.2	27.3	13.9	-	-	70
	6.0	130	390	210	135	100	65	35.1	30.3	18.3	-	-	75
AGS-D-X40-2	4.5	120	170	136	100	58	40	36.0	25.0	17.8	11.7	3.1	91
	5.0	125	170	140	106	74	46	34.0	24.0	17.6	10.8	2.9	95
	6.0	135	162	142	116	92	68	40.0	22.5	17.8	9.4	2.3	94
AGS-D-X40-3	4.5	120	350	175	120	80	44	32.7	24.5	17.8	11.6	3.2	91
	5.0	125	360	190	125	95	65	36.0	26.0	17.6	10.8	2.8	95
	6.0	135	380	220	130	105	90	54.0	26.0	17.8	9.3	2.2	94

Evacuation time(s/L) to reach different vacuum levels(-kPa)

Model	Air supply pressure bar	Air consumption NL/min	Max. vacuum level -kPa							
			10	20	30	40	50	60	70	
AGS-D-S32-2	4.0	120	0.04	0.08	0.16	0.27	0.47	0.98	-	60
	5.0	125	0.04	0.08	0.14	0.25	0.39	0.63	1.17	70
	6.0	130	0.04	0.08	0.13	0.21	0.36	0.55	0.86	75
AGS-D-S32-3	4.0	120	0.03	0.08	0.15	0.26	0.44	0.94	-	60
	5.0	125	0.03	0.07	0.13	0.23	0.38	0.61	1.07	70
	6.0	130	0.03	0.05	0.10	0.18	0.36	0.56	0.87	75

Vacuum Generator

AZK

AZX

AZD

AGS

AGB

AGP

AGX

AGE

ABM/ABX

ABM/ABX Combined Type

AMC

AM/AL/AH

AM/AL Combined Type

AMD

AZW

AZR

ABT

ABP

ABQ

AEVC

AZL

AZH

AZU

ACV

ASBP

ALS

ACP

ACPF

ACPS

APB

AGS-D Series

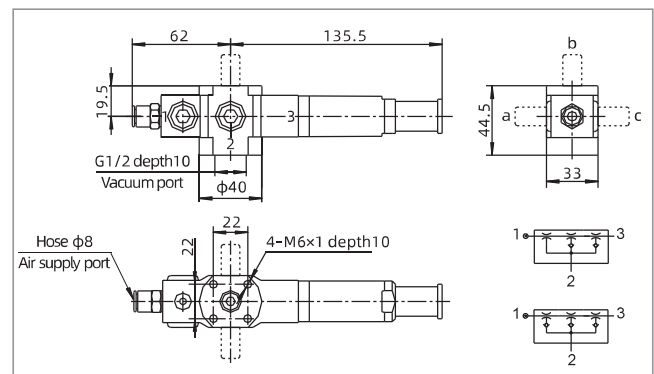
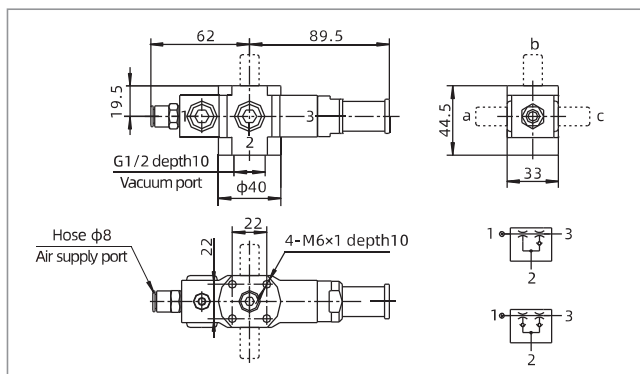
Vacuum Generator



Evacuation time(s/L) to reach different vacuum levels(-kPa)

Model	Air supply pressure bar	Air consumption NL/min	10	20	30	40	50	60	70	80	90	Max. vacuum level -kPa
AGS-D-X40-2	4.5	120	0.04	0.08	0.15	0.28	0.46	0.66	0.99	1.15	-	91
	5.0	125	0.04	0.08	0.14	0.24	0.41	0.66	1.02	1.52	3.27	95
	6.0	135	0.04	0.08	0.14	0.20	0.30	0.57	0.95	1.55	3.70	94
AGS-D-X40-3	4.5	120	0.03	0.07	0.13	0.23	0.38	0.63	0.97	1.50	3.25	91
	5.0	125	0.03	0.07	0.14	0.21	0.37	0.62	0.99	1.46	3.23	95
	6.0	135	0.03	0.05	0.10	0.16	0.27	0.47	0.86	1.45	3.92	94

Dimensions(mm)



AGS-D (MIDI type 2 stages)

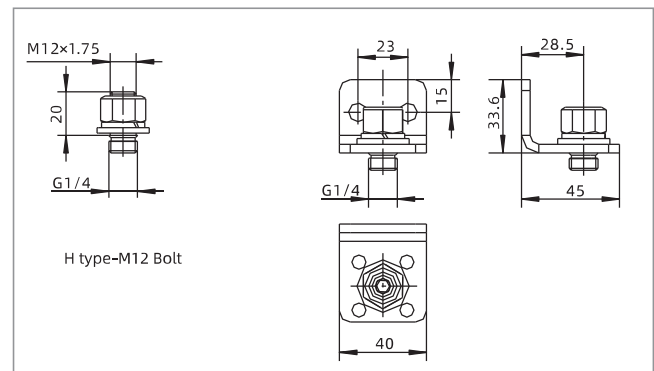
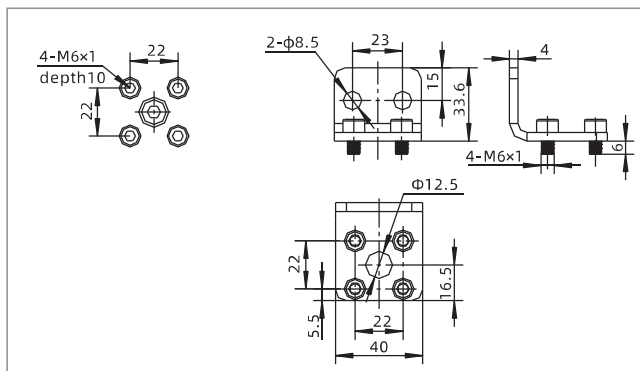
AGS-D (MIDI type 3 stages)

◇ Note: Type G/H/K are optional for above drawing a/b/c. Default mounting accessory is type F for AGS-D series

Model selection

Housing	Vacuum cartridge
MIDI type 2 stages	S32-2、X40-2
MIDI type 3 stages	S32-3、X40-3

Mounting accessory(mm)



Type F - M6 Screw

Type G - M6 Screw + L type bracket

Type H - M12 Bolt

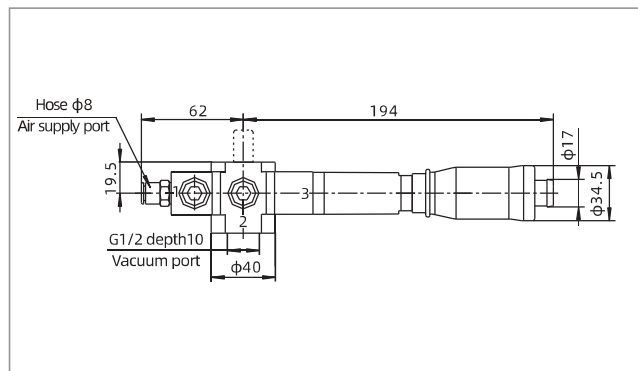
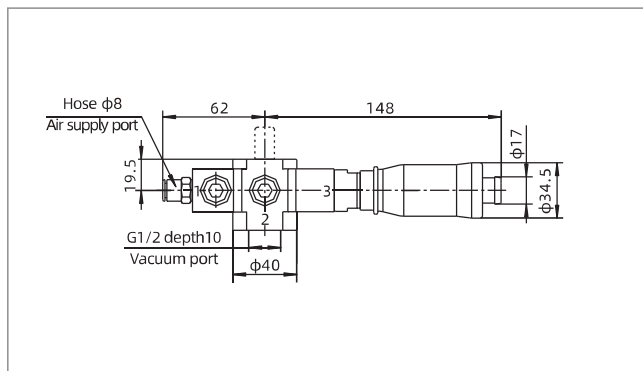
Type K - M12 Bolt + L type bracket

AGS-D Series

Vacuum Generator



Silencer(mm)



MIDI type 2 stages

MIDI type 3 stages

Housing	Silencer
MIDI type 2 stages	ZSC16
MIDI type 3 stages	ZSC16

Vacuum Generator

AZK

AZX

AZD

AGS

AGB

AGP

AGX

AGE

ABM/ABX

ABM/ABX
Combined Type

AMC

AM/AL/AH

AM/AL
Combined Type

AMD

AZW

AZR

ABT

ABP

ABQ

AEVC

AZL

AZH

AZU

ACV

ASBP

ALS

ACP

ACPF

ACPS

APB