

AGX Series

Vacuum Generator



ELECTRONICS



METAL SHEET



PACKAGING

Features

- ◇ Fast evacuation, high vacuum level, low air consumption
- ◇ Built-in vacuum cartridge
- ◇ Small size, simple structure, groove type installation structure
- ◇ There are 6 vacuum ports with G1/4 female thread

Advantages

- ◇ High efficient and energy-saving vacuum generator, can quickly reach the max. vacuum level
- ◇ The suitable vacuum generators can be selected according to different working conditions
- ◇ Simple installation structure, can be installed quickly
- ◇ Multiple suction cups can be connected at the same time
- ◇ Reduce product noise



Applications

- ◇ The working conditions where multiple suction cups are directly installed at the same time
- ◇ Applicable to the working conditions that require fast evacuation and low air consumption

Structure

- ◇ Housing can be freely matched with vacuum cartridges with different performance parameters
- ◇ The air supply port is directly inserted into the $\phi 8$ hose, the vacuum port is G1/4 female thread
- ◇ External silencer

How to order

AGX - S32-3
 ① ②

① Series	② Specification
AGX	S32-3 (-75kPa) X40-3 (-95kPa)

AGX Series

Vacuum Generator



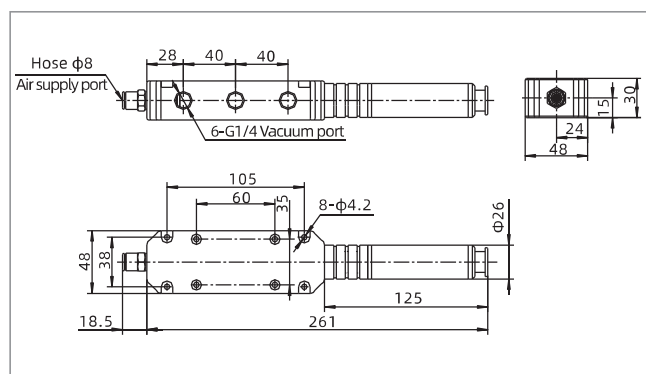
Vacuum flow(NL/min) at different vacuum levels(-kPa)

Model	Air supply pressure bar	Air consumption NL/min	0	10	20	30	40	50	60	70	80	90	Max. vacuum level -kPa
AGX-S32-3	4.0	120	350	152	110	64	50	26.7	11.5	-	-	-	60
	5.0	125	370	185	125	90	50	36.2	27.3	13.9	-	-	70
	6.0	130	390	210	135	100	65	35.1	30.3	18.3	-	-	75
AGX-X40-3	4.5	120	350	175	120	80	44	32.7	24.5	17.8	11.6	3.2	91
	5.0	125	360	190	125	95	65	36.0	26.0	17.6	10.8	2.8	95
	6.0	135	380	220	130	105	90	54.0	26.0	17.8	9.3	2.2	94

Evacuation time(s/L) to reach different vacuum levels(-kPa)

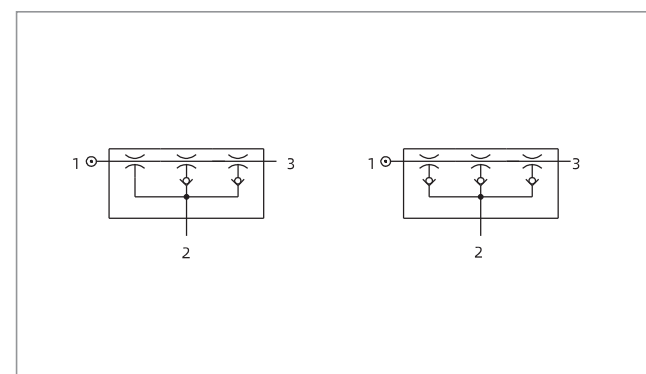
Model	Air supply pressure bar	Air consumption NL/min	10	20	30	40	50	60	70	80	90	Max. vacuum level -kPa
AGX-S32-3	4.0	120	0.03	0.08	0.15	0.26	0.44	11.5	-	-	-	60
	5.0	125	0.03	0.07	0.13	0.23	0.38	27.3	1.07	-	-	70
	6.0	130	0.03	0.05	0.10	0.18	0.36	30.3	0.87	-	-	75
AGX-X40-3	4.5	120	0.03	0.07	0.13	0.23	0.38	24.5	0.97	1.50	3.25	91
	5.0	125	0.03	0.07	0.14	0.21	0.37	26.0	0.99	1.46	3.23	95
	6.0	135	0.03	0.05	0.10	0.16	0.27	26.0	0.86	1.45	3.92	94

Dimensions(mm)



AGX

AGX Air circuit schematic diagram



◇ Note: 1. Air supply port, 2. Vacuum port, 3. Exhaust port

Vacuum Generator

AZK

AZX

AZD

AGS

AGB

AGP

AGX

AGE

ABM/ABX

ABM/ABX Combined Type

AMC

AM/AL/AH

AM/AL Combined Type

AMD

AZW

AZR

ABT

ABP

ABQ

AEVC

AZL

AZH

AZU

ACV

ASBP

ALS

ACP

ACPF

ACPS

APB