

ALS Series

Linear Single Stage Vacuum Generator



UNIVERSAL

Features

- ◇ It is installed directly between suction cup and compressed air source
- ◇ Aluminum alloy body, small size, light weight

Advantages

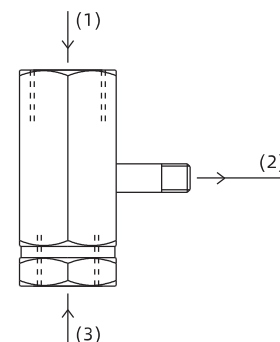
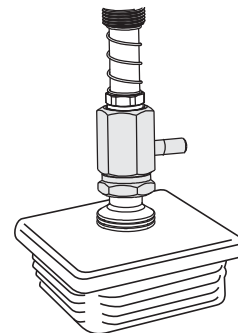
- ◇ No need to connect PU hose, it can directly produce vacuum at the working site
- ◇ Saving space, suitable for installation occasions with small space and fast movement

Applications

- ◇ The linear vacuum generator is connected with the suction cup and the compressed air source directly, which can reduce the evacuation time
- ◇ Suitable for a variety of handling process, such as industrial robots and feeding systems

Structure

- ◇ (1) Air supply port
- ◇ (2) Exhaust port
- ◇ (3) Vacuum port



AZK

AZX

AZD

AGS

AGB

AGP

AGX

AGE

ABM/ABX

ABM/ABX
Combined Type

AMC

AM/AL/AH

AM/AL
Combined Type

AMD

AZW

AZR

ABT

ABP

ABQ

AEVC

AZL

AZH

AZU

ACV

ASBP

ALS

ACP

ACPF

ACPS

APB

ALS Series

Linear Single Stage Vacuum Generator



How to order

ALS - M5F

①

②

① Series	② Vacuum port connection thread
ALS	M5F - M5×0.8 female thread G1F - G1/8 female thread G2F - G1/4 female thread

Selection

Model/ Vacuum port connection thread M5F	G1F	G2F
ALS-M5F	ALS-G1F	ALS-G2F

Technical parameters

Model	Rated air supply pressure bar	Max.vacuum level -kPa	Max.vacuum flow NL/min	Air consumption NL/min	Noise level dB(A)	Weight g
ALS-M5F	5.0	85	14.4	42	80	18
ALS-G1F	5.0	85	14.4	42	80	22
ALS-G2F	5.0	85	14.4	42	80	21

ALS Series

Linear Single Stage Vacuum Generator

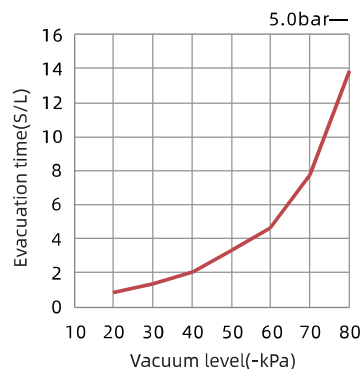
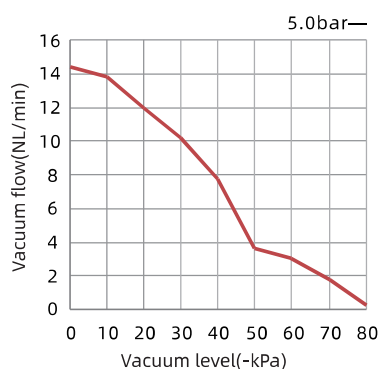


Vacuum flow(NL/min) at different vacuum levels(-kPa)

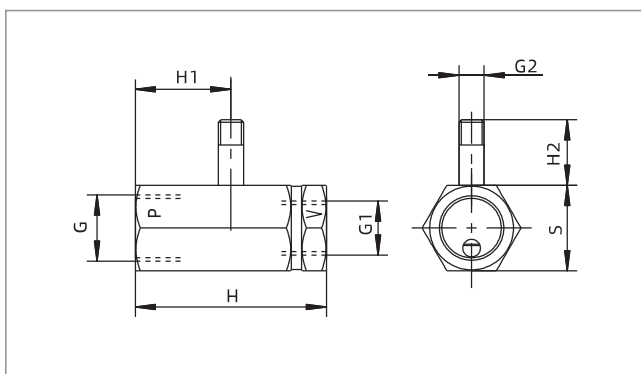
Model	Air supply pressure bar	Air consumption NL/min	0	10	20	30	40	50	60	70	80	Max. vacuum level -kPa
ALS	5.0	42	14.40	13.80	12.00	10.20	7.80	3.60	3.00	1.80	0.24	85

Evacuation time(s/L) to reach different vacuum levels(-kPa)

Model	Air supply pressure bar	Air consumption NL/min	10	20	30	40	50	60	70	80	Max. vacuum level -kPa
ALS	5.0	42	0.39	0.79	1.34	2.06	3.32	4.62	7.71	13.97	85



Dimensions(mm)



ALS

Model/size	H	H1	H2	G	G1	G2	S
ALS-M5F	30	15	13	G1/4	M5×0.8	M5×0.8	17
ALS-G1F	35	17.5	13	G1/4	G1/8	M5×0.8	17
ALS-G2F	38	19	13	G1/4	G1/4	M5×0.8	17

Vacuum Generator

AZK

AZX

AZD

AGS

AGB

AGP

AGX

AGE

ABM/ABX

ABM/ABX Combined Type

AMC

AM/ALAH

AM/AL Combined Type

AMD

AZW

AZR

ABT

ABP

ABQ

AEVC

AZL

AZH

AZU

ACV

ASBP

ALS

ACP

ACPF

ACPS

APB