

AMC Series

Multistage Vacuum Generator

AIRBEST



METAL SHEET



PACKAGING



WOOD



COMPOSITE MATERIAL



Features

- ◇ High efficient and energy-saving multistage nozzle design
- ◇ Large vacuum flow
- ◇ Internal vacuum cartridges can be stacked assembly
- ◇ Various specifications of air supply port and vacuum port
- ◇ Energy-saving control device is optional

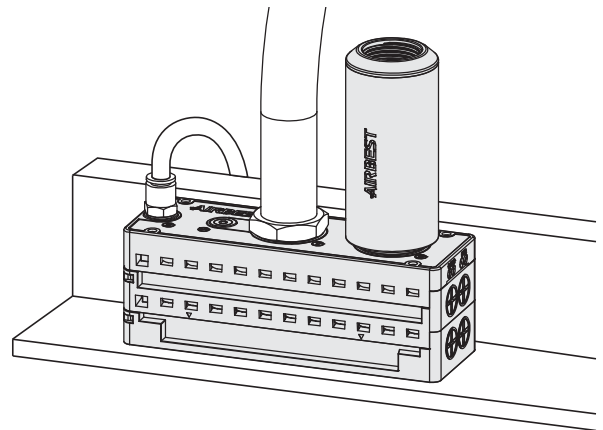
Advantages

- ◇ Quick evacuation in low vacuum level range, reduce cost and shorten working cycle
- ◇ Producing large vacuum flow to handle porous workpieces fast and safely
- ◇ It can meet different requirements of vacuum flow in different working conditions
- ◇ It can be connected with different threads
- ◇ It is energy-saving when handling airtight workpieces



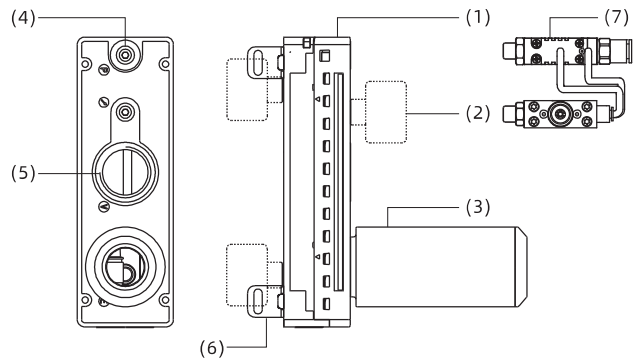
Applications

- ◇ The multistage vacuum generator is suitable for handling cartons, packaging materials and porous materials
- ◇ It is used in the working condition requiring large vacuum flow, fast evacuation speed and less air consumption



Structure

- ◇ (1) Main body
- ◇ (2) Vacuum gauge
- ◇ (3) Silencer
- ◇ (4) Air supply port
- ◇ (5) Vacuum port
- ◇ (6) L-type mounting bracket
- ◇ (7) ES energy saving system



AMC Series

Multistage Vacuum Generator

How to order

AMC 25 L - AA - V - ES
 ① ② ③ ④ ⑤ ⑥

① Series	② Specification	③ Performance	④ Connection plate	⑤ Non-return valve	⑥ Control device
AMC	25	H - High vacuum level	AA	Nil - Default, without	Nil - Default, Without control device
	50	(-95kPa)	BA	non-return valve	ES - Energy saving system
	75	L - Large vacuum flow	CA	V - With non-return valve	
	100	(-75kPa)	DB		
	125		CC		
	150				

Connection plate specifications

Connection plate	Air supply port ⁽¹⁾	Vacuum port ⁽²⁾	Exhaust port ⁽³⁾	Applicable vacuum generator
AA	G1/8	G3/4	G1"	AMC25, 50
BA	NPSF1/8	G3/4	G1"	AMC25, 50
CA	G1/4	G3/4	G1"	AMC25, 50, 75, 100
DB	NPT1/4	NPT3/4	G1"	AMC25, 50, 75, 100
CC	G1/4	G1"	G1"	AMC25, 50, 75, 100, 125, 150

Selection - L (Large Vacuum flow type)

Model/ Specification	25	50	75	100	125	150
AMC□L-AA	AMC25L-AA	AMC50L-AA	-	-	-	-
AMC□L-AA-V	AMC25L-AA-V	AMC50L-AA-V	-	-	-	-
AMC□L-AA-V-ES	AMC25L-AA-V-ES	AMC50L-AA-V-ES	-	-	-	-
AMC□L-BA	AMC25L-BA	AMC50L-BA	-	-	-	-
AMC□L-BA-V	AMC25L-BA-V	AMC50L-BA-V	-	-	-	-
AMC□L-CA	AMC25L-CA	AMC50L-CA	AMC75L-CA	AMC100L-CA	-	-
AMC□L-CA-V	AMC25L-CA-V	AMC50L-CA-V	AMC75L-CA-V	AMC100L-CA-V	-	-
AMC□L-CA-V-ES	AMC25L-CA-V-ES	AMC50L-CA-V-ES	AMC75L-CA-V-ES	AMC100L-CA-V-ES	-	-
AMC□L-DB	AMC25L-DB	AMC50L-DB	AMC75L-DB	AMC100L-DB	-	-
AMC□L-DB-V	AMC25L-DB-V	AMC50L-DB-V	AMC75L-DB-V	AMC100L-DB-V	-	-
AMC□L-CC	AMC25L-CC	AMC50L-CC	AMC75L-CC	AMC100L-CC	AMC125L-CC	AMC150L-CC
AMC□L-CC-V	AMC25L-CC-V	AMC50L-CC-V	AMC75L-CC-V	AMC100L-CC-V	AMC125L-CC-V	AMC150L-CC-V
AMC□L-CC-V-ES	AMC25L-CC-V-ES	AMC50L-CC-V-ES	AMC75L-CC-V-ES	AMC100L-CC-V-ES	AMC125L-CC-V-ES	AMC150L-CC-V-ES

AMC Series

Multistage Vacuum Generator



Selection - H (High vacuum level type)

Model/ Specification	25	50	75	100	125	150
AMC□H-AA	AMC25H-AA	AMC50H-AA	-	-	-	-
AMC□H-AA-V	AMC25H-AA-V	AMC50H-AA-V	-	-	-	-
AMC□H-AA-V-ES	AMC25H-AA-V-ES	AMC50H-AA-V-ES	-	-	-	-
AMC□H-BA	AMC25H-BA	AMC50H-BA	-	-	-	-
AMC□H-BA-V	AMC25H-BA-V	AMC50H-BA-V	-	-	-	-
AMC□H-CA	AMC25H-CA	AMC50H-CA	AMC75H-CA	AMC100H-CA	-	-
AMC□H-CA-V	AMC25H-CA-V	AMC50H-CA-V	AMC75H-CA-V	AMC100H-CA-V	-	-
AMC□H-CA-V-ES	AMC25H-CA-V-ES	AMC50H-CA-V-ES	AMC75H-CA-V-ES	AMC100H-CA-V-ES	-	-
AMC□H-DB	AMC25H-DB	AMC50H-DB	AMC75H-DB	AMC100H-DB	-	-
AMC□H-DB-V	AMC25H-DB-V	AMC50H-DB-V	AMC75H-DB-V	AMC100H-DB-V	-	-
AMC□H-CC	AMC25H-CC	AMC50H-CC	AMC75H-CC	AMC100H-CC	AMC125H-CC	AMC150H-CC
AMC□H-CC-V	AMC25H-CC-V	AMC50H-CC-V	AMC75H-CC-V	AMC100H-CC-V	AMC125H-CC-V	AMC150H-CC-V
AMC□H-CC-V-ES	AMC25H-CC-V-ES	AMC50H-CC-V-ES	AMC75H-CC-V-ES	AMC100H-CC-V-ES	AMC125H-CC-V-ES	AMC150H-CC-V-ES

Technical parameters

Model	Rated air supply pressure bar	Max. vacuum level -kPa	Max. vacuum flow NL/min	Air consumption NL/min	Noise level dB(A)	Working temperature °C	Weight g	Vacuum chamber volume cm ³	Recommended hose dia. mm	
									Air supply port P	Vacuum port V
AMC25L	6.0	75	360	130	63~68	-10~80	430	140	φ8	φ25
AMC50L	6.0	75	710	260	63~68	-10~80	435	140	φ8	φ25
AMC75L	6.0	75	1,050	390	63~68	-10~80	625	245	φ10	φ32
AMC100L	6.0	75	1,410	520	63~68	-10~80	630	245	φ10	φ32
AMC125L	6.0	75	1,500	650	63~68	-10~80	825	352	φ12	φ32
AMC150L	6.0	75	1,690	780	63~68	-10~80	830	352	φ12	φ32
AMC25H	5.0	95	354	135	63~68	-10~80	430	140	φ8	φ25
AMC50H	5.0	95	700	270	63~68	-10~80	435	140	φ8	φ25
AMC75H	5.0	95	980	405	63~68	-10~80	625	245	φ10	φ32
AMC100H	5.0	95	1,380	540	63~68	-10~80	630	245	φ10	φ32
AMC125H	5.0	95	1,480	675	63~68	-10~80	825	352	φ12	φ32
AMC150H	5.0	95	1,650	810	63~68	-10~80	830	352	φ12	φ32

Vacuum flow(NL/min) at different vacuum levels(-kPa)

Model	Air supply pressure bar	Air consumption NL/min	0	10	20	30	40	50	60	70	Max. vacuum level -kPa
AMC25L	6.0	130	360	210	156	102	54	36	30	21	75
AMC50L	6.0	260	710	420	312	204	108	72	60	42	75
AMC75L	6.0	390	1,050	630	468	306	162	108	90	66	75
AMC100L	6.0	520	1,410	840	624	408	216	144	120	84	75
AMC125L	6.0	650	1,500	948	744	510	270	180	150	126	75
AMC150L	6.0	780	1,690	1,074	888	612	324	216	180	132	75

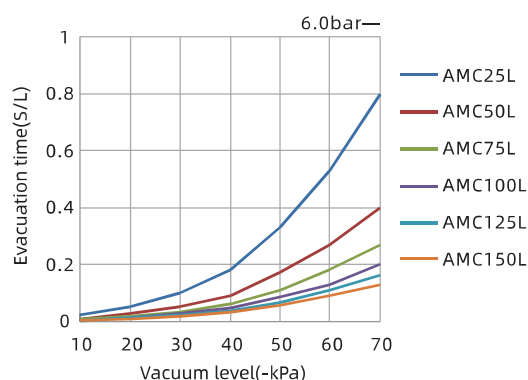
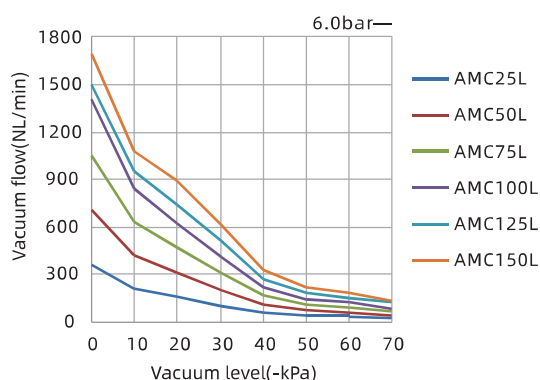
AMC Series

Multistage Vacuum Generator



Evacuation time(s/L) to reach different vacuum levels(-kPa)

Model	Air supply pressure bar	Air consumption NL/min	10	20	30	40	50	60	70	Max. vacuum level -kPa
AMC25L	6.0	130	0.020	0.050	0.100	0.180	0.330	0.530	0.800	75
AMC50L	6.0	260	0.010	0.025	0.050	0.090	0.170	0.270	0.400	75
AMC75L	6.0	390	0.007	0.017	0.033	0.060	0.110	0.180	0.270	75
AMC100L	6.0	520	0.005	0.013	0.025	0.045	0.083	0.130	0.200	75
AMC125L	6.0	650	0.005	0.012	0.022	0.036	0.066	0.110	0.160	75
AMC150L	6.0	780	0.004	0.010	0.018	0.030	0.055	0.090	0.130	75



Vacuum flow(NL/min) at different vacuum levels(-kPa)

Model	Air supply pressure bar	Air consumption NL/min	0	10	20	30	40	50	60	70	80	90	Max. vacuum level -kPa
AMC25H	5.0	135	354	180	120	78	43.8	34.8	25.8	19.2	10.8	1.8	95
AMC50H	5.0	270	700	360	240	156	87.6	69.6	51.6	38.4	21.6	3.6	95
AMC75H	5.0	405	980	540	360	234	131.4	104.4	77.4	57.6	32.4	5.4	95
AMC100H	5.0	540	1,380	720	480	312	175.2	139.2	103.2	76.8	43.2	7.2	95
AMC125H	5.0	675	1,480	810	570	390	219.0	174.0	129.0	96.0	54.0	9.0	95
AMC150H	5.0	810	1,650	918	684	468	262.8	206.4	154.8	115.2	64.8	10.8	95

Evacuation time(s/L) to reach different vacuum levels(-kPa)

Model	Air supply pressure bar	Air consumption NL/min	10	20	30	40	50	60	70	80	90	Max. vacuum level -kPa
AMC25H	5.0	135	0.022	0.062	0.120	0.220	0.37	0.57	0.84	1.20	2.20	95
AMC50H	5.0	270	0.011	0.031	0.060	0.110	0.19	0.29	0.42	0.60	1.10	95
AMC75H	5.0	405	0.007	0.021	0.040	0.070	0.12	0.19	0.28	0.40	0.73	95
AMC100H	5.0	540	0.006	0.016	0.030	0.055	0.09	0.14	0.21	0.30	0.55	95
AMC125H	5.0	675	0.005	0.014	0.026	0.044	0.07	0.11	0.17	0.24	0.44	95
AMC150H	5.0	810	0.005	0.012	0.022	0.040	0.06	0.10	0.14	0.20	0.37	95

Vacuum Generator

AZK

AZX

AZD

AGS

AGB

AGP

AGX

AGE

ABM/ABX

ABM/ABX Combined Type

AMC

AM/AL/AH

AM/AL Combined Type

AMD

AZW

AZR

ABT

ABP

ABQ

AEEVC

AZL

AZH

AZU

ACV

ASBP

ALS

ACP

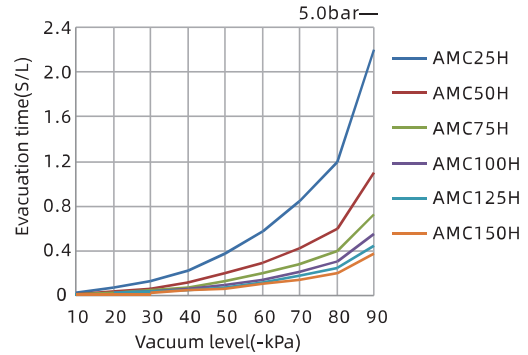
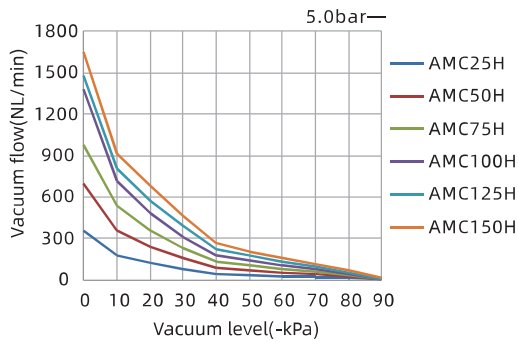
ACPF

ACPS

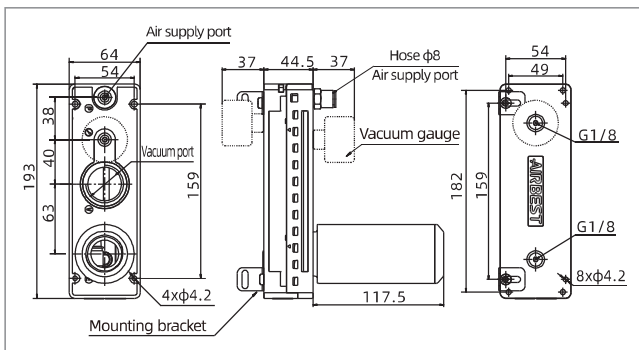
APB

AMC Series

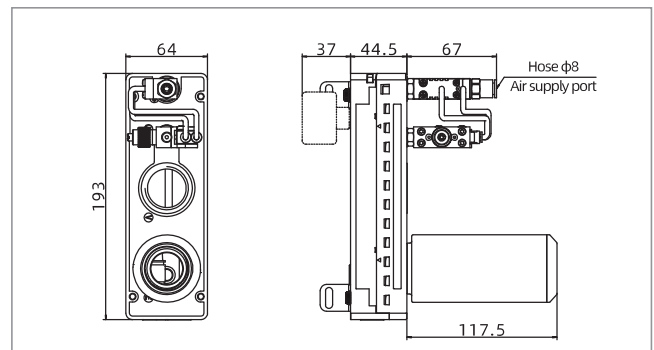
Multistage Vacuum Generator



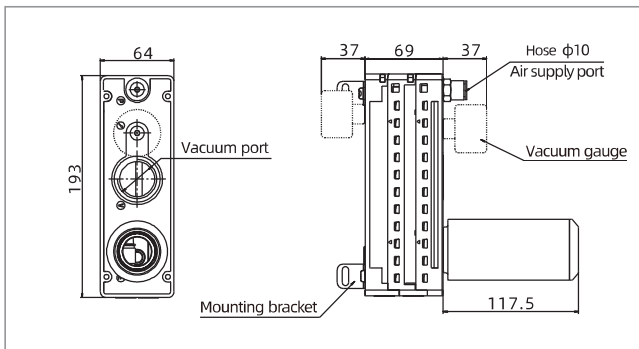
Dimensions(mm)



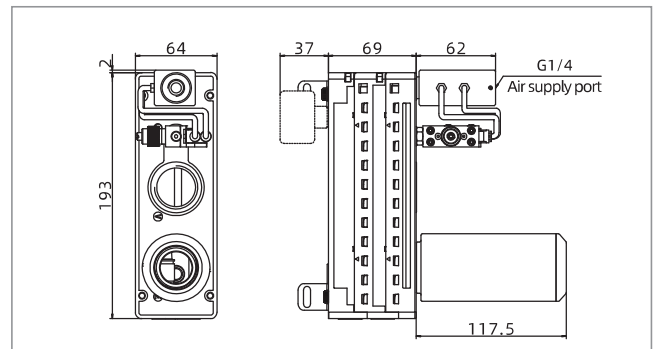
AMC25-50



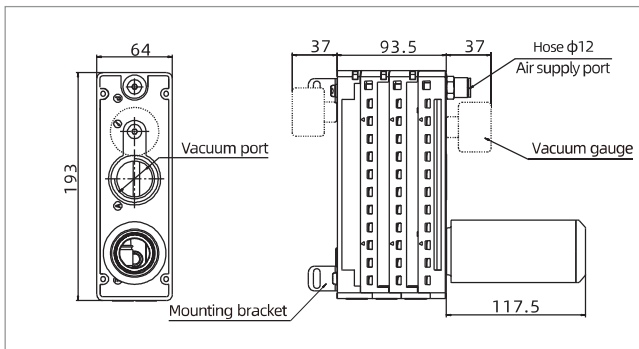
AMC25□-□-V-ES AMC50□-□-V-ES



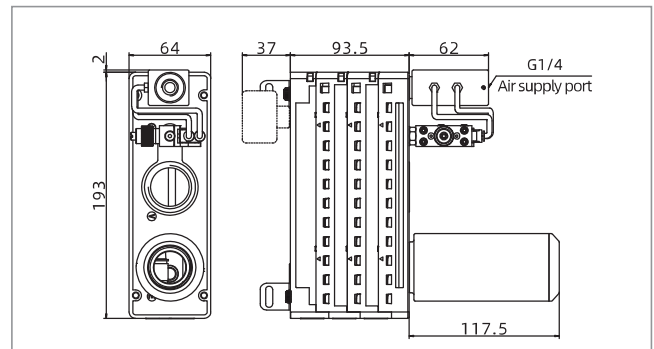
AMC75-100



AMC75□-□-V-ES AMC100□-□-V-ES



AMC125-150



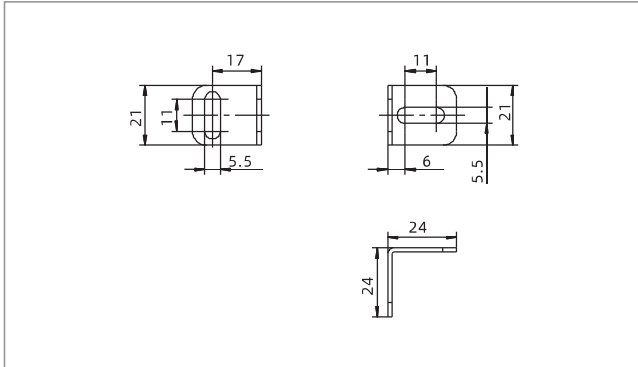
AMC125□-□-V-ES AMC150□-□-V-ES

AMC Series

Multistage Vacuum Generator

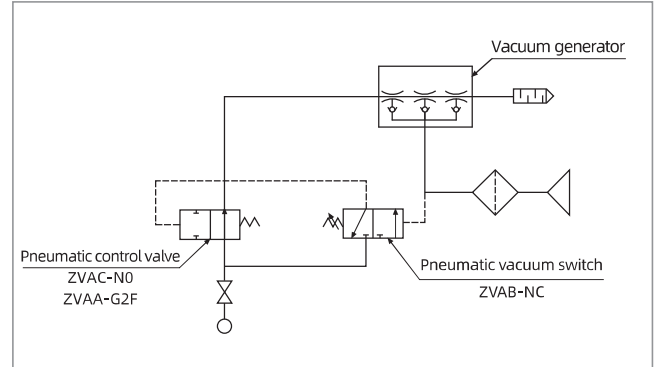


Dimensions(mm)



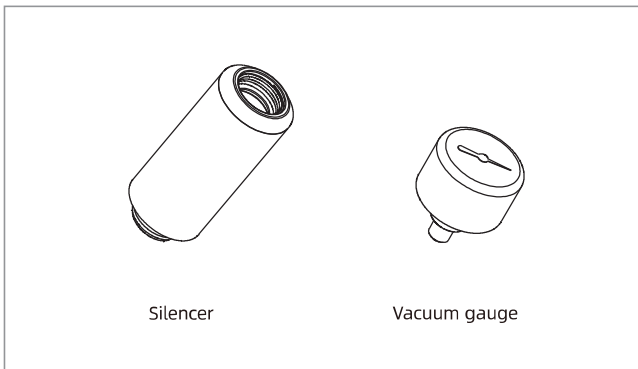
L type mounting bracket

Air circuit schematic diagram



ES Energy saving system

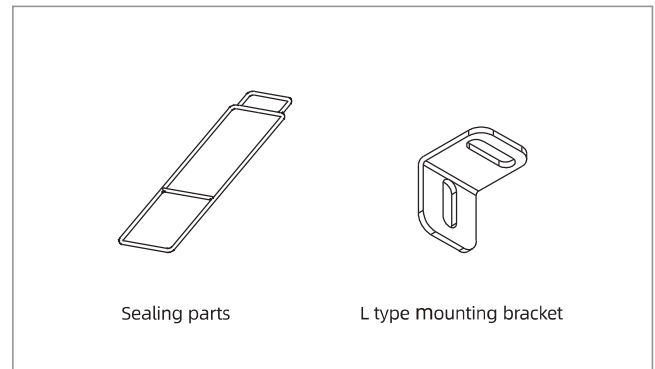
Accessory selection



Silencer

Vacuum gauge

Mounting accessories



Sealing parts

L type mounting bracket

Mounting accessories

Item	Model	Remark
Silencer	ZSA-G8M	-
Vacuum gauge	ZPMR-V	-
Sealing ring	AMC50-R6	AMC25, 50/1 AMC75, 100/2 AMC125, 150/3
Mounting accessory kit	AMC50-R(2 brackets + 4 Screws + 1 φ8 one-touch fitting)	AMC25, 50-AA
Mounting accessory kit	AMC100-R(2 brackets + 4 Screws + 1 φ10 one-touch fitting)	AMC25, 50, 75, 100-CA / AMC25, 50, 75, 100-CC
Mounting accessory kit	AMC150-R(2 brackets + 4 Screws + 1 φ12 one-touch fitting)	AMC125, 150-CC

◇ Note: The mounting accessory kit includes 2 L-type brackets and 4 screws for the connection plate BA and DB

Vacuum Generator

AZK

AZX

AZD

AGS

AGB

AGP

AGX

AGE

ABM/ABX

ABM/ABX
Combined Type

AMC

AM/AL/AH

AM/AL
Combined Type

AMD

AZW

AZR

ABT

ABP

ABQ

AEVC

AZL

AZH

AZU

ACV

ASBP

ALS

ACP

ACPF

ACPS

APB