

AZD Series

Energy-saving Vacuum Generator



UNIVERSAL

Features

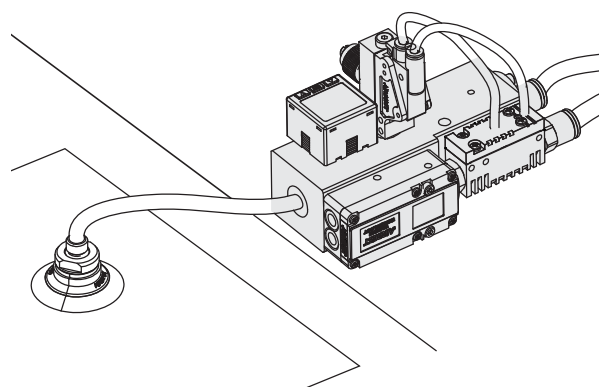
- ◇ Multistage vacuum generator with energy-efficient nozzle design
- ◇ Energy-saving function, it is integrated with vacuum unit, silencer, digital pressure gauge and vacuum energy saving control
- ◇ It has the function of debugging

Advantages

- ◇ Large vacuum flow can be produced under the condition of low air consumption
- ◇ Easy to install, space saving, it can help customers to reduce cost most, mainly used in electric control systems
- ◇ Customers can adjust and control the interval according to the actual application

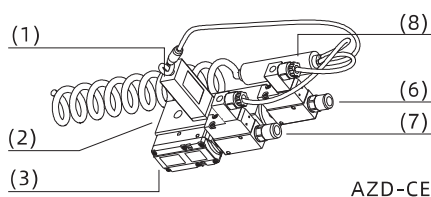
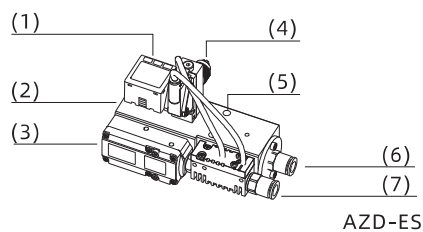
Applications

- ◇ Used in vacuum systems, where there are higher requirements for compressed air energy consumption occasions
- ◇ The vacuum generator is highly integrated with electric control and energy saving devices
- ◇ The energy-saving vacuum generator is suitable for the occasions where there is air leakage in the process of adsorption



Structure

- ◇ (1) Digital pressure gauge
- ◇ (2) Vacuum port
- ◇ (3) Vacuum generator
- ◇ (4) Adjusting screw
- ◇ (5) Mounting hole
- ◇ (6) Vacuum release port
- ◇ (7) Air supply port
- ◇ (8) ES device



Vacuum Generator

AZK

AZX

AZD

AGS

AGB

AGP

AGX

AGE

ABM/ABX

ABM/ABX
Combined Type

AMC

AM/AL/AH

AM/AL
Combined Type

AMD

AZW

AZR

ABT

ABP

ABQ

AEVC

AZL

AZH

AZU

ACV

ASBP

ALS

ACP

ACPF

ACPS

APB

AZD Series

Energy-saving Vacuum Generator



How to order

AZD 20 - ES

① ② ③

① Series	② Specification	③ Energy saving(ES) mode
AZD	20	ES - Pneumatic energy saving CE - Electric control energy saving

Technical parameters

Model	Air supply pressure range bar	Rated air supply pressure bar	Max. vacuum level -kPa	Max. vacuum flow NL/min	Air consumption NL/min	Noise level dB(A)
AZD20	4.0~7.0	5.0	83	90	70	69

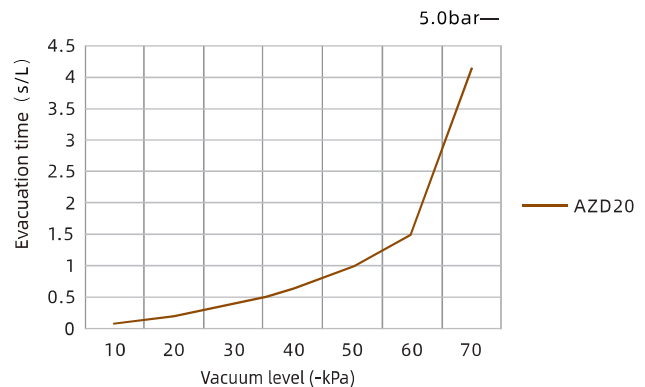
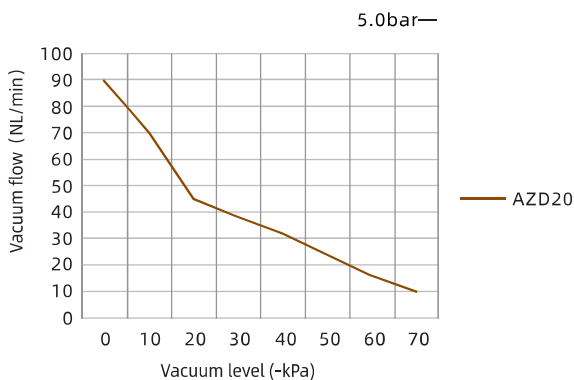
Model	Solenoid valve rated working voltage V	Solenoid valve status	Solenoid valve rated power W	Working temperature °C	Weight g		Recommended hose dia.(mm)	
					ES	CE	Air supply port P	Vacuum port V
AZD20	DC24	Normally closed(NC)	2.5	0~60	620	690	φ8	φ10

Vacuum flow(NL/min) at different vacuum levels(-kPa)

Model	Air supply pressure bar	Air consumption NL/min	Vacuum level (-kPa)								Max. vacuum level -kPa
			0	10	20	30	40	50	60	70	
AZD20	5.0	70	90	72	43	35	22	19	14	11	83

Evacuation time(s/L) to reach different vacuum levels(-kPa)

Model	Air supply pressure bar	Air consumption NL/min	Vacuum level (-kPa)							Max. vacuum level -kPa
			10	20	30	40	50	60	70	
AZD20	5.0	70	0.08	0.2	0.39	0.63	0.99	1.5	4.15	83

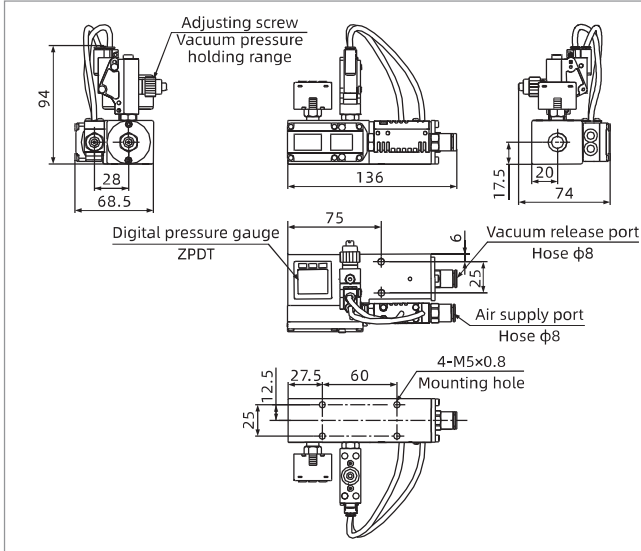


AZD Series

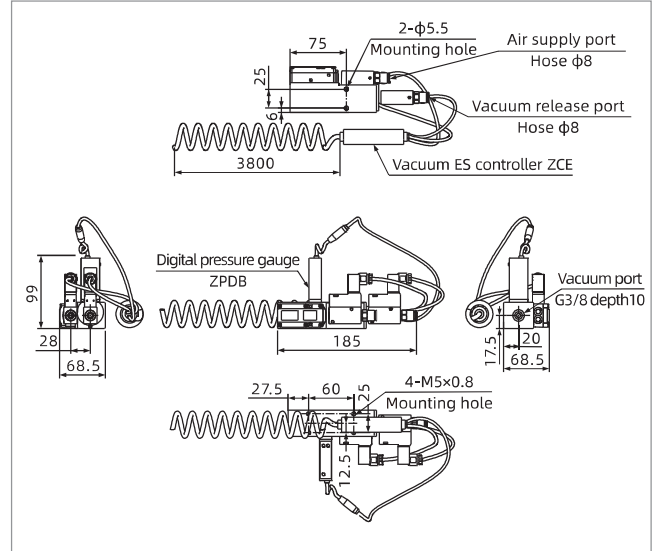
Energy-saving Vacuum Generator



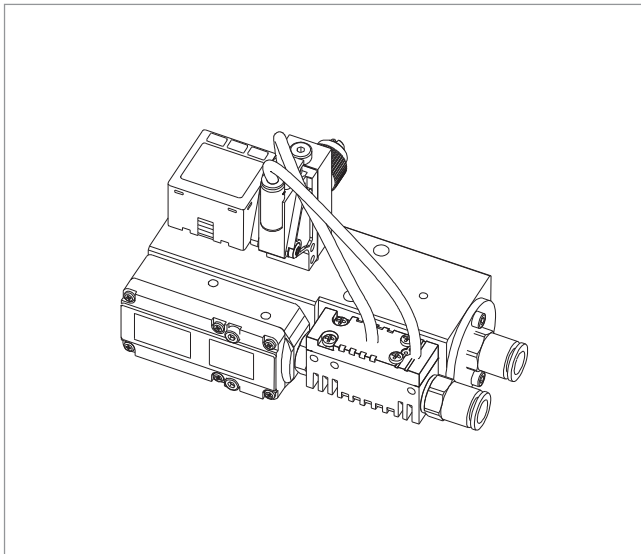
Dimensions(mm)



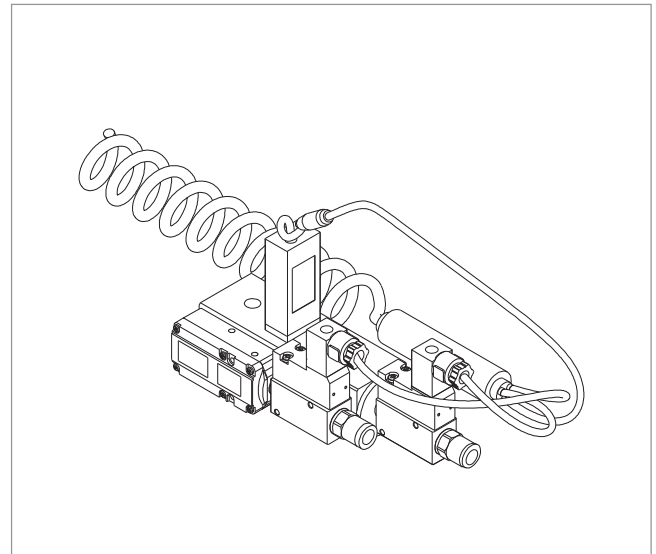
AZD20-ES



AZD20-CE



AZD20-ES Schematic diagram



AZD20-CE Schematic diagram

Vacuum Generator

AZK

AZX

AZD

AGS

AGB

AGP

AGX

AGE

ABM/ABX

ABM/ABX
Combined Type

AMC

AM/AL/AH

AM/AL
Combined Type

AMD

AZW

AZR

ABT

ABP

ABQ

AEVC

AZL

AZH

AZU

ACV

ASBP

ALS

ACP

ACPF

ACPS

APB