

PDA Series

Universal Block Plug



UNIVERSAL

Features

- ◇ Copper alloy body, suitable for harsh environment, long lifetime
- ◇ Suitable for various working conditions in vacuum industry
- ◇ Various types to be selected



How to order

PDA - I - M5M

① ② ③

① Series	② Sealing specification	③ Connection thread
PDA	I - Countersunk head sealing	M5M - M5×0.8 male thread
	L - Horizontal sealing	G1M - G1/8 male thread
		G2M - G1/4 male thread
		G3M - G3/8 male thread
		G4M - G1/2 male thread

Selection

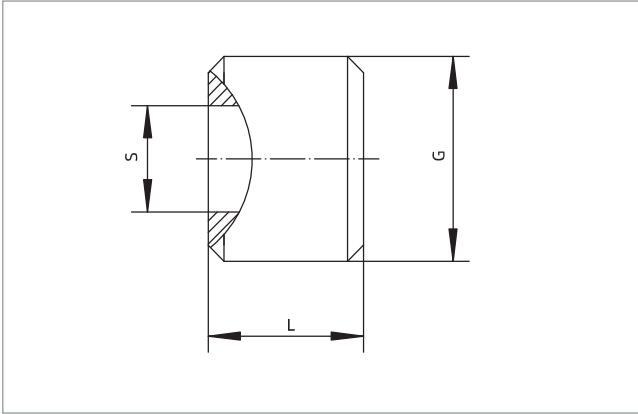
Model/Type Countersunk head sealing	Horizontal sealing
PDA-I-M5M	PDA-L-M5M
PDA-I-G1M	PDA-L-G1M
PDA-I-G2M	PDA-L-G2M
PDA-I-G3M	PDA-L-G3M
PDA-I-G4M	PDA-L-G4M

PDA Series

Universal Block Plug

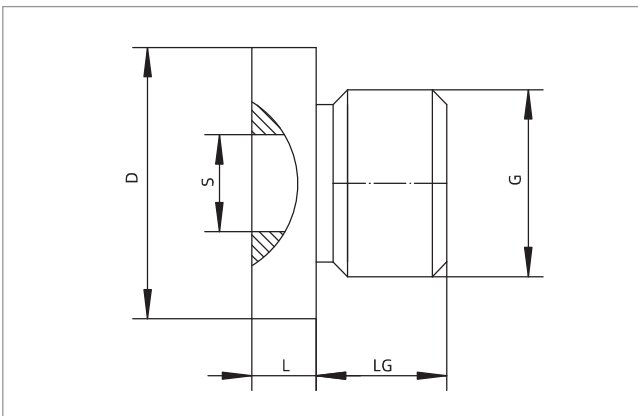


Dimensions(mm)



PDA-I-□

Model/Size	G	L	S
PDA-I-M5M	M5×0.8	5	2.5
PDA-I-G1M	G1/8	6	4
PDA-I-G2M	G1/4	9	6
PDA-I-G3M	G3/8	10	8
PDA-I-G4M	G1/2	12	10



PDA-L-□

Model/Size	D	L	LG	G	S
PDA-L-M5M	8	2	3.9	M5×0.8	2.5
PDA-L-G1M	14	3.5	5.5	G1/8	4
PDA-L-G2M	18	4.5	7.5	G1/4	6
PDA-L-G3M	22	4.5	7.5	G3/8	8
PDA-L-G4M	27	5	14	G1/2	10

Mounting Parts

PSPE

PSPL

PSPS

PSPT

PSPH

PSPD

PSPF

PJS

PJT

PJF

PJB

PJE

PJH

PJP

PJQ

PDA

PDR

PTS

PTK