

PJB Series

Universal Mounting Parts-Ball Joint



UNIVERSAL

Features

- ◇ Flexible connection for deflection in any direction with a maximum deflection angle of 12°
- ◇ The ball and socket are equipped with sealing rings to prevent vacuum leakage during rotation
- ◇ It is made of high strength steel and has good stability
- ◇ Suitable for large suction cup to handle workpiece with inclined surface



How to order

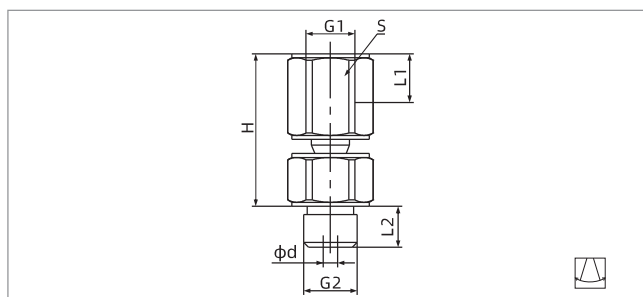
PJB - G4M - S
 ① ② ③

| ① Series | ② Suction cup connection | | ③ External sealing device |
|----------|-------------------------------------------------------|--------------------------------------------------|--------------------------------------------------------------|
| PJB | G1M - G1/8 male thread M10M - M10×1.25 male thread | G2M - G1/4 male thread G4M - G1/2 male thread | Nil - Standard type S - With external sealing suction cup |

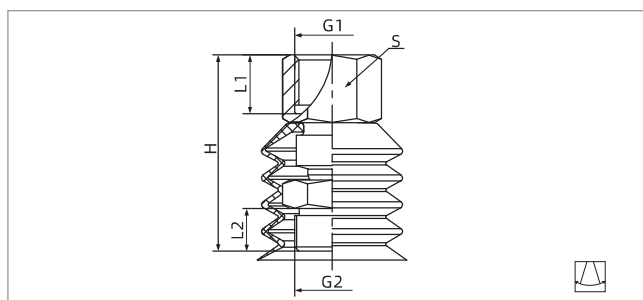
Selection

| Model/Suction cup connection G1M | | M10M | G2M | G4M | |
|-------------------------------------|-----------|----------|---------|---------|-----------|
| PJB-G1M | PJB-G1M-S | PJB-M10M | PJB-G2M | PJB-G4M | PJB-G4M-S |

Dimensions(mm)



PJB-□



PJB-□-S

| Model/Size | H | G1 | L1 | G2 | L2 | S | d | Deflection angle | Weight g |
|------------|------|------|----|----------|----|----|-----|------------------|----------|
| PJB-G1M | 26.5 | G1/8 | 8 | G1/8 | 7 | 12 | 2 | 12° | 20 |
| PJB-M10M | 37.5 | G1/4 | 12 | M10×1.25 | 10 | 19 | 3.5 | 12° | 82 |
| PJB-G2M | 37.5 | G1/4 | 12 | G1/4 | 10 | 19 | 3.5 | 12° | 75 |
| PJB-G4M | 40 | G1/2 | 15 | G1/2 | 12 | 24 | 4 | 12° | 113 |

| Model/Size | H | G1 | L1 | G2 | L2 | S | Deflection angle | Weight g |
|------------|----|------|----|------|----|----|------------------|----------|
| PJB-G1M-S | 33 | G1/8 | 8 | G1/8 | 7 | 12 | 12° | 21 |
| PJB-G4M-S | 52 | G1/2 | 15 | G1/2 | 12 | 24 | 12° | 133 |

PSPE

PSPL

PSPS

PSPT

PSPH

PSPD

PSPF

PJS

PJT

PJF

PJB

PJE

PJH

PJP

PJQ

PDA

PDR

PTS

PTK