

PJE Series



Universal mounting parts-flexible joint



UNIVERSAL

Features

- ◇ Flexible connection for deflection in any direction with a maximum deflection angle 12°
- ◇ The rotating joints are vulcanized by high-strength metal and high-performance rubber, which guarantees strength, elasticity and sealability, and can be automatically reset
- ◇ Suitable for large suction cup to handle workpiece with inclined surface



How to order

PJE - G2F - G2M

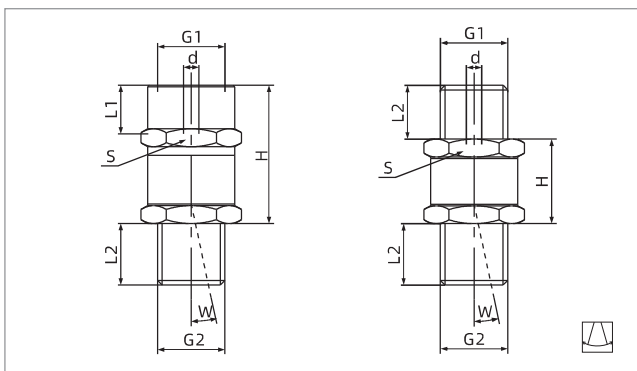
① ② ③

① series	② Vacuum port connection	③ Suction cup connection
PJE	G2M - G1/4 male thread G4M - G1/2 male thread G2F - G1/4 female thread G4F - G1/2 female thread	M10M - M10×1.25 male thread G2M - G1/4 male thread G4M - G1/2 male thread

Selection

Model/Vacuum port connection G2M	G2F	G4M	G4F
PJE-G2M-G2M	PJE-G2F-M10M PJE-G2F-G2M	PJE-G4M-G4M	PJE-G4F-G4M

Dimensions(mm)



PJE-F-M

PJE-M-M

Model/Size	H	G1	L1	G2	L2	d	S	W	Weight g
PJE-G2F-M10M	27	G1/4	12	M10×1.25	8	3	17	12°	33.5
PJE-G2F-G2M	27	G1/4	12	G1/4	12	3	17	12°	39
PJE-G2M-G2M	16.5	G1/4	10.5	G1/4	12	3	17	12°	32.5
PJE-G4F-G4M	33.5	G1/2	14	G1/2	14	6	27	12°	105.5
PJE-G4M-G4M	21	G1/2	14	G1/2	14	6	27	12°	94.5