

# PJF Series

## Universal Mounting Parts-Locking Fitting



UNIVERSAL

### Features

- ◇ Match the connection thread of suction cup, variety of connection and mounting thread are available
- ◇ Small size and simple structure, especially suitable for electronic industry



### How to order

PJF - LB6 - M4F - M5F

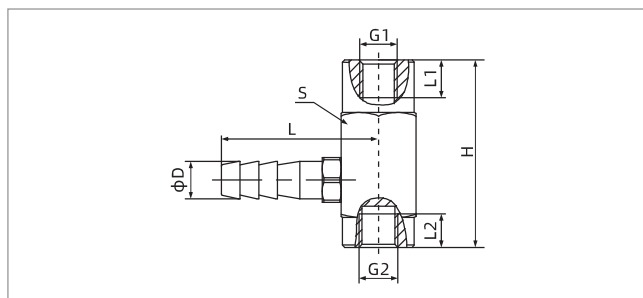
①                      ②                      ③                      ④

① Series	② Vacuum port connection	③ Mounting thread		④ Suction cup connection
<b>PJF</b>	A4 - Vertical, one-touch fittingφ4 A6 - Vertical, one-touch fittingφ6 A8 - Vertical, one-touch fittingφ8 R1 - Vertical, Rc1/8 inside tapered thread LB6 - Lateral, pagoda fittingφ6 LR1 - Lateral, Rc1/8 inside tapered thread	M4F - M4×0.7 female thread M5F - M5×0.8 female thread M6F - M6×1 female thread M8F - M8×1.25 female thread M10F - M10×1.5 female thread	M8M - M8×1 male thread M10M - M10×1 male thread M12M - M12×1 male thread M14M - M14×1 male thread M16M - M16×1.5 male thread	M5F - M5×0.8 female thread M8F - M8×1.25 female thread G1F - G1/8 female thread G2F - G1/4 female thread G3F - G3/8 female thread

### Selection

Model/Vacuum port connection	Vertical one-touch fitting	Vertical pagoda fitting	Vertical female thread	Lateral female thread
PJF-LB6-M4F-M5F	PJF-A4-M12M-M5F	PJF-B6-M8M-M5F	PJF-R1-M16M-G2F	PJF-LR1-M10F-G2F
PJF-LB6-M6F-M5F	PJF-A6-M14M-M5F	PJF-B6-M10M-M5F	PJF-R1-M16M-G3F	PJF-LR1-M10F-G3F
PJF-LB6-M6F-M8F	PJF-A6-M14M-M8F	PJF-B6-M10M-M8F	-	-
PJF-LB6-M8F-G1F	PJF-A6-M14M-G1F	PJF-B6-M14M-G1F	-	-
-	PJF-A8-M16M-G2F	-	-	-

### Dimensions(mm)



Lateral pagoda fitting

Model/size	H	G1	L1	G2	L2	S	D	L	Weight g
PJF-LB6-M4F-M5F	22	M4	6	M5	6	10	5	21	15.5
PJF-LB6-M6F-M5F	32	M6	8	M5	6	14	5	23	40
PJF-LB6-M6F-M8F	32	M6	8	M8	8	14	5	23	39
PJF-LB6-M8F-G1F	32	M8	6.5	G1/8	6	14	5	23	39

Mounting Parts

PSPE

PSPL

PSPS

PSPT

PSPH

PSPD

PSPF

PJS

PJT

PJF

PJB

PJE

PJH

PJP

PJQ

PDA

PDR

PTS

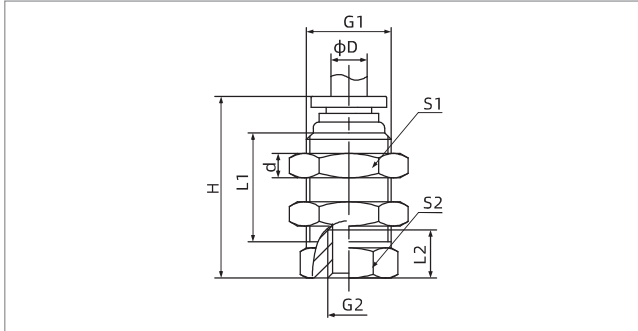
PTK

# PJF Series

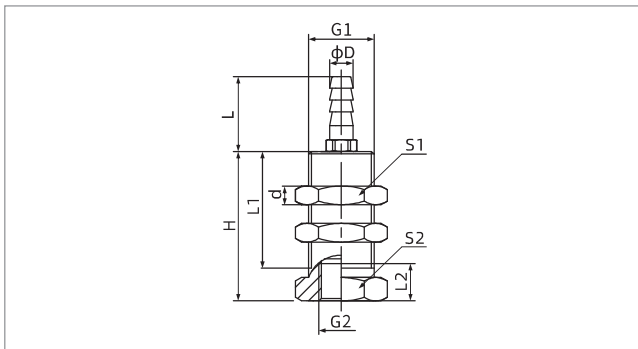
## Universal Mounting Parts-Locking Fitting



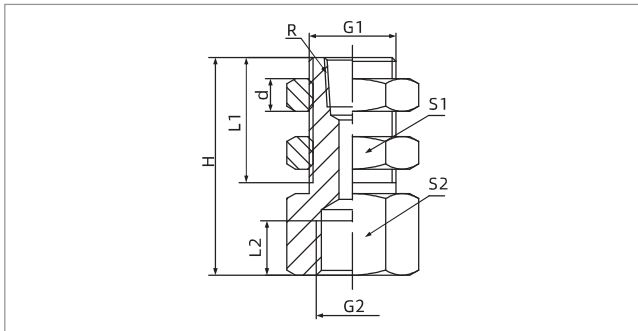
### Dimensions(mm)



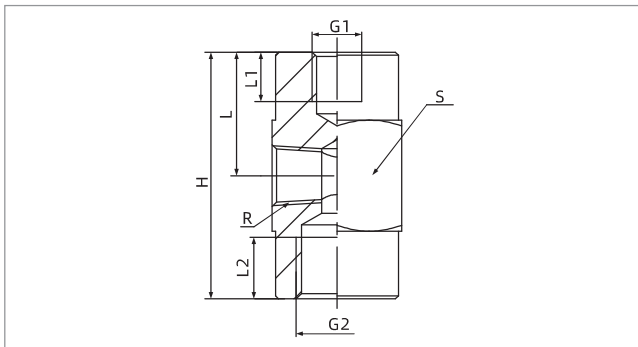
Vertical one-touch fitting



Vertical pagoda fitting



Vertical female thread



Lateral female thread

Model/Size	H	G1	L1	G2	L2	S1	S2	d	D	Weight g
PJF-A4-M12M-M5F	27.5	M12×1	17.5	M5	6	14	12	4	4	22.5
PJF-A6-M14M-M5F	30	M14×1	18	M5	6	19	14	5	6	30
PJF-A6-M14M-M8F	30	M14×1	18	M8	8	19	14	5	6	38
PJF-A6-M14M-G1F	30	M14×1	18	G1/8	8	19	14	5	6	27
PJF-A8-M16M-G2F	40	M16×1.5	23	G1/4	10	21	17	6	8	63.5

Model/Size	H	G1	L1	G2	L2	S1	S2	L	d	D	Weight g
PJF-B6-M8M-M5F	22	M8×1	17	M5	5	12	12	16	3	5	27
PJF-B6-M10M-M5F	32	M10×1	22	M5	6	14	14	16	3	5	30
PJF-B6-M10M-M8F	32	M10×1	22	M8	8	14	14	16	3	5	28
PJF-B6-M14M-G1F	32	M14×1	22	G1/8	8	19	17	16	5	5	33

Model/Size	H	G1	L1	G2	L2	S1	S2	d	R	Weight g
PJF-R1-M16M-G2F	40	M16×1.5	23	G1/4	10	22	21	6	Rc1/8	86.5
PJF-R1-M16M-G3F	40	M16×1.5	23	G3/8	11	22	21	6	Rc1/8	78

Model/Size	H	G1	L1	G2	L2	S	L	R	Weight g
PJF-LR1-M10F-G2F	40	M10	8	G1/4	10	21	20	Rc1/8	88.5
PJF-LR1-M10F-G3F	40	M10	8	G3/8	11	21	20	Rc1/8	79