

# PJQ Series

## Universal Pagoda Fitting



UNIVERSAL

### Features

- ◇ Made of all metal, suitable for harsh environment and long lifetime
- ◇ can be used with standard hose and steel hose on the market
- ◇ Various types to be selected



### How to order

PJQ - B6 - M5M  
①    ②    ③

① Series	② Hose diameter	③ Connection thread
PJQ	B6 - φ6	M5M - M5×0.8 male thread
	B8 - φ8	G1M - G1/8 male thread
	B10 - φ10	G2M - G1/4 male thread
	B12 - φ12	G3M - G3/8 male thread
	B19 - φ19	G4M - G1/2 male thread
	B25 - φ25	G6M - G3/4 male thread
	B32 - φ32	G8M - G1 male thread

### Selection

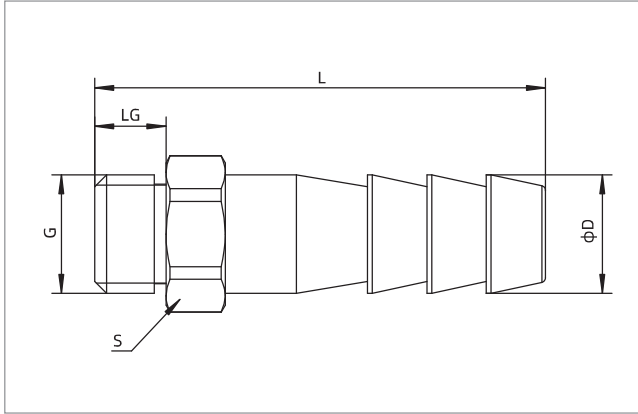
Model/Type		
PJQ-B6-M5M	PJQ-B12-G3M	PJQ-B25-G6M
PJQ-B8-G1M	PJQ-B19-G4M	PJQ-B25-G8M
PJQ-B10-G2M	PJQ-B19-G6M	PJQ-B32-G8M

# PJQ Series

## Universal Pagoda Fitting



### Dimensions(mm)



PJQ-□-□

Model/Size	G	LG	L	D	S
PJQ-B6-M5M	M5×0.8	3	19	5	6
PJQ-B8-G1M	G1/8	8	34	6.5	14
PJQ-B10-G2M	G1/4	10	42	8	17
PJQ-B12-G3M	G3/8	10	43	9	19
PJQ-B19-G4M	G1/2	10	58	19	24
PJQ-B19-G6M	G3/4	12	60	19	32
PJQ-B25-G6M	G3/4	12	60	25	32
PJQ-B25-G8M	G1	15	63	25	36
PJQ-B32-G8M	G1	15	63	32	36

Mounting Parts

PSPE

PSPL

PSPS

PSPT

PSPH

PSPD

PSPF

PJS

PJT

PJF

PJB

PJE

PJH

PJP

**PJQ**

PDA

PDR

PTS

PTK