

PJS Series

Fitting for Suction Cup



UNIVERSAL

Features

- ◇ Standard fitting for suction cup, easy to selection
- ◇ Split stucture design, reusable and cost saving



How to order

PJS - G1F - SF1 - EW
 ① ② ③ ④

① Series	② Connection thread	③ Suction cup connection	④ Special specification
PJS	M3M - M3×0.5 male thread	M5F - M5×0.8 female thread	SF(1-3)
	M5M - M5×0.8 male thread	G1F - G1/8 female thread	SC(1-6)
	M8M - M8×1.25 male thread	G2F - G1/4 female thread	ST(1-8)
	G1M - G1/8 male thread	G3F - G3/8 female thread	
	G2M - G1/4 male thread		
	G3M - G3/8 male thread		
			Nil - Default, without special specification EW - Built-in mesh filter EH - Built-in mesh filter+ throttle valve

Selection - SF

Model/Special specification Basic type		EW - Built-in mesh filter		EH - Built-in mesh filter + throttle valve	
PJS-G1M-SF1	PJS-G1F-SF1	PJS-G1M-SF1-EW	PJS-G1F-SF1-EW	PJS-G1M-SF1-EH	PJS-G1F-SF1-EH
PJS-G1M-SF2	PJS-G1F-SF2	PJS-G1M-SF2-EW	PJS-G1F-SF2-EW	PJS-G1M-SF2-EH	PJS-G1F-SF2-EH
PJS-G2M-SF3	PJS-G2F-SF3	PJS-G2M-SF3-EW	PJS-G2F-SF3-EW	PJS-G2M-SF3-EH	PJS-G2F-SF3-EH
PJS-G3M-SF3	PJS-G3F-SF3	PJS-G3M-SF3-EW	PJS-G3F-SF3-EW	PJS-G3M-SF3-EH	PJS-G3F-SF3-EH

Selection - SC

Model/Connection thread M - male thread	F - female thread
PJS-M5M-SC2	PJS-M5F-SC1
PJS-M5M-SC3	PJS-M5F-SC4
-	PJS-M5F-SC5
-	PJS-M8F-SC6

Selection - ST

Model/Connection thread M - male thread	M - male thread
PJS-M3M-ST1	PJS-M8M-ST5
PJS-M5M-ST2	PJS-M8M-ST6
PJS-M5M-ST3	PJS-M6M-ST7
PJS-M5M-ST4	PJS-G1M-ST8

PSPE

PSPL

PSPS

PSPT

PSPH

PSPD

[PSPF](#)

[PJS](#)

PJT

PJF

PJB

PJE

PJH

PJP

PJQ

PDA

PDR

PTS

PTK

PJS Series

Fitting for Suction Cup

Dimensions(mm) - SF

Applicable suction cup:
 SU20, 25, 30
 SF20, 25, 30
 SB17, 20
 SBL20
 SBP20
 SXP20, 25, 30
 SFP20, 30
 SGP25, 35

PJS-G1F-SF1

Applicable suction cup:
 SU20, 25, 30
 SF20, 25, 30
 SB17, 20
 SBL20
 SBP20
 SXP20, 25, 30
 SFP20, 30
 SGP25, 35

PJS-G1M-SF1

Applicable suction cup:
 SU40
 SF40
 SB30, 40
 SBL30, 40
 SBP30, 40
 SXP35, 40
 SFP40
 SGP45

PJS-G1F-SF2

Applicable suction cup:
 SU40
 SF40
 SB30, 40
 SBL30, 40
 SBP30, 40
 SXP35, 40
 SFP40
 SGP45

PJS-G1M-SF2

Applicable suction cup:
 SU50
 SF50
 SB50
 SBL50
 SBP50
 SXP50
 SGP55

PJS-G2F-SF3

Applicable suction cup:
 SU50
 SF50
 SB50
 SBL50
 SBP50
 SXP50
 SGP55

PJS-G2M-SF3

Applicable suction cup:
 SU50
 SF50
 SB50
 SBL50
 SBP50
 SXP50
 SGP55

PJS-G3F-SF3

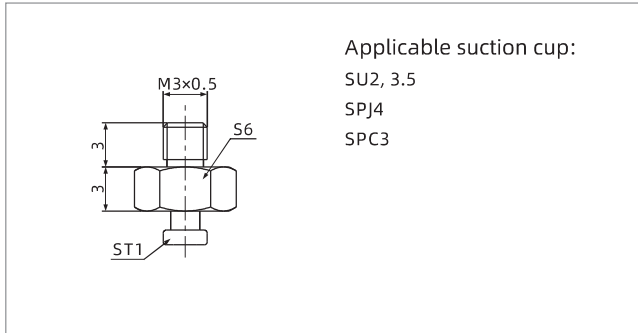
Applicable suction cup:
 SU50
 SF50
 SB50
 SBL50
 SBP50
 SXP50
 SGP55

PJS-G3M-SF3

PJS Series

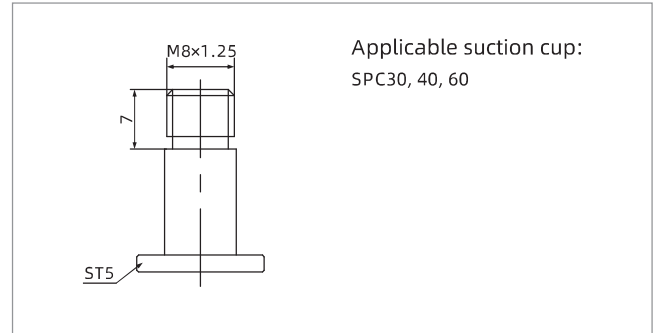
Fitting for Suction Cup

Dimensions(mm)-ST



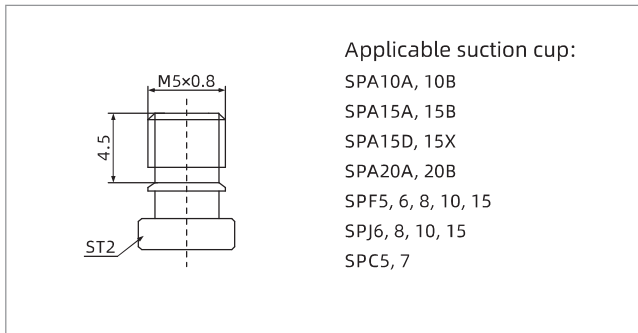
Applicable suction cup:
 SU2, 3.5
 SPJ4
 SPC3

PJS-M3M-ST1



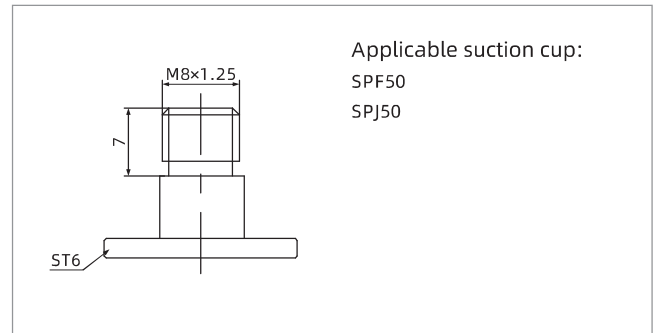
Applicable suction cup:
 SPC30, 40, 60

PJS-M8M-ST5



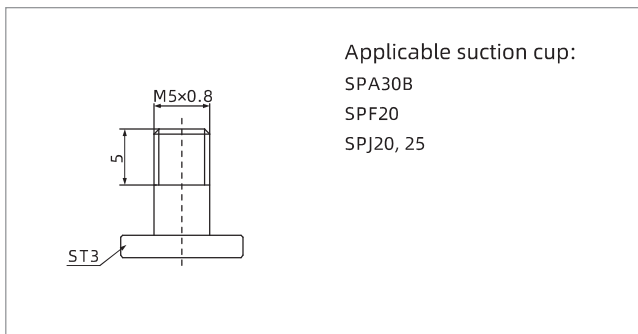
Applicable suction cup:
 SPA10A, 10B
 SPA15A, 15B
 SPA15D, 15X
 SPA20A, 20B
 SPF5, 6, 8, 10, 15
 SPJ6, 8, 10, 15
 SPC5, 7

PJS-M5M-ST2



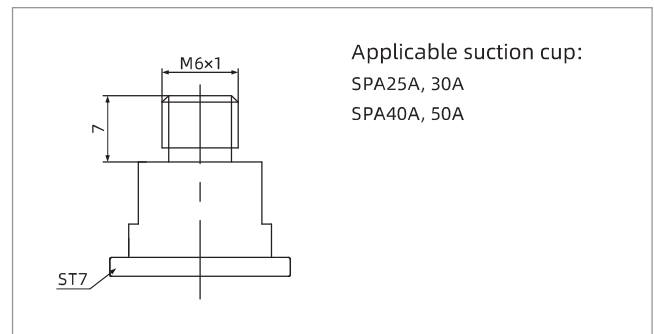
Applicable suction cup:
 SPF50
 SPJ50

PJS-M8M-ST6



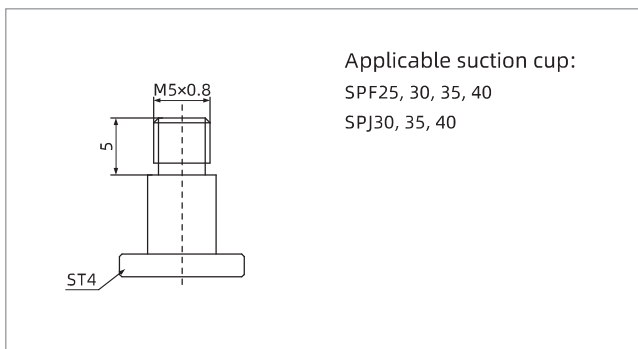
Applicable suction cup:
 SPA30B
 SPF20
 SPJ20, 25

PJS-M5M-ST3



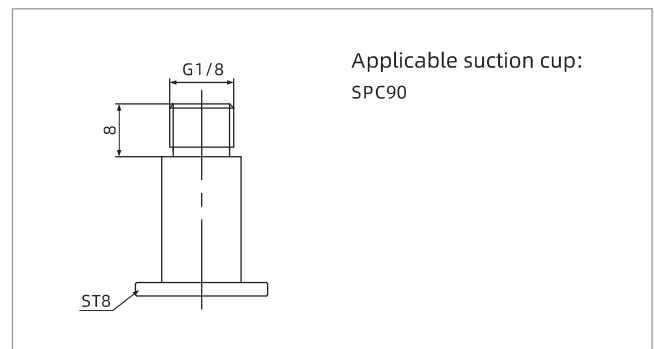
Applicable suction cup:
 SPA25A, 30A
 SPA40A, 50A

PJS-M6M-ST7



Applicable suction cup:
 SPF25, 30, 35, 40
 SPJ30, 35, 40

PJS-M5M-ST4



Applicable suction cup:
 SPC90

PJS-G1M-ST8

PSPE

PSPL

PSPS

PSPT

PSPH

PSPD

PSPF

[PJS](#)

PJT

PJF

PJB

PJE

PJH

PJP

PJQ

PDA

PDR

PTS

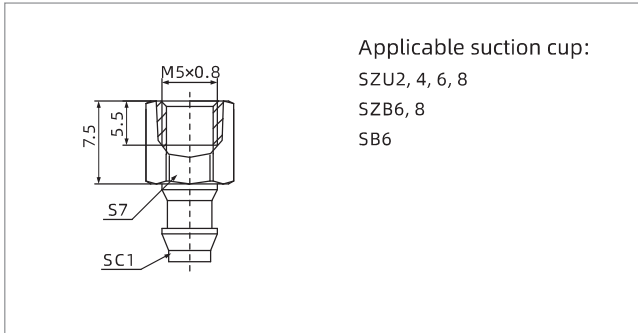
PTK

PJS Series

Fitting for Suction Cup

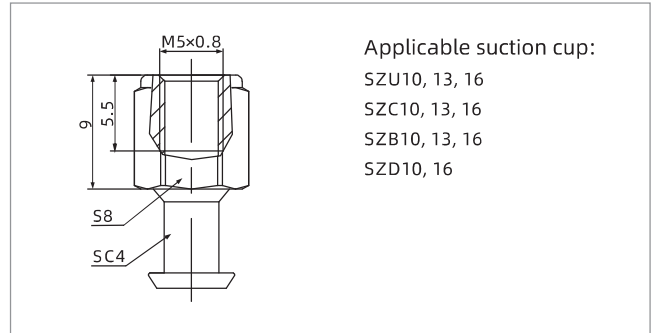


Dimensions(mm) - SC



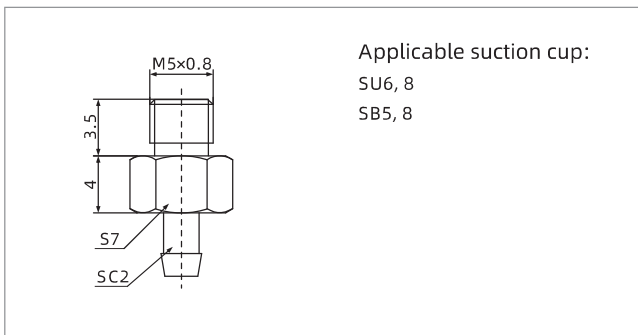
Applicable suction cup:
 SZU2, 4, 6, 8
 SZB6, 8
 SB6

PJS-M5F-SC1



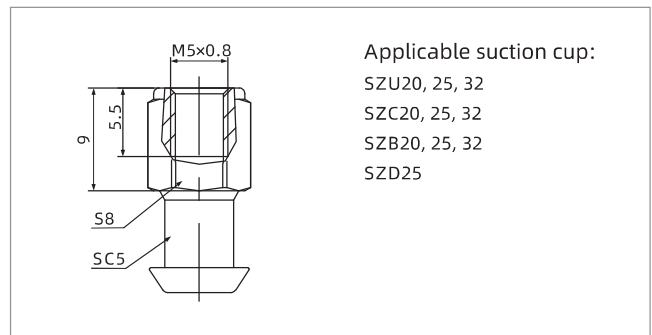
Applicable suction cup:
 SZU10, 13, 16
 SZC10, 13, 16
 SZB10, 13, 16
 SZD10, 16

PJS-M5F-SC4



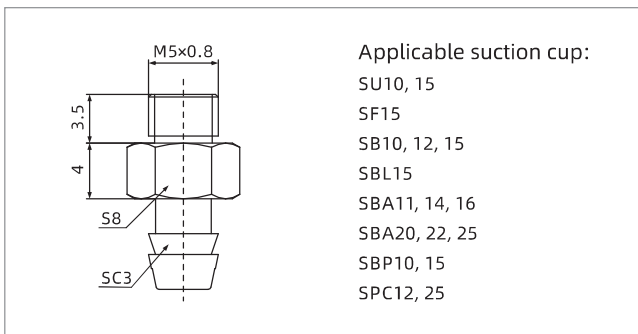
Applicable suction cup:
 SU6, 8
 SB5, 8

PJS-M5M-SC2



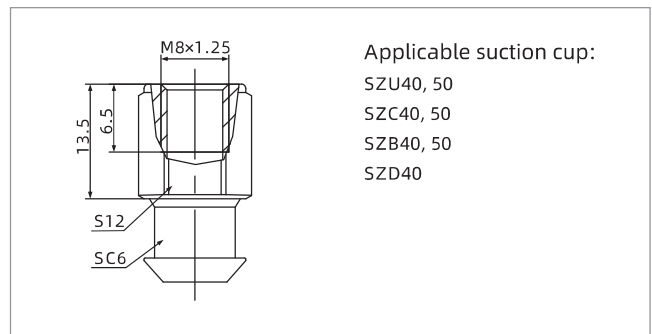
Applicable suction cup:
 SZU20, 25, 32
 SZC20, 25, 32
 SZB20, 25, 32
 SZD25

PJS-M5F-SC5



Applicable suction cup:
 SU10, 15
 SF15
 SB10, 12, 15
 SBL15
 SBA11, 14, 16
 SBA20, 22, 25
 SBP10, 15
 SPC12, 25

PJS-M5M-SC3



Applicable suction cup:
 SZU40, 50
 SZC40, 50
 SZB40, 50
 SZD40

PJS-M8F-SC6