

PJT Series

Universal Mounting Parts-Adapter



UNIVERSAL

Features

- ◇ Various specifications to achieve conversion between different threads
- ◇ Made of copper alloy and plated with electroless nickel



How to order

PJT - M5M - M8F
 ① ② ③

① Series	② Connection thread(1)	③ Connection thread(2)
PJT	M5M - M5×0.8 male thread M8M - M8×1.25 male thread G1M - G1/8 male thread G2M - G1/4 male thread G3M - G3/8 male thread M5F - M5×0.8 female thread M8F - M8×1.25 female thread G1F - G1/8 female thread G2F - G1/4 female thread G3F - G3/8 female thread	Nil - Same as connection thread(1) M5M - M5×0.8 male thread M8M - M8×1.25 male thread G1M - G1/8 male thread G2M - G1/4 male thread G3M - G3/8 male thread G4M - G1/2 male thread M5F - M5×0.8 female thread M8F - M8×1.25 female thread G1F - G1/8 female thread G2F - G1/4 female thread G3F - G3/8 female thread G4F - G1/2 female thread

Selection - SF

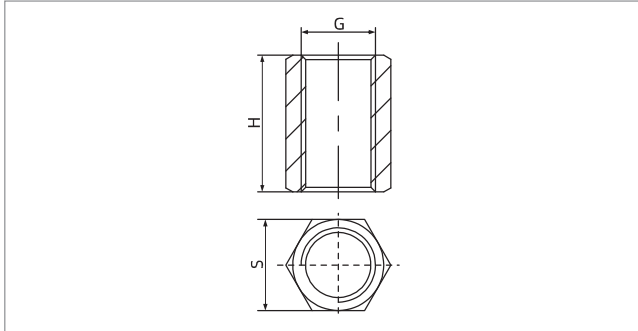
Model/Type Equal diameter female-female thread	Equal diameter male-male thread	Different diameter male-male thread	Different diameter female-male thread
PJT-M5F	PJT-M5M	PJT-M5M-M8M	PJT-M5M-M8F
PJT-M8F	PJT-M8M	PJT-M8M-G1M	PJT-M8M-G1F
PJT-G1F	PJT-G1M	PJT-G1M-G2M	PJT-G1M-G2F
PJT-G2F	PJT-G2M	PJT-G2M-G3M	PJT-G2M-G3F
PJT-G3F	PJT-G3M	PJT-G3M-G4M	PJT-G3M-G4F

PJT Series

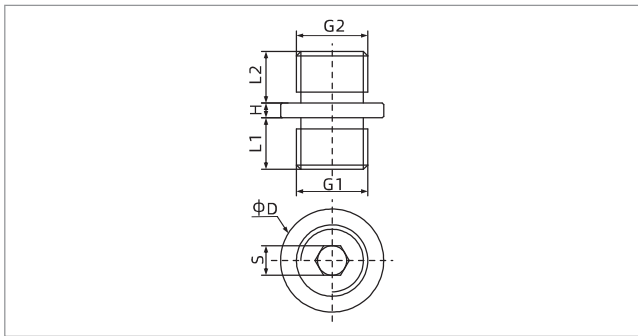
Universal Mounting Parts-Adapter



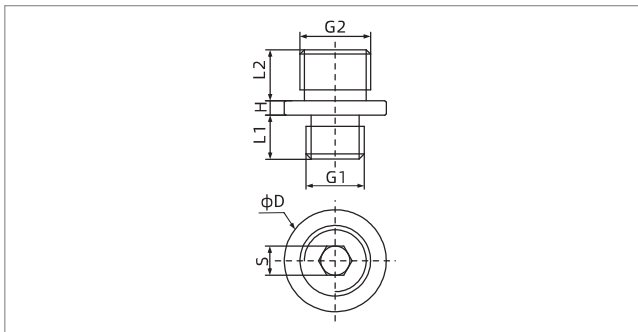
Dimensions(mm)



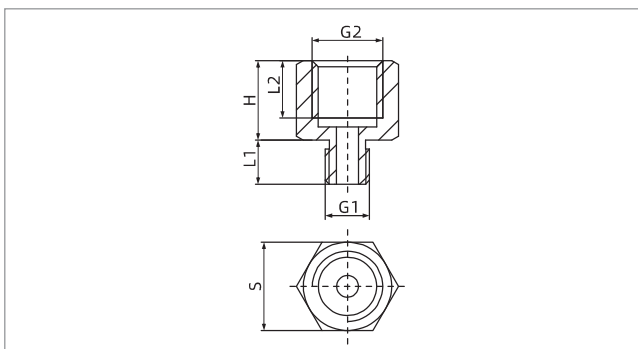
Equal diameter female-female thread



Equal diameter male-male thread



Different diameter male-male thread



Different diameter female-male thread

Model/Size	G	H	S	Weight g
PJT-M5F	M5×0.8	11	8	4
PJT-M8F	M8×1.25	15	10	6.6
PJT-G1F	G1/8	18	12	10
PJT-G2F	G1/4	22	16	22
PJT-G3F	G3/8	24	19	27

Model/Size	G1	L1	G2	L2	H	D	S	Weight g
PJT-M5M	M5×0.8	5	M5×0.8	5	1.5	8	2.5	3
PJT-M8M	M8×1.25	7	M8×1.25	7	1.5	12	3	7
PJT-G1M	G1/8	7	G1/8	7	1.5	14	4	11.5
PJT-G2M	G1/4	9	G1/4	9	2	17	5	23
PJT-G3M	G3/8	10	G3/8	10	2	21	5	33

Model/Size	G1	L1	G2	L2	H	D	S	Weight g
PJT-M5M-M8M	M5×0.8	5	M8×1.25	7	1.5	12	2.5	6
PJT-M8M-G1M	M8×1.25	7	G1/8	7	1.5	14	4	11.5
PJT-G1M-G2M	G1/8	7	G1/4	9	2	17	5	20
PJT-G2M-G3M	G1/4	9	G3/8	10	2	21	5	30
PJT-G3M-G4M	G3/8	10	G1/2	12	2	24	6	37

Model/Size	G1	L1	G2	L2	H	S	Weight g
PJT-M5M-M8F	M5×0.8	5	M8×1.25	7	9	10	5
PJT-M8M-G1F	M8×1.25	7	G1/8	8	10	12	8
PJT-G1M-G2F	G1/8	7	G1/4	10	13	16	16.2
PJT-G2M-G3F	G1/4	9	G3/8	10	13	19	25
PJT-G3M-G4F	G3/8	10	G1/2	12	15	24	48