

SBA Series

1.5 Bellows Suction Cup

AIRBEST



UNIVERSAL



Features

- ◇ 1.5 Bellows
- ◇ Special material with high temperature resistance is optional
- ◇ Various sizes for option

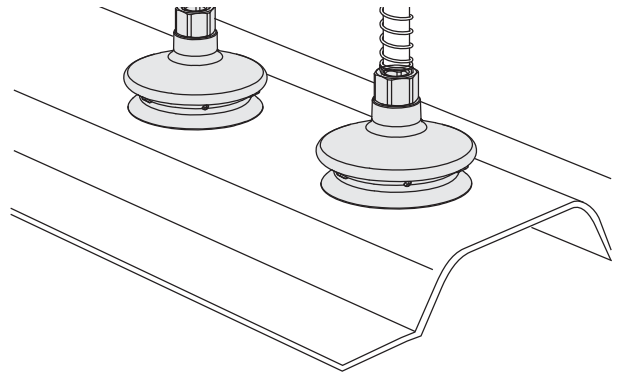
Advantages

- ◇ Easy to fit uneven surface of workpiece, has buffer effect
- ◇ Can handle workpiece with high temperature
- ◇ Fitting can be used repeatedly, greatly reducing customer's cost
- ◇ Suitable for workpieces with different sizes and shapes



Applications

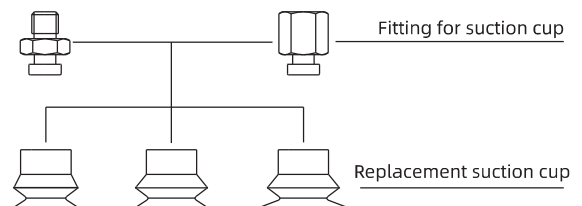
- ◇ Handling of workpieces with uneven surface, such as carton, cardboard, cambered workpiece, pipe, etc.
- ◇ Handling high temperature plastic injection parts, metal sheet, glass, etc.
- ◇ Handling smooth wood plate, smooth steel plate and so on



Structure

- ◇ 1.5 Bellows, large compressed stroke
- ◇ Suction cup and fitting are split structure design, wearing parts can be replaced separately
- ◇ Mark free plug is optional, for grasping without any mark

In same series, replacement suction cup and fitting can be combined on request.



SBA Series

1.5 Bellows Suction Cup



How to order

SBA 33 N - G2M - PK

① ② ③ ④ ⑤

① Series	② Diameter	③ Material & Hardness	④ Connection thread	⑤ Special specification	
SBA	6 - φ6mm	27 - φ27mm	N - NBR	55 Nil - Suction cup only	Nil - Standard type
	11 - φ11mm	33 - φ33mm	WS - White silicone	50 M5M - M5×0.8 male thread	PK - With mark free plug
	14 - φ14mm	43 - φ43mm	HD - High temp/Mark free	60 G1M - G1/8 male thread	
	16 - φ16mm	53 - φ53mm	NR - Natural rubber	40 G2M - G1/4 male thread	
	20 - φ20mm	63 - φ63mm		M5F - M5×0.8 female thread	
	22 - φ22mm	78 - φ78mm		G1F - G1/8 female thread	
	25 - φ25mm			G2F - G1/4 female thread	

Selection

Model	Connection thread		F - Female thread	
	M - Male thread			
SBA6□	SBA6□-M5M		SBA6□-M5F	
SBA11□	SBA11□-M5M	SBA11□-G1M	SBA11□-M5F	SBA11□-G1F
SBA14□	SBA14□-M5M	SBA14□-G1M	SBA14□-M5F	SBA14□-G1F
SBA16□	SBA16□-M5M	SBA16□-G1M	SBA16□-M5F	SBA16□-G1F
SBA20□	SBA20□-M5M	SBA20□-G1M	SBA20□-M5F	SBA20□-G1F
SBA22□	SBA22□-M5M	SBA22□-G1M	SBA22□-M5F	SBA22□-G1F
SBA25□	SBA25□-M5M	SBA25□-G1M	SBA25□-M5F	SBA25□-G1F
SBA27□	SBA27□-G2M		SBA27□-G2F	
SBA33□	SBA33□-G2M		SBA33□-G2F	
SBA43□	SBA43□-G2M		SBA43□-G2F	
SBA53□	SBA53□-G2M		SBA53□-G2F	
SBA63□	SBA63□-G2M		SBA63□-G2F	
SBA78□	SBA78□-G2M		SBA78□-G2F	

- SZ
- SP3
- SUF
- SAN
- SAO
- SOFA
- STP
- SFT
- SFA
- SBT
- SBL
- SBLP
- SBS
- SFP
- SBP
- SXP
- SGP
- SBOF
- STC
- SFF
- SOB
- SOE
- SOG
- SFM
- SOM
- SBF
- SDM
- SFU
- SFK
- SHT
- SDL
- SFG
- SFGT
- SFD
- SB
- SBA**
- SF
- SU
- SPA
- SPD
- SPF
- SPC
- SPJ
- SPU
- SH
- SHB
- SBB
- SOP
- SNP

SBA Series



1.5 Bellows Suction Cup

Selection - With mark free plug

Model	M - Male thread		F - Female thread	
SBA11□-PK	SBA11□-M5M-PK	SBA11□-G1M-PK	SBA11□-M5F-PK	SBA11□-G1F-PK
SBA14□-PK	SBA14□-M5M-PK	SBA14□-G1M-PK	SBA14□-M5F-PK	SBA14□-G1F-PK
SBA16□-PK	SBA16□-M5M-PK	SBA16□-G1M-PK	SBA16□-M5F-PK	SBA16□-G1F-PK
SBA20□-PK	SBA20□-M5M-PK	SBA20□-G1M-PK	SBA20□-M5F-PK	SBA20□-G1F-PK
SBA22□-PK	SBA22□-M5M-PK	SBA22□-G1M-PK	SBA22□-M5F-PK	SBA22□-G1F-PK
SBA25□-PK	SBA25□-M5M -PK	SBA25□-G1M-PK	SBA25□-M5F-PK	SBA25□-G1F-PK
SBA27□-PK	SBA27□-G2M-PK		SBA27□-G2F-PK	
SBA33□-PK	SBA33□-G2M-PK		SBA33□-G2F-PK	
SBA43□-PK	SBA43□-G2M-PK		SBA43□-G2F-PK	
SBA53□-PK	SBA53□-G2M-PK		SBA53□-G2F-PK	

Technical parameters

Model	Pull-out force N	Inner volume cm ³	Min. curved radius of workpiece mm	Weight g	Recommended hose dia. mm	MPQ pcs
SBA6	1.4	0.1	2	0.2	4	10
SBA11	3.8	0.2	10	1.0	6	10
SBA14	5.0	0.4	13	1.1	6	10
SBA16	6.7	0.8	20	1.4	6	10
SBA20	10.7	1.2	30	1.5	6	5
SBA22	15.2	1.4	25	2.2	6	5
SBA25	17.3	3.2	20	3.1	6	5
SBA27	24.0	3.4	23	4.7	6	5
SBA33	39.6	4.8	40	7.2	6	5
SBA43	64.5	11.4	60	11.9	6	5
SBA53	95.0	26.0	75	20.2	8	1
SBA63	135.0	44.0	75	25.5	8	1
SBA78	218.0	76.0	70	52.6	8	1

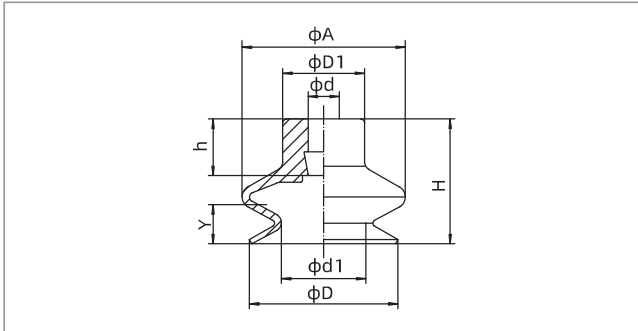
◇ Note: Testing vacuum level -60kPa, workpiece with smooth and clean surface. The data of pull-out force as above are figured out without considering safety factor. The data may be different according to different workpiece surfaces. Recommend the length of vacuum hose to be as short as possible, max 2m.

SBA Series

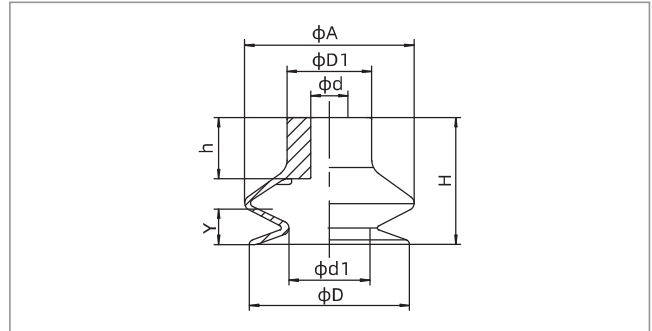
1.5 Bellows Suction Cup



Dimensions(mm) - Suction cup only



SBA6-25



SBA27-78

Model/Size	D	H	A	D1	d	d1	h	Y
SBA6□	5.5	9	6	7	3.7	2.7	5	3
SBA11□	10.5	16	12	10	4	5	7	4
SBA14□	13	15.5	13.5	10	4	5	7	6
SBA16□	15.5	19	17	10	4	8	7	7
SBA20□	18	15	20	10	4	11	7	8
SBA22□	22	19	24	10	4	11	9	9
SBA25□	24	23	25	10	4	9.5	9	11.5
SBA27□	26	25	27.5	16	8	14	13	9
SBA33□	35	27	36	18	8	17	13	10
SBA43□	43	28	45	18	8	21.5	13	11.5
SBA53□	53	34	58	18	8	32	13	15.5
SBA63□	63	33.5	66	18	8	43.5	13	15
SBA78□	78	46.5	83	25	12	54.5	20	14.5

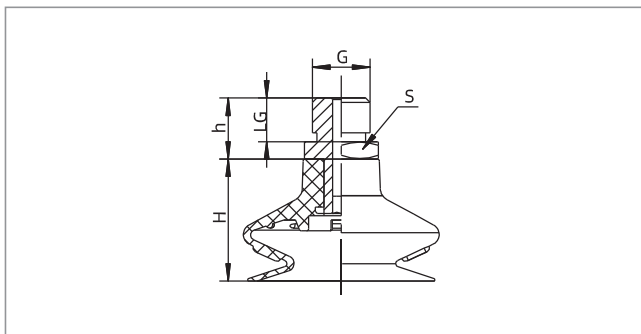
- SZ
- SP3
- SUF
- SAN
- SAO
- SOFA
- STP
- SFT
- SFA
- SBT
- SBL
- SBLP
- SBS
- SFP
- SBP
- SXP
- SGP
- SBOF
- STC
- SFF
- SOB
- SOF
- SOG
- SFM
- SOM
- SBF
- SDM
- SFU
- SFK
- SHT
- SDL
- SFG
- SFGT
- SFD
- SB
- SBA**
- SF
- SU
- SPA
- SPD
- SPF
- SPC
- SPJ
- SPU
- SH
- SHB
- SBB
- SOP
- SNP

SBA Series

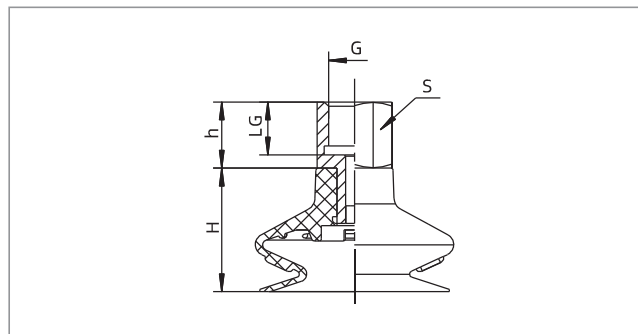
1.5 Bellows Suction Cup



Dimensions(mm) - Suction cup with fitting



SBA - Male thread connection



SBA - Female thread connection

Model/Size	H	h	G	LG	S
SBA6□-M5M	9	7.5	M5×0.8	3.5	7
SBA11□-M5M	16	7.5	M5×0.8	3.5	7
SBA11□-G1M	16	13.5	G1/8	7.5	14
SBA14□-M5M	15.5	7.5	M5×0.8	3.5	7
SBA14□-G1M	15.5	13.5	G1/8	7.5	14
SBA16□-M5M	19	7.5	M5×0.8	3.5	7
SBA16□-G1M	19	13.5	G1/8	7.5	14
SBA20□-M5M	15	7.5	M5×0.8	3.5	7
SBA20□-G1M	15	13.5	G1/8	7.5	14
SBA22□-M5M	19	7.5	M5×0.8	3.5	7
SBA22□-G1M	19	13.5	G1/8	7.5	14
SBA25□-M5M	23	7.5	M5×0.8	3.5	7
SBA25□-G1M	23	13.5	G1/8	7.5	14
SBA27□-G2M	25	15	G1/4	11	17
SBA33□-G2M	27	15	G1/4	11	17
SBA43□-G2M	28	15	G1/4	11	17
SBA53□-G2M	34	15	G1/4	11	17
SBA63□-G2M	33.5	15	G1/4	11	17
SBA78□-G2M	46.5	15	G1/4	11	21

Model/Size	H	h	G	LG	S
SBA6□-M5F	9	10	M5×0.8	5.5	7
SBA11□-M5F	16	10	M5×0.8	5.5	8
SBA11□-G1F	16	12	G1/8	8	14
SBA14□-M5F	15.5	10	M5×0.8	5.5	8
SBA14□-G1F	15.5	12	G1/8	8	14
SBA16□-M5F	19	10	M5×0.8	5.5	8
SBA16□-G1F	19	12	G1/8	8	14
SBA20□-M5F	15	10	M5×0.8	5.5	8
SBA20□-G1F	15	12	G1/8	8	14
SBA22□-M5F	19	10	M5×0.8	5.5	8
SBA22□-G1F	19	12	G1/8	8	14
SBA25□-M5F	23	10	M5×0.8	5.5	8
SBA25□-G1F	23	12	G1/8	8	14
SBA27□-G2F	25	15	G1/4	12	17
SBA33□-G2F	27	15	G1/4	12	17
SBA43□-G2F	28	15	G1/4	12	17
SBA53□-G2F	34	15	G1/4	12	17
SBA63□-G2F	33.5	15	G1/4	12	17
SBA78□-G2F	46.5	15	G1/4	12	21

◇ Note: The dimensional tolerance conforms to GBT3672.1-2002-1 M3 rubber product dimensional tolerance standard

Mounting parts

Item	Model	Applicable suction cup	
	M - Male thread	F - Female thread	
Fitting for suction cup	PJS-M5M-SBA6	PJS-M5F-SBA6	SBA6
	PJS-M5M-SC3	PJS-M5F-SC3	SBA11,14,16,20,22,25
	PJS-G1M-SC3	PJS-G1F-SC3	SBA11,14,16,20,22,25
	PJS-G2M-ST5	PJS-G2F-ST5	SBA27,33,43,53,63
	PJS-G2M-ST8	PJS-G2F-ST8	SBA78