

# SBB Series

## 1.5 Bellows Big Suction Cup

AIRBEST



HEAVY LOAD



### Features

- ◇ 1.5 Bellows
- ◇ Large area pattern support structure at bottom
- ◇ Rubber parts and metal connection plate are one-piece structure
- ◇ Suction cups with large diameter

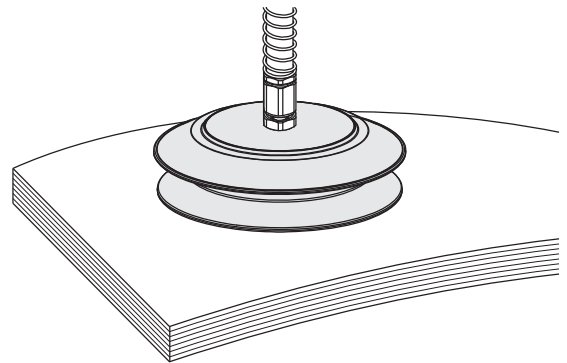
### Advantages

- ◇ Easy to fit uneven surface of workpiece, and had buffer effect
- ◇ Handling thin workpiece without permanent deformation
- ◇ It will be more reliable and stable during heavy load handling
- ◇ Suitable for handling large, heavy and vulnerable workpieces



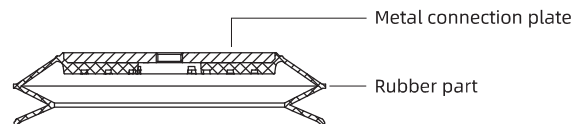
### Applications

- ◇ Handling paper, metal sheet, wood plate, ceramic, etc.
- ◇ Handling workpieces with uneven surface



### Structure

- ◇ One-piece structure design of suction cup and fitting
- ◇ Metal connection plate of SBB200 is with G1/2 female thread connection port
- ◇ Metal connection plate of SBB250-SBB300 is without thread hole, and it is flange plate connection structure



# SBB Series

## 1.5 Bellows Big Suction Cup



### How to order

## SBB 200 N - G4F

① ② ③ ④

① Series	② Diameter	③ Material & Hardness	④ Connection thread
SBB	200 - $\phi$ 200mm 250 - $\phi$ 250mm 300 - $\phi$ 300mm	N - NBR <b>60</b>	Nil - 4- $\phi$ 7 flange hole G4F - G1/2 female thread

### Selection

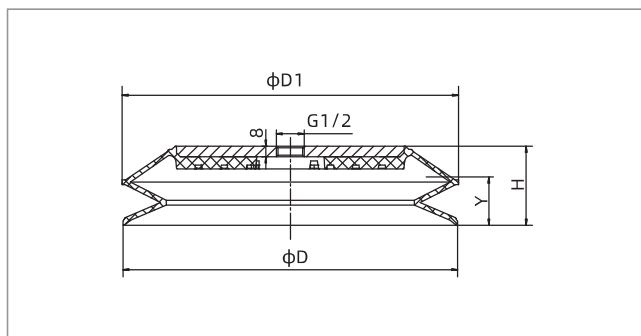
Model/Connection thread Nil - 4- $\phi$ 7 flange hole	F - Female thread
-	SBB200N-G4F
SBB250N	-
SBB300N	-

### Technical parameters

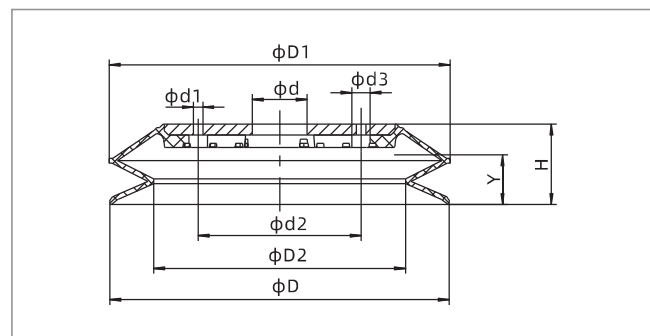
Model	Pull-out force N	Inner volume cm <sup>3</sup>	Min. curve radius of workpiece mm	Weight g	Recommend hose dia. mm	MPQ pcs
SBB200	850	790	350	860	12	1
SBB250	1,620	1,677	480	1,012	12	1
SBB300	2,390	2,950	580	1,650	12	1

◇ Note: Testing vacuum level -60kPa, workpiece with smooth and clean surface. The data of pull-out force as above are figured out without considering safety factor. The data may be different according to different workpiece surfaces. Recommend the length of vacuum hose to be as short as possible, max 2m.

### Dimensions(mm)



SBB200N-G4F



SBB□N

Model/Size	D	D1	H	d	d1	d2	d3	Y
SBB200□-G4F	200	206	57	-	-	-	-	40
SBB250□	250	251	60	40	4-7	120	4-13.5	43
SBB300□	300	306	77	40	4-7	120	4-13.5	57

◇ Note: The dimensional tolerance conforms to GBT3672.1-2002-1 M3 rubber product dimensional tolerance standard