

SBF Series

AIRBEST

1.5 Bellows Suction Cup Special for Metal Sheet



Suction Cup

Features

- ◇ 1.5 Bellows
- ◇ PU material
- ◇ Internal large area support structure
- ◇ Various sizes for option

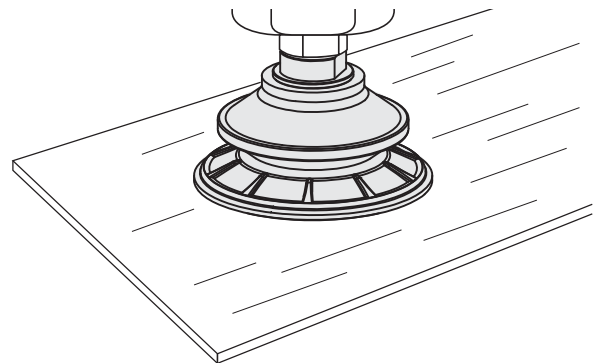
Advantages

- ◇ Easy to fit uneven surface of workpiece, and has buffer effect
- ◇ Excellent wear resistance and oil resistance, long lifetime
- ◇ Effectively increase the friction force between suction cups and workpieces
- ◇ Suitable for workpieces with different sizes and shapes



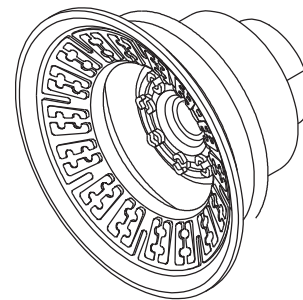
Applications

- ◇ Handling metal sheet in high speed, short cycle time
- ◇ Handling metal sheet and aluminum plate without deformation
- ◇ Special pattern slot design of suction cup prevents from slipping during handling oily sheet metal, ensuring accurate positioning
- ◇ Used in automotive stamping metal parts handling system



Structure

- ◇ 1.5 Bellows, large compressed stroke
- ◇ Suction cup and fitting are one-piece structure design



SZ
SP3
SUF
SAN
SAO
SOFA
STP
SFT
SFA
SBT
SBL
SBLP
SBS
SFP
SBP
SXP
SGP
SBOF
STC
SFF
SOB
SOF
SOG
SFM
SOM
SBF
SDM
SFU
SFK
SHT
SDL
SFG
SFGT
SFD
SB
SBA
SF
SU
SPA
SPD
SPF
SPC
SPJ
SPU
SH
SHB
SBB
SOP
SNP

SBF Series



1.5 Bellows Suction Cup Special for Metal Sheet

How to order

SBF 50 U - G3F

① ② ③ ④

① Series	② Diameter	③ Material & Hardness	④ Connection thread	
SBF	30 - φ32mm	U - PU	70	G2F - G1/4 female thread
	40 - φ42mm			G3F - G3/8 female thread
	50 - φ51.5mm			G2M - G1/4 male thread
	60 - φ64mm			M10M - M10×1.5 male thread
	80 - φ84mm			RA - Rectangular adapter
	100 - φ103mm			

Selection - Model(Connection thread)

Model	Connection thread				
	G2M	M10M	G2F	G3F	RA - Rectangular adapter
SBF30U-□	SBF30U-G2M	SBF30U-M10M	SBF30U-G2F	SBF30U-G3F	SBF30U-RA
SBF40U-□	SBF40U-G2M	SBF40U-M10M	SBF40U-G2F	SBF40U-G3F	SBF40U-RA
SBF50U-□	SBF50U-G2M	SBF50U-M10M	SBF50U-G2F	SBF50U-G3F	SBF50U-RA
SBF60U-□	SBF60U-G2M	SBF60U-M10M	SBF60U-G2F	SBF60U-G3F	SBF60U-RA
SBF80U-□	SBF80U-G2M	SBF80U-M10M	SBF80U-G2F	SBF80U-G3F	SBF80U-RA
SBF100U-□	SBF100U-G2M	SBF100U-M10M	SBF100U-G2F	SBF100U-G3F	SBF100U-RA

Technical parameters

Model	Pull-out force N	Inner volume cm ³	Min.curve radius of workpiece mm	Weight g	Recommended hose dia. mm	MPQ pcs
SBF30	33	5.5	30	18.5	6	1
SBF40	60	7.0	45	20.0	6	1
SBF50	103	11.5	50	40.0	8	1
SBF60	145	22.0	55	45.0	8	1
SBF80	235	60.0	72	75.0	10	1
SBF100	380	98.0	97	118.0	10	1

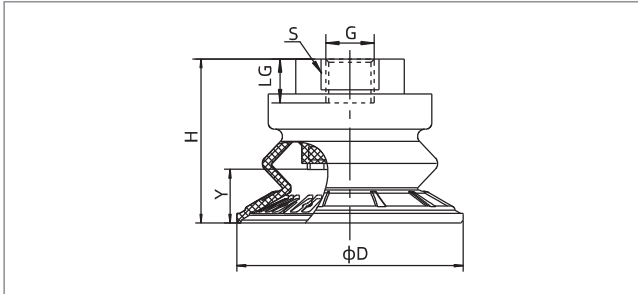
◇ Note: Testing vacuum level -60kPa, workpiece with smooth and clean surface. The data of pull-out force as above are figured out without considering safety factor. The data may be different according to different workpiece surfaces.

SBF Series

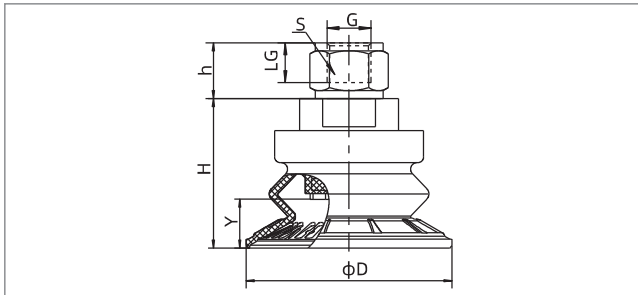
1.5 Bellows Suction Cup Special for Metal Sheet



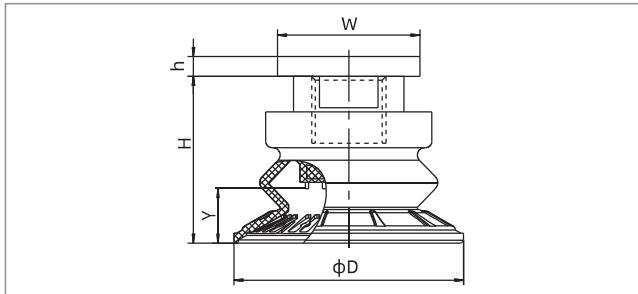
Dimensions(mm)



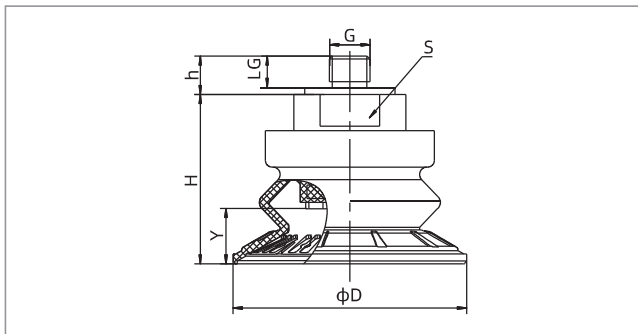
F - Female thread connection



F - Female thread connection



RA - Rectangular adapter



M - Male thread connection

Model/Size	D	H	G	LG	S	Y
SBF30U-G2F	32	28	G1/4	10	17	7
SBF40U-G2F	42	29	G1/4	10	17	9
SBF50U-G3F	51.5	37	G3/8	13	21	12.5
SBF60U-G3F	64	41.5	G3/8	13	21	15
SBF80U-G3F	84	49.5	G3/8	13	21	23
SBF100U-G3F	103	55	G3/8	13	22	22

Model/Size	D	H	G	h	LG	S	Y
SBF30U-G3F	32	28	G3/8	14	11	22	7
SBF40U-G3F	42	29	G3/8	14	11	22	9
SBF50U-G2F	51.5	37	G1/4	14	11	22	12.5
SBF60U-G2F	64	41.5	G1/4	14	11	22	15
SBF80U-G2F	84	49.5	G1/4	14	11	22	23
SBF100U-G2F	103	55	G1/4	14	11	22	22

Model/Size	D	H	W	h	Y
SBF30U-RA	32	28	31.8×31.8	4.7	7
SBF40U-RA	42	29	31.8×31.8	4.7	9
SBF50U-RA	51.5	37	31.8×31.8	4.7	12.5
SBF60U-RA	64	41.5	31.8×31.8	4.7	15
SBF80U-RA	84	49.5	31.8×31.8	4.7	23
SBF100U-RA	103	55	31.8×31.8	4.7	22

Model/Size	D	H	G	h	LG	S	Y
SBF30U-G2M	32	28	G1/4	11	9	17	7
SBF30U-M10M	32	28	M10×1.5	13.5	12	17	7
SBF40U-G2M	42	29	G1/4	11	9	17	9
SBF40U-M10M	42	29	M10×1.5	13.5	12	17	9
SBF50U-G2M	51.5	37	G1/4	11	9	21	12.5
SBF50U-M10M	51.5	37	M10×1.5	13.5	12	21	12.5
SBF60U-G2M	64	41.5	G1/4	11	9	21	15
SBF60U-M10M	64	41.5	M10×1.5	13.5	12	21	15
SBF80U-G2M	84	49.5	G1/4	11	9	21	23
SBF80U-M10M	84	49.5	M10×1.5	13.5	12	21	23
SBF100U-G2M	103	55	G1/4	11	9	22	22
SBF100U-M10M	103	55	M10×1.5	13.5	12	22	22

◇ Note: The dimensional tolerance conforms to GBT3672.1-2002-1 M3 rubber product dimensional tolerance standard

- SZ
- SP3
- SUF
- SAN
- SAO
- SOFA
- STP
- SFT
- SFA
- SBT
- SBL
- SBLP
- SBS
- SFP
- SBP
- SXP
- SGP
- SBOF
- STC
- SFF
- SOB
- SOF
- SOG
- SFM
- SOM
- SBF**
- SDM
- SFU
- SFK
- SHT
- SDL
- SFG
- SFGT
- SFD
- SB
- SBA
- SF
- SU
- SPA
- SPD
- SPF
- SPC
- SPJ
- SPU
- SH
- SHB
- SBB
- SOP
- SNP