

SBLP Series

Bellows Suction Cup Special for Soft Packing Bags

AIRBEST



FOOD
PACKAGING



PLASTIC BAG



FDA

RoHS

Suction Cup

Features

- ◇ Thin sealing lip
- ◇ 4.5 Bellows structure
- ◇ Big size, increasing vacuum flow
- ◇ Food grade silicone
- ◇ Plugs are optional

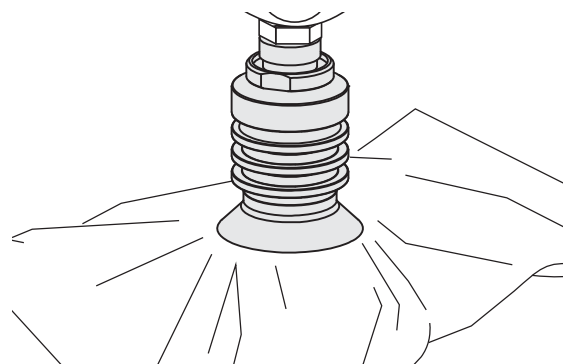
Advantages

- ◇ Have good airtightness when grab soft packing bag or flexible workpiece
- ◇ Effectively compensate height difference of packing bag with irregular shapes
- ◇ When grabbing porous workpieces, it can compensate the grabbing capacity by large flow
- ◇ Direct contact with food
- ◇ Prevent soft plastic film to be sucked into suction cup



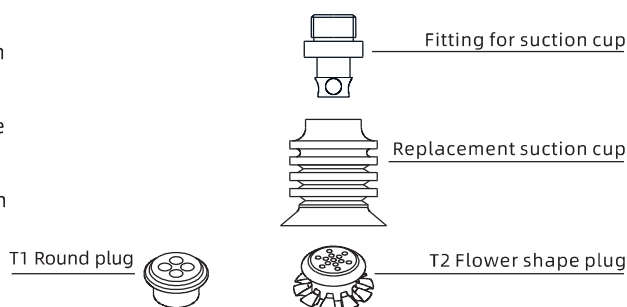
Applications

- ◇ Handling soft packing bag, such as EXPRESS bag, aluminum foil bags, laundry detergent bags, water bags, etc.
- ◇ Handling food package, such as bread, biscuits, milk, etc.
- ◇ Suitable for opening the bags, such as woven bags opening and dragging, etc.
- ◇ Grabbing packing bags containing solid products, powder or liquid safely



Structure

- ◇ Multiple bellows, large compressed stroke
- ◇ Suction cup and fitting are split structure design, wearing parts can be replaced separately
- ◇ T1 - White round plug, for light, thin and soft workpieces with large deformation
- ◇ T2 - Blue flower shape plug, for hard workpieces with small deformation



SZ
SP3
SUF
SAN
SAO
SOFA
STP
SFT
SFA
SBT
SBL
SBLP
SBS
SFP
SBP
SXP
SGP
SBOF
STC
SFF
SOB
SOF
SOG
SFM
SOM
SBF
SDM
SFU
SFK
SHT
SDL
SFG
SFGT
SFD
SB
SBA
SF
SU
SPA
SPD
SPF
SPC
SPJ
SPU
SH
SHB
SBB
SOP
SNP

SBLP Series



Bellows Suction Cup Special for Soft Packing Bags

How to order

SBLP 40 S - G3M - T1

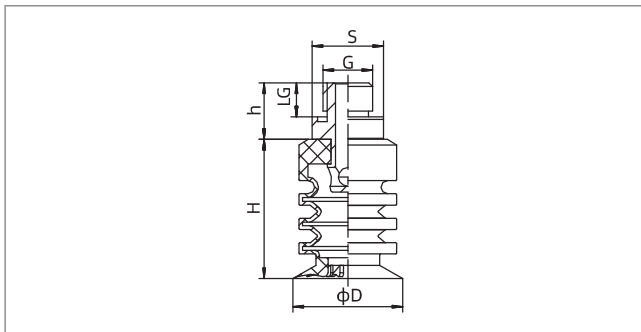
① ② ③ ④ ⑤

① Series	② Diameter	③ Material & Hardness	④ Connection thread	⑤ Special specification
SBLP	30 - ϕ 30mm	S - Silicone 40	Nil - Suction cup	Nil - Standard
	40 - ϕ 40mm		G2M - G1/4 male thread	T1 - White round plug
	50 - ϕ 50mm		G3M - G3/8 male thread	T2 - Blue flower shape plug
			G4M - G1/2 male thread	

Selection

Model	M - Male thread	T1 - White round plug	T2 - Blue flower shape plug	MPQ pcs
SBLP30S	SBLP30S-G2M	-	SBLP30S-T2 SBLP30S-G2M-T2	1
SBLP40S	SBLP40S-G3M	SBLP40S-T1 SBLP40S-G3M-T1	SBLP40S-T2 SBLP40S-G3M-T2	1
SBLP50S	SBLP50S-G4M	-	SBLP50S-T2 SBLP50S-G4M-T2	1

Dimensions(mm)



SBLP

Model/Size	D	H	G	h	LG	S	Weight g
SBLP30S-G2M	30	36.5	G1/4	15	9	19	14.4
SBLP40S-G3M	40	40	G3/8	16	10	22	24.1
SBLP50S-G4M	50	55	G1/2	16	10	28	43.3

◇ Note: The dimensional tolerance conforms to GBT3672.1-2002-1 M3 rubber product dimensional tolerance standard

Mounting parts

Item	Model M - Male thread	T1 - White round plug	T2 - Blue flower shape plug	Applicable suction cup
Fitting for suction cup	PJS-G2M-SBLP30	-	SBLP30-T2	SBLP30
	PJS-G3M-SBLP40	SBLP40-T1	SBLP40-T2	SBLP40
	PJS-G4M-SBLP50	-	SBLP50-T2	SBLP50