

SBOF Series

2.5 Bellows Oval Suction Cup



Suction Cup

Features

- ◇ 2.5 Bellows oval suction cup
- ◇ Material Vinyl

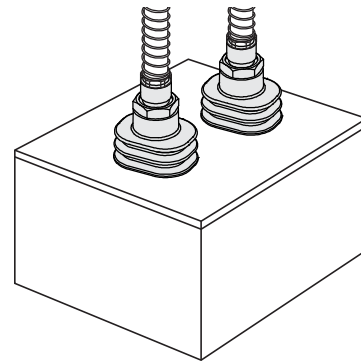
Advantages

- ◇ Easy to fit uneven surface of workpiece, and has buffer effect
- ◇ Excellent wearing resistance, long lifetime



Applications

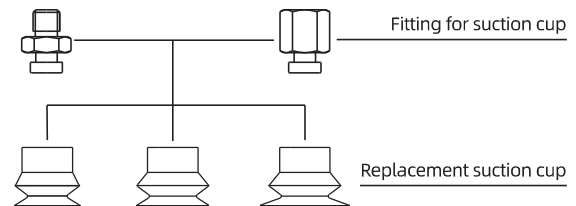
- ◇ Suitable for unpacking machines and handling soft packaging products
- ◇ Suitable for medical industry, such as washing packing bags containing chlorinated disinfectant
- ◇ Suitable for handling CD and DVD



Structure

- ◇ 2.5 Bellows, large compressed stroke
- ◇ Suction cup and fitting are split structure design, wearing parts can be replaced separately

In same series, replacement suction cup and fitting can be combined on request.



- SZ
- SP3
- SUF
- SAN
- SAO
- SOFA
- STP
- SFT
- SFA
- SBT
- SBL
- SBLP
- SBS
- SFP
- SBP
- SXP
- SGP**
- SBOF**
- STC
- SFF
- SOB
- SOF
- SOG
- SFM
- SOM
- SBF
- SDM
- SFU
- SFK
- SHT
- SDL
- SFG
- SFGT
- SFD
- SB
- SBA
- SF
- SU
- SPA
- SPD
- SPF
- SPC
- SPJ
- SPU
- SH
- SHB
- SBB
- SOP
- SNP

SBOF Series

2.5 Bellows Oval Suction Cup



How to order

SBOF 35×28 V - G2M

① ② ③ ④

① Series	② Size	③ Material & Hardness	④ Connection thread
SBOF	35×28 mm 45×28 mm	V - Vinyl 55	Nil - Suction cup only M10M - M10×1.5 male thread G2M - G1/4 male thread G2F - G1/4 female thread

Selection

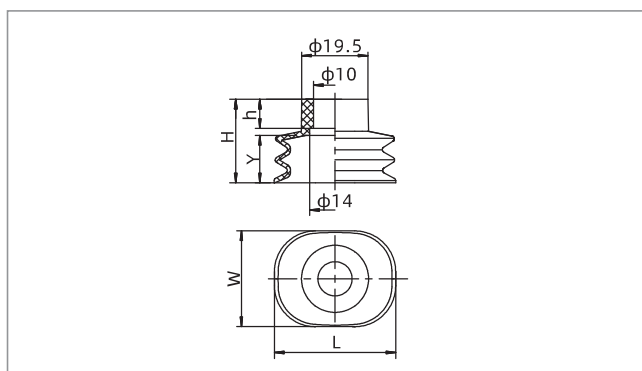
Model	Connection thread	
	M - Male thread	F - Female thread
SBOF35×28V	SBOF35×28V-M10M SBOF35×28V-G2M	SBOF35×28V-G2F
SBOF45×28V	SBOF45×28V-M10M SBOF45×28V-G2M	SBOF45×28V-G2F

Technical parameters

Model	Pull-out force N	Inner volume cm ³	Min.curve radius of workpiece mm	Weight g	Recommended hose dia. mm	MPQ pcs
SBOF35×28	44	22	39	5.8	8	1
SBOF45×28	57	26	39	8.2	8	1

◇ Note: Testing vacuum level -60kPa, workpiece with smooth and clean surface. The data of pull-out force as above are figured out without considering safety factor. The data may be different according to different workpiece surfaces. Recommend the length of vacuum hose to be as short as possible, max 2m.

Dimensions(mm) - Suction cup only



Model/Size	L	W	H	h	Y(Stroke)
SBOF35×28V	35	28	24.5	8.5	12
SBOF45×28V	45	28	25	9.5	13

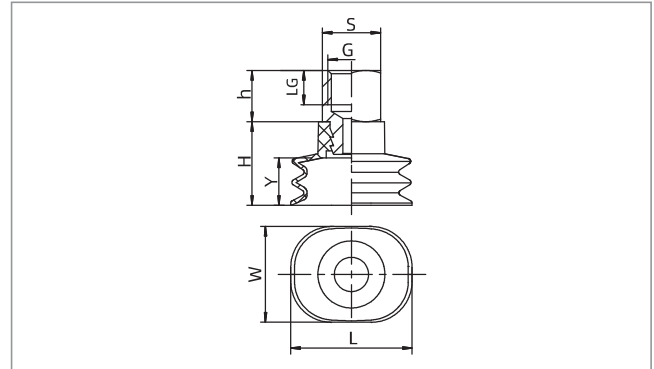
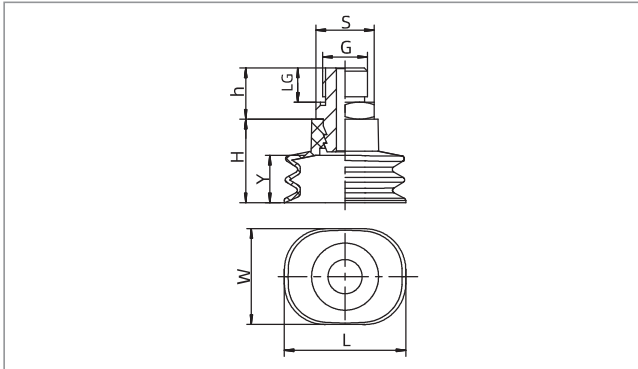
SBOF

SBOF Series

2.5 Bellows Oval Suction Cup



Dimensions(mm) - Suction cup with fitting



SBOF - Male thread connection

SBOF - Female thread connection

Model/Size	L	W	H	h	G	LG	S	Y
SBOF35×28V-M10M	35	28	24.5	15	M10×1.5	10	17	12
SBOF35×28V-G2M	35	28	24.5	15	G1/4	10	17	12
SBOF35×28V-G2F	35	28	24.5	15	G1/4	12	17	12
SBOF45×28V-M10M	45	28	25	15	M10×1.5	10	17	13
SBOF45×28V-G2M	45	28	25	15	G1/4	10	17	13
SBOF45×28V-G2F	45	28	25	15	G1/4	12	17	13

◇ Note: The dimensional tolerance conforms to GBT3672.1-2002-1 M3 rubber product dimensional tolerance standard

Mounting parts

Item	Model	Applicable suction cup
Fitting for suction cup	PJS-M10M-SBOF	SBOF35×28,SBOF45×28
	PJS-G2M-SBOF	SBOF35×28,SBOF45×28
	PJS-G2F-SBOF	SBOF35×28,SBOF45×28

- SZ
- SP3
- SUF
- SAN
- SAO
- SOFA
- STP
- SFT
- SFA
- SBT
- SBL
- SBLP
- SBS
- SFP
- SBP
- SXP
- SGP
- SBOF**
- STC
- SFF
- SOB
- SOF
- SOG
- SFM
- SOM
- SBF
- SDM
- SFU
- SFK
- SHT
- SDL
- SFG
- SFGT
- SFD
- SB
- SBA
- SF
- SU
- SPA
- SPD
- SPF
- SPC
- SPJ
- SPU
- SH
- SHB
- SBB
- SOP
- SNP