

# SFA Series

## Ultra-thin Lip Flat Suction Cup Special for Plastic Bags

AIRBEST



PLASTIC BAG



HIGH SEALING



### Features

- ◇ Ultra-thin sealing lip
- ◇ Support structure at the bottom

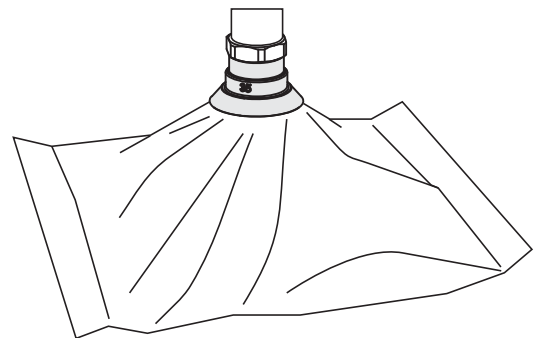
### Advantages

- ◇ Suitable for film products, can fit workpiece closely
- ◇ Prevent the workpiece from being sucked into suction cup and wrinkling
- ◇ Food grade silicone, suitable for food package



### Applications

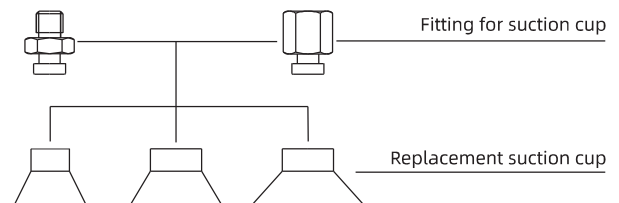
- ◇ Handling plastic film packaging bag
- ◇ Open film packaging bag in packaging production line



### Structure

- ◇ Suction cup and fitting are split structure design, wearing parts can be replaced separately

In same series, replacement suction cup and fitting can be combined on request.



# SFA Series

Ultra-thin Lip Flat Suction Cup Special for Plastic Bags



## How to order

### SFA 20 S - M5M

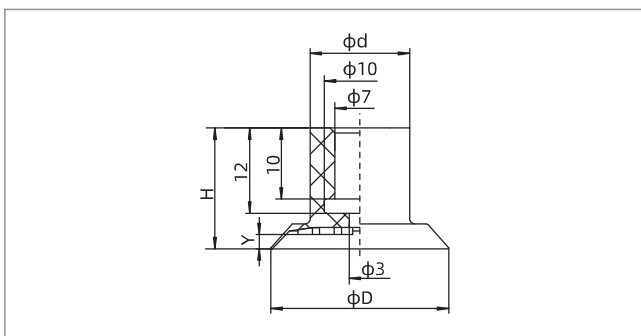
① ② ③ ④

① Series	② Diameter	③ Material & Hardness	④ Connection thread
SFA	20 - $\phi$ 20mm	S - Silicone <b>40</b>	Nil - Suction cup only
	25 - $\phi$ 25mm		M5M - M5x0.8 male thread    M5F - M5x0.8 female thread
	35 - $\phi$ 35mm		G1M - G1/8 male thread        M8F - M8x1.25 female thread
	50 - $\phi$ 50mm		G2M - G1/4 male thread G3M - G3/8 male thread

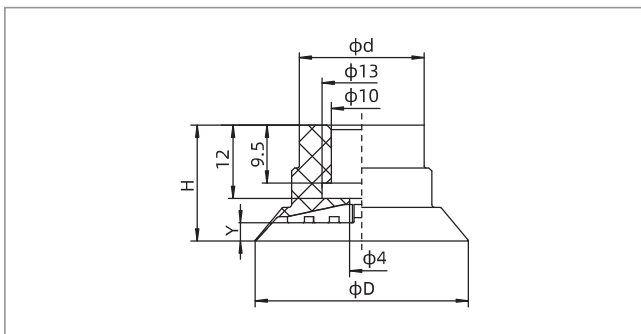
## Selection

Model	Connection thread		MPQ pcs
	M - Male thread	F - Female thread	
SFA20S	SFA20S-M5M    SFA20S-G1M	SFA20S-M5F	5
SFA25S	SFA25S-M5M    SFA25S-G1M	SFA25S-M5F	5
SFA35S	SFA35S-G2M    SFA35S-G3M	SFA35S-M8F	5
SFA50S	SFA50S-G2M    SFA50S-G3M	SFA50S-M8F	1

## Dimensions(mm) - Suction cup only



SFA20-25



SFA35-50

Model/Size	D	H	d	Y
SFA20S	20	17	13	1.6
SFA25S	25	17	14	2

Model/Size	D	H	d	Y
SFA35S	35	19	20.5	3
SFA50S	50	22	20.5	4.5

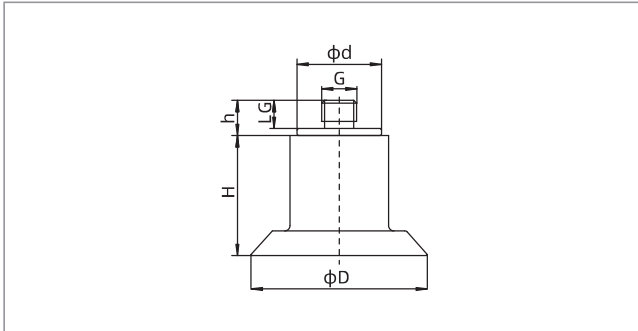
- SZ
- SP3
- SUF
- SAN
- SAO
- SOFA
- STP
- SFT
- [SFA](#)
- SBT
- SBL
- SBLP
- SBS
- SFP
- SBP
- SXP
- SGP
- SBOF
- STC
- SFF
- SOB
- SOE
- SOG
- SFM
- SOM
- SBF
- SDM
- SFU
- SFK
- SHT
- SDL
- SFG
- SFGT
- SFD
- SB
- SBA
- SF
- SU
- SPA
- SPD
- SPF
- SPC
- SPJ
- SPU
- SH
- SHB
- SBB
- SOP
- SNP

# SFA Series



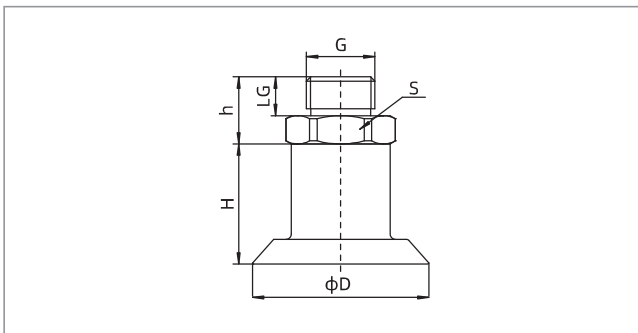
## Ultra-thin Lip Flat Suction Cup Special for Plastic Bags

### Dimensions(mm) - Suction cup with fitting



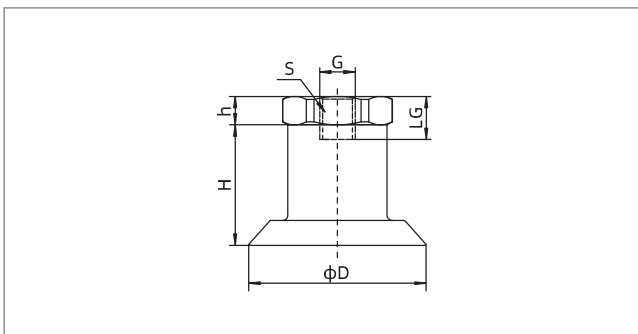
SFA - Male thread connection

Model/Size	D	H	h	G	LG	d
SFA20S-M5M	20	17	5	M5×0.8	4	12
SFA25S-M5M	25	17	5	M5×0.8	4	12



SFA - Male thread connection

Model/Size	D	H	h	G	LG	S
SFA20S-G1M	20	17	9.5	G1/8	5.5	14
SFA25S-G1M	25	17	9.5	G1/8	5.5	14
SFA35S-G2M	35	19	11.5	G1/4	6.5	21
SFA35S-G3M	35	19	11.5	G3/8	6.5	21
SFA50S-G2M	50	22	11.5	G1/4	6.5	21
SFA50S-G3M	50	22	11.5	G3/8	6.5	21



SFA - Female thread connection

Model/Size	D	H	h	G	LG	S
SFA20S-M5F	20	17	4	M5×0.8	5	14
SFA25S-M5F	25	17	4	M5×0.8	5	14
SFA35S-M8F	35	19	6	M8×1.25	8	21
SFA50S-M8F	50	22	6	M8×1.25	8	21

◇ Note: The dimensional tolerance conforms to GBT3672.1-2002-1 M3 rubber product dimensional tolerance standard

### Mounting parts

Item	Model	Applicable suction cup	
	M - Male thread	F - Female thread	
Fitting for suction cup	PJS-M5M-SFA20	PJS-M5F-SFA20	SFA20,25
	PJS-G1M-SFA20	-	SFA20,25
	PJS-G2M-SFA50	PJS-M8F-SFA50	SFA35,50
	PJS-G3M-SFA50	-	SFA35,50