

# SFF Series

**AIRBEST**

## Flat Suction Cup Special for Metal Sheet



METAL SHEET



SLIPPING RESISTANCE



OILY SURFACE



### Features

- ◇ Internal large area support structure
- ◇ Various sizes are available
- ◇ HK material for high temperature
- ◇ HD material for high temperature, small viscosity

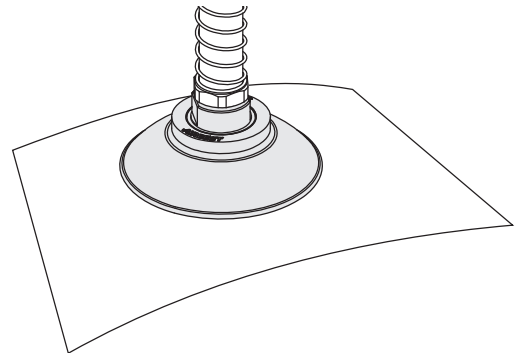
### Advantages

- ◇ Effectively enhance the friction force between suction cups and workpieces
- ◇ Suitable for workpieces with different sizes and shapes
- ◇ HK material with high temperature resistance up to 250°C, for handling hot metal sheet
- ◇ HD material with high temperature resistance up to 160°C, for markless handling hot glass



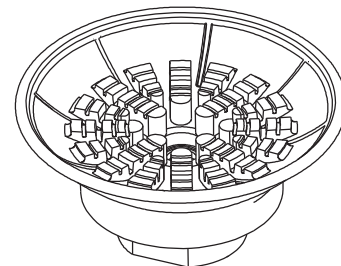
### Applications

- ◇ Handling of oily metal sheet
- ◇ Handling metal sheet and aluminum plates without deformation
- ◇ Used for loading and unloading of material during CNC or machine tool processing
- ◇ Handling curved metal sheets
- ◇ Used in automotive stamping metal parts handling systems



### Structure

- ◇ Suction cup and fitting are one-piece structure



# SFF Series

## Flat Suction Cup Speical for Metal Sheet

### How to order

## SFF 50 N - G3F

① ② ③ ④

① Series	② Diameter	③ Material & Hardness	④ Connection thread
SFF	30 - $\phi$ 30mm	N - NBR <span style="background-color: #ff6600; color: white; padding: 2px;">60</span>	G2F - G1/4 female thread
	40 - $\phi$ 40mm	NG - NBR <span style="background-color: #90ee90; color: black; padding: 2px;">45</span>	G3F - G3/8 female thread
	50 - $\phi$ 50mm	HK - High temperature 65(black) rubber	G2M - G1/4 male thread
	60 - $\phi$ 60mm	HD - High temperature 60(blue) / Markfree	M10M - M10 $\times$ 1.5 male thread
	80 - $\phi$ 80mm		M14M - M14 $\times$ 1.5 male thread
	100 - $\phi$ 100mm		RA - Rectangular adapter
	125 - $\phi$ 125mm		

### Selection

Model	Connection thread					
	G2M	M10M	M14M	G2F	G3F	RA
SFF30□-□	SFF30□-G2M	SFF30□-M10M	SFF30□-M14M	SFF30□-G2F	SFF30□-G3F	SFF30□-RA
SFF40□-□	SFF40□-G2M	SFF40□-M10M	SFF40□-M14M	SFF40□-G2F	SFF40□-G3F	SFF40□-RA
SFF50□-□	SFF50□-G2M	SFF50□-M10M	SFF50□-M14M	SFF50□-G2F	SFF50□-G3F	SFF50□-RA
SFF60□-□	SFF60□-G2M	SFF60□-M10M	SFF60□-M14M	SFF60□-G2F	SFF60□-G3F	SFF60□-RA
SFF80□-□	SFF80□-G2M	SFF80□-M10M	SFF80□-M14M	SFF80□-G2F	SFF80□-G3F	SFF80□-RA
SFF100□-□	SFF100□-G2M	SFF100□-M10M	SFF100□-M14M	SFF100□-G2F	SFF100□-G3F	SFF100□-RA
SFF125□-□	SFF125□-G2M	SFF125□-M10M	SFF125□-M14M	SFF125□-G2F	SFF125□-G3F	SFF125□-RA

### Technical parameters

Model	Vertical pull-out force N	Lateral pull-out force N	Lateral pull-out force Oily surface(N)	Inner volume cm <sup>3</sup>	Min.curve radius of workpiece mm	Weight g	Recommended hose dia. mm	MPQ pcs
SFF30	45	35	33	1.6	35	11	6	1
SFF40	72	54	51	3.5	47.5	13	6	1
SFF50	112	90	86	7.5	70	20	8	1
SFF60	145	102	93	12.6	81	26	8	1
SFF80	288	212	190	35	115	43	8	1
SFF100	445	322	308	60	141	57	8	1
SFF125	660	475	400	115	165	145	10	1

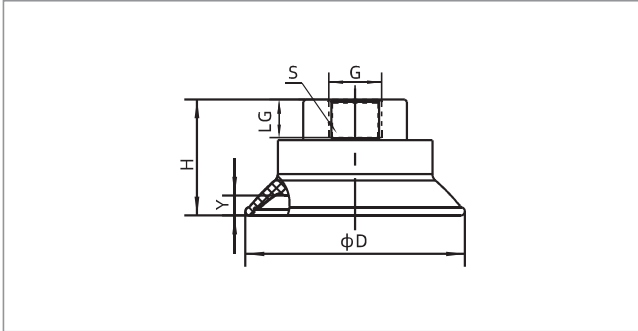
- SZ
- SP3
- SUF
- SAN
- SAO
- SOFA
- STP
- SFT
- SFA
- SBT
- SBL
- SBLP
- SBS
- SFP
- SBP
- SXP
- SGP
- SBOF
- STC
- SFF**
- SOB
- SOF
- SOG
- SFM
- SOM
- SBF
- SDM
- SFU
- SFK
- SHT
- SDL
- SFG
- SFGT
- SFD
- SB
- SBA
- SF
- SU
- SPA
- SPD
- SPF
- SPC
- SPJ
- SPU
- SH
- SHB
- SBB
- SOP
- SNP

# SFF Series

## Flat Suction Cup Special for Metal Sheet

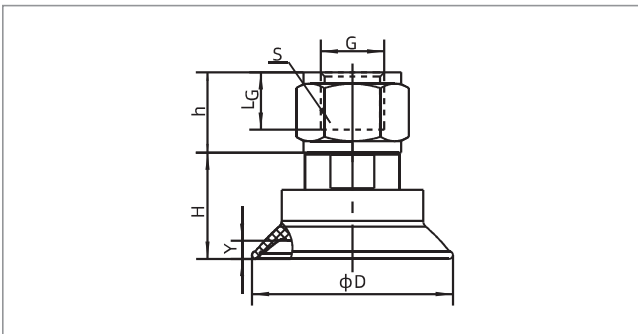


### Dimensions(mm)



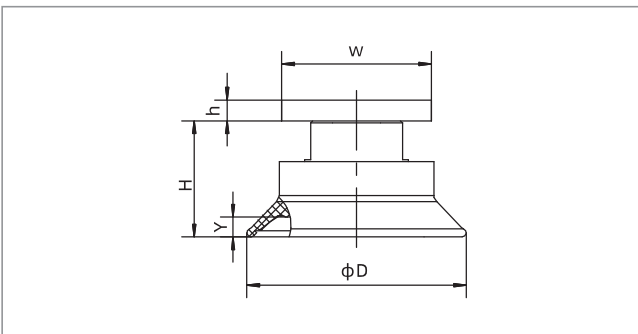
Model/Size	D	H	G	LG	S	Y
SFF30□-G2F	32	19.5	G1/4	11	17	2.7
SFF40□-G2F	42	22	G1/4	11	17	3.4
SFF50□-G3F	52	28	G3/8	13	22	4.7
SFF60□-G3F	62.5	31	G3/8	13	22	6
SFF80□-G3F	83	34.5	G3/8	13	22	6
SFF100□-G3F	102	36.5	G3/8	13	22	9.2
SFF125□-G3F	128	43	G3/8	13	22	12.5

F - Female thread connection



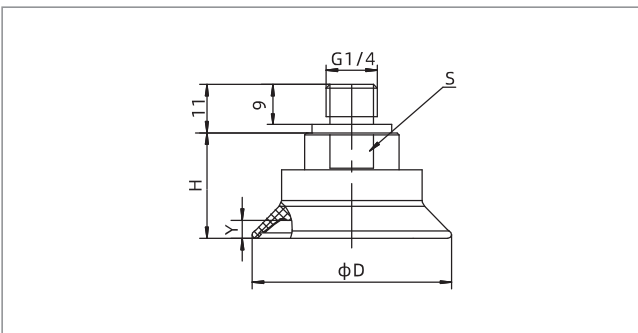
Model/Size	D	H	G	h	LG	S	Y
SFF30□-G3F	32	19.5	G3/8	14	11	22	2.7
SFF40□-G3F	42	22	G3/8	14	11	22	3.4
SFF50□-G2F	52	28	G1/4	14	11	22	4.7
SFF60□-G2F	62.5	31	G1/4	14	11	22	6
SFF80□-G2F	83	34.5	G1/4	14	11	22	6
SFF100□-G2F	102	36.5	G1/4	14	11	22	9.2
SFF125□-G2F	128	43	G1/4	14	11	22	12.5

F - Female thread connection



Model/Size	D	H	W	h	Y
SFF30□-RA	32	19.5	31.8×31.8	4.7	2.7
SFF40□-RA	42	22	31.8×31.8	4.7	3.7
SFF50□-RA	52	28	31.8×31.8	4.7	4.7
SFF60□-RA	62.5	31	31.8×31.8	4.7	6
SFF80□-RA	83	34.5	31.8×31.8	4.7	6
SFF100□-RA	102	36.5	31.8×31.8	4.7	9.2
SFF125□-RA	128	43	31.8×31.8	4.7	12.5

RA - Rectangular adapter



Model/Size	D	H	s	Y
SFF30□-G2M	32	19.5	17	2.7
SFF40□-G2M	42	22	17	3.7
SFF50□-G2M	52	28	22	4.7
SFF60□-G2M	62.5	31	22	6
SFF80□-G2M	83	34.5	22	6
SFF100□-G2M	102	36.5	22	9.2
SFF125□-G2M	128	43	22	12.5

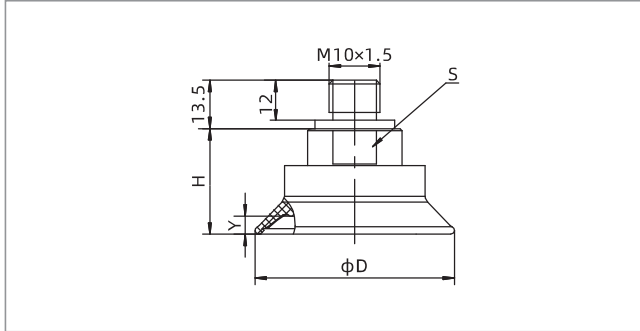
M - Male thread connection

# SFF Series

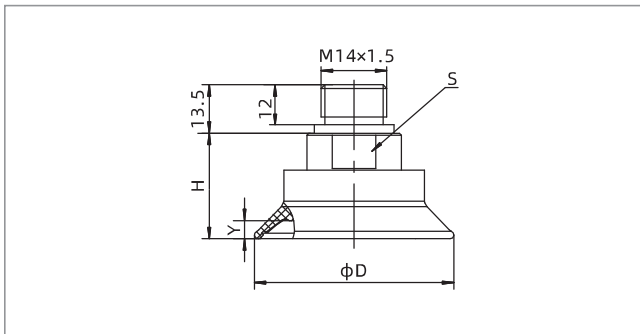
## Flat Suction Cup Special for Metal Sheet



### Dimensions(mm)



M - Male thread connection



M - Male thread connection

◇ Note: The dimensional tolerance conforms to GBT3672.1-2002-1 M3 rubber product dimensional tolerance standard

Model/Size	D	H	s	Y
SFF30□-M10M	32	19.5	17	2.7
SFF40□-M10M	42	22	17	3.7
SFF50□-M10M	52	28	22	4.7
SFF60□-M10M	62.5	31	22	6
SFF80□-M10M	83	34.5	22	6
SFF100□-M10M	102	36.5	22	9.2
SFF125□-M10M	128	43	22	12.5

Model/Size	D	H	s	Y
SFF30□-M14M	32	19.5	17	2.7
SFF40□-M14M	42	22	17	3.7
SFF50□-M14M	52	28	22	4.7
SFF60□-M14M	62.5	31	22	6
SFF80□-M14M	83	34.5	22	6
SFF100□-M14M	102	36.5	22	9.2
SFF125□-M14M	128	43	22	12.5

- SZ
- SP3
- SUF
- SAN
- SAO
- SOFA
- STP
- SFT
- SFA
- SBT
- SBL
- SBLP
- SBS
- SFP
- SBP
- SXP
- SGP
- SBOF
- STC
- SFF**
- SOB
- SOF
- SOG
- SFM
- SOM
- SBF
- SDM
- SFU
- SFK
- SHT
- SDL
- SFG
- SFGT
- SFD
- SB
- SBA
- SF
- SU
- SPA
- SPD
- SPF
- SPC
- SPJ
- SPU
- SH
- SHB
- SBB
- SOP
- SNP