

# SFK Series

AIRBEST

## Flat Suction Cup Special for Objects with Rough Surface



### Features

- ◇ Sealing ring is made of flexible EPDM foam rubber
- ◇ Internal large area support structure
- ◇ Small inner volume
- ◇ Various sizes are available

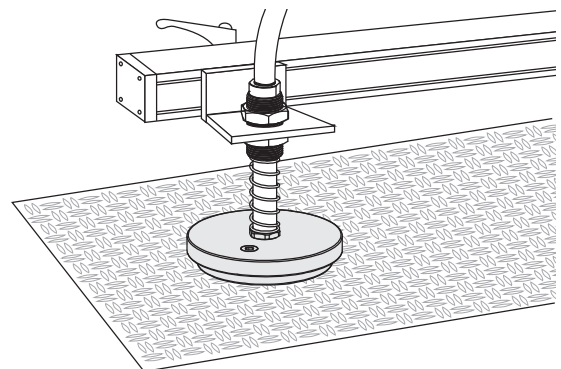
### Advantages

- ◇ Suitable for workpieces with rough or uneven surfaces
- ◇ Slipping resistance. Prevent thin workpiece from permanent deformation
- ◇ Short work cycle
- ◇ Suitable for workpieces with different sizes and shapes



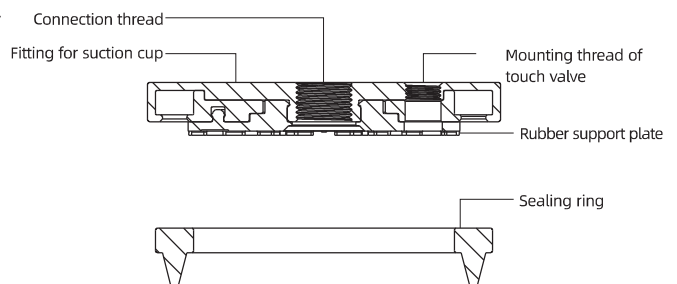
### Applications

- ◇ Handling workpieces with uneven surfaces, such as embossed steel plate, decorative glass, rough slate, wooden plate, etc.
- ◇ Touch valve is optional, which will close vacuum chamber when it detects that suction cups do not contact workpieces, in order to avoid vacuum leakage



### Structure

- ◇ Split structure design, wearing parts can be replaced separately
- ◇ Separate functional port is equipped



# SFK Series



## Flat Suction Cup Special for Objects with Rough Surface

Suction Cup

### How to order

## SFK 110 E - G4F - V

① ② ③ ④ ⑤

① Series	② Diameter	③ Material & Hardness	④ Connection thread	⑤ Special specification
SFK	110 - $\phi$ 110mm 160 - $\phi$ 160mm 200 - $\phi$ 200mm 250 - $\phi$ 250mm	E - EPDM	Nil - Sealing ring only G4F - G1/2 female thread	Nil - Standard V - With touch valve

### Selection

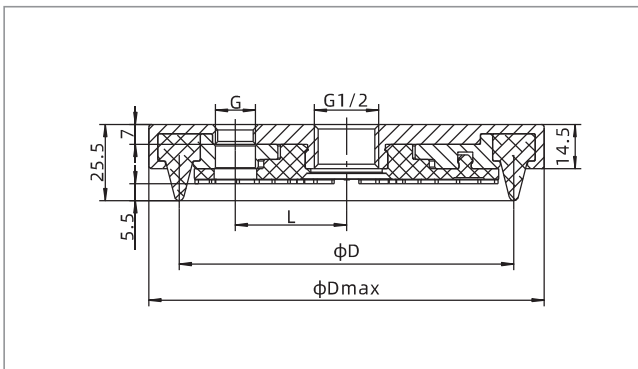
Model	Connection thread F - Female thread	
	SFK110E	SFK110E-G4F
SFK160E	SFK160E-G4F	SFK160E-G4F-V
SFK200E	SFK200E-G4F	SFK200E-G4F-V
SFK250E	SFK250E-G4F	SFK250E-G4F-V

### Technical parameters

Model	Pull-out force N	Inner volume cm <sup>3</sup>	Min.curve radius of workpiece mm	Weight g	Recommended hose dia. mm	MPQ pcs
SFK110	480	70	300	465	10	1
SFK160	1080	145	600	935	10	1
SFK200	1800	225	1000	1445	12	1
SFK250	2800	360	1500	2225	12	1

◇ Note: Testing vacuum level -60kPa, workpiece with smooth and clean surface. The data of pull-out force as above are figured out without considering safety factor. The data may be different according to different workpiece surfaces. Recommend the length of vacuum hose to be as short as possible, max 2m.

### Dimensions(mm)



Model/Size	Dmax	D	G	L
SFK110E-G4F	130	110	G1/4	36.5
SFK160E-G4F	179	160	G1/4	36.5
SFK200E-G4F	219	200	G1/2	76
SFK250E-G4F	269	250	G1/2	76

SFK110-250

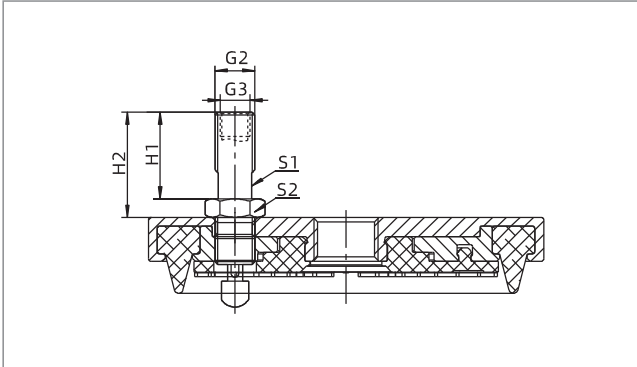
SZ  
SP3  
SUF  
SAN  
SAO  
SOFA  
STP  
SFT  
SFA  
SBT  
SBL  
SBLP  
SBS  
SFP  
SBP  
SXP  
SGP  
SBOF  
STC  
SFF  
SOB  
SOF  
SOG  
SFM  
SOM  
SBF  
SDM  
SFU  
SFK  
SHT  
SDL  
SFG  
SFGT  
SFD  
SB  
SBA  
SF  
SU  
SPA  
SPD  
SPF  
SPC  
SPJ  
SPU  
SH  
SHB  
SBB  
SOP  
SNP

# SFK Series



## Flat Suction Cup Special for Objects with Rough Surface

### Dimensions(mm)



SFK110-250

Model/Size	G2	G3	H1	H2	S1	S2
SFK110E-G4F-V	G1/4	G1/8	27.5	33.5	11	17
SFK160E-G4F-V	G1/4	G1/8	27.5	33.5	11	17
SFK200E-G4F-V	G1/2	G3/8	29.5	37.5	19	27
SFK250E-G4F-V	G1/2	G3/8	29.5	37.5	19	27

- ◇ Note: 1. The dimensional tolerance conforms to GBT3672.1-2002-1 M3 rubber product dimensional tolerance standard  
 2. The height of the touch valve contact beyond the suction cup lip can be adjusted by itself according to the actual application.  
 Locking the nut after height position is determined.  
 Applicable thread sealant should be applied to the thread connection of touch valve and fitting for suction cup

### Accessories

Item	Model	Applicable suction cup
Touch valve	ZVD-G2M	SFK110,160
	ZVD-G4M	SFK200,250