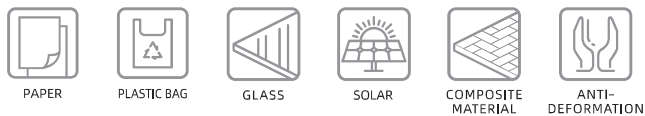


# SFT Series

## Thin Lip Flat Suction Cup



Suction Cup

### Features

- ◇ Ultra-thin sealing lip
- ◇ High temperature and mark free material is optional

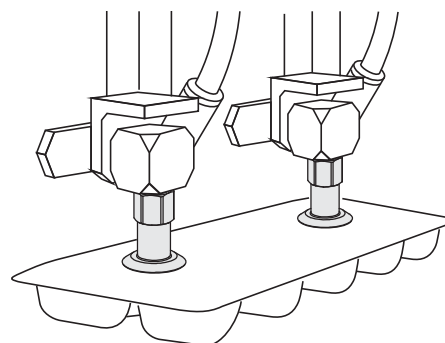
### Advantages

- ◇ Suitable for film, paper and solar panels
- ◇ Prevent the workpiece from being sucked into the suction cup
- ◇ Suction without mark, can also for high temperature and mark free
- ◇ Prevent paper and film from wrinkling
- ◇ High temperature resistance, ozone resistance and UV radiation, suitable for handling in paper and printing industry



### Applications

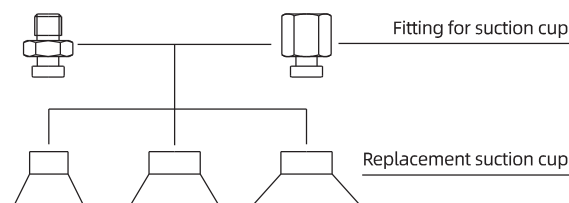
- ◇ Handling all kinds of packaging materials, such as paper, plastic film, opening plastic bag
- ◇ Handling fragile workpieces, such as thin wooden panels, solar silicon wafers, solar cell



### Structure

- ◇ Suction cup and fitting are split structure design, wearing parts can be replaced separately

In same series, replacement suction cup and fitting can be combined on request.



- SZ
- SP3
- SUF
- SAN
- SAO
- SOFA
- STP**
- SFT**
- SFA
- SBT
- SBL
- SBLP
- SBS
- SFP
- SBP
- SXP
- SGP
- SBOF
- STC
- SFF
- SOB
- SOF
- SOG
- SFM
- SOM
- SBF
- SDM
- SFU
- SFK
- SHT
- SDL
- SFG
- SFGT
- SFD
- SB
- SBA
- SF
- SU
- SPA
- SPD
- SPF
- SPC
- SPJ
- SPU
- SH
- SHB
- SBB
- SOP
- SNP

# SFT Series

## Thin Lip Flat Suction Cup



### How to order

## SFT 15 HD - M5M

① ② ③ ④

① Series	② Diameter	③ Material & Hardness	④ Connection thread
SFT	15 - $\phi$ 15mm	WS - White silicone	50 Nil - Suction cup only
	20 - $\phi$ 20mm	HD - High temp/ Mark free material	60 M5M - M5x0.8 male thread
	24 - $\phi$ 24mm	NR - Natural rubber	40 G1M - G1/8 male thread
	30 - $\phi$ 30mm		G2M - G1/4 male thread
	34 - $\phi$ 34mm		G1F - G1/8 female thread
	35 - $\phi$ 35mm		G2F - G1/4 female thread
	40 - $\phi$ 40mm		

### Selection

Model	Connection thread	
	M - Male thread	F - Female thread
SFT15□	SFT15□-M5M SFT15□-G1M	SFT15□-G1F
SFT20□	SFT20□-M5M SFT20□-G1M	SFT20□-G1F
SFT24□	SFT24□-M5M SFT24□-G1M	SFT24□-G1F
SFT30□	SFT30□-G2M	SFT30□-G2F
SFT34□	SFT34□-G2M	SFT34□-G2F
SFT35□	SFT35□-G2M	SFT35□-G2F
SFT40□	SFT40□-G2M	SFT40□-G2F

### Technical parameters

Model	Pull-out force N	Inner volume cm <sup>3</sup>	Min.curve radius of workpiece mm	Weight g	Recommended hose dia. mm	MPQ pcs
SFT15	8	0.2	16	0.5	6	10
SFT20	14	0.5	18	0.8	6	5
SFT24	20	0.7	23	1	6	5
SFT30	32	1.3	28	2.7	8	5
SFT34	41	2	33	3.1	8	5
SFT35	43	1.5	19	5.8	8	5
SFT40	56.5	3	39	4.5	8	5

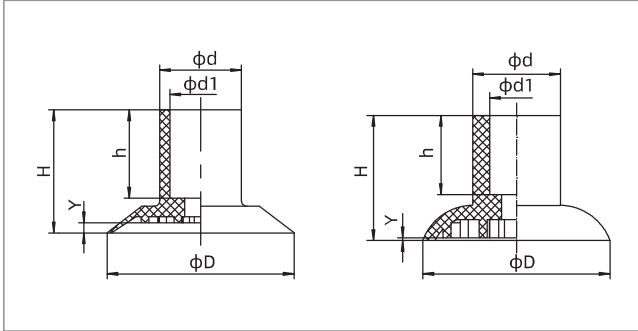
◇ Note: Testing vacuum level -60kPa, workpiece with smooth and clean surface. The data of pull-out force as above are figured out without considering safety factor. The data may be different according to different workpiece surfaces. Recommend the length of vacuum hose to be as short as possible, max 2m.

# SFT Series

## Thin Lip Flat Suction Cup

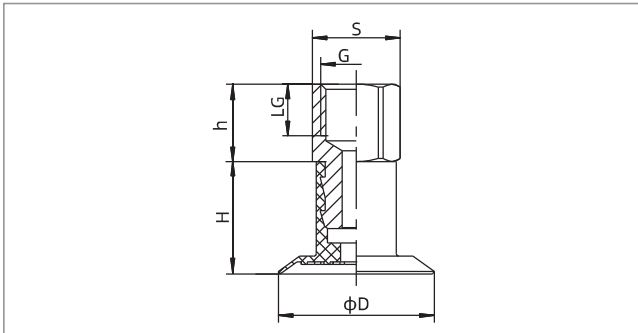


### Dimensions(mm) - Suction cup only

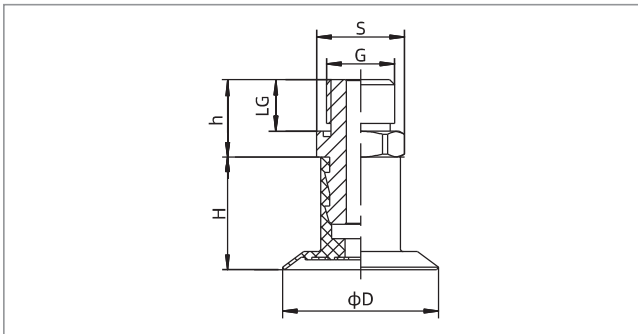


SFT15-40

SFT35



SFT - Female thread connection



SFT - Male thread connection

Model/Size	D	H	d	h	d1	Y
SFT15□	14.5	10	9	7.2	4.5	0.9
SFT20□	20.9	10.4	10.5	7.2	4.5	1.5
SFT24□	24.4	10.8	10	7.2	4.5	1.7
SFT30□	30.6	21.8	15.6	15.7	11.2	2
SFT34□	34.5	23	14.8	16.8	11.2	1.4
SFT35□	35	23.5	16.5	14.8	10	0.5
SFT40□	40.5	20.5	16	14.5	8	2.3

Model/Size	D	H	h	G	LG	S
SFT15□-G1F	14.5	10	12	G1/8	8	14
SFT20□-G1F	20.9	10.4	12	G1/8	8	14
SFT24□-G1F	24.4	10.8	12	G1/8	8	14
SFT30□-G2F	30.6	21.8	15	G1/4	10	17
SFT34□-G2F	34.5	23	15	G1/4	10	17
SFT35□-G2F	35	23.5	15	G1/4	10	17
SFT40□-G2F	40.5	20.5	15	G1/4	10	17

Model/Size	D	H	h	G	LG	S
SFT15□-M5M	14.5	10	10	M5×0.8	5	7
SFT15□-G1M	14.5	10	13.5	G1/8	7.5	14
SFT20□-M5M	20.9	10.4	10	M5×0.8	5	7
SFT20□-G1M	20.9	10.4	13.5	G1/8	7.5	14
SFT24□-M5M	24.4	10.8	10	M5×0.8	5	7
SFT24□-G1M	24.4	10.8	13.5	G1/8	7.5	14
SFT30□-G2M	30.6	21.8	15	G1/4	10	17
SFT34□-G2M	34.5	23	15	G1/4	10	17
SFT35□-G2M	35	23.5	15	G1/4	10	17
SFT40□-G2M	40.5	20.5	15	G1/4	10	17

◇ Note: The dimensional tolerance conforms to GBT3672.1-2002-1 M3 rubber product dimensional tolerance standard

### Mounting parts

Item	Model M - Male thread	F - Female thread	Applicable suction cup
Fitting for suction cup	PJS-M5M-SFT24	-	SFT15, 20, 24
	PJS-G1M-SFT24	PJS-G1F-SFT24	SFT15, 20, 24
	PJS-G2M-SFT34	PJS-G2F-SFT34	SFT30, 34
	PJS-G2M-SFT35	PJS-G2F-SFT35	SFT35
	PJS-G2M-SFT40	PJS-G2F-SFT40	SFT40

- SZ
- SP3
- SUF
- SAN
- SAO
- SOFA
- STP
- SFT
- SFA
- SBT
- SBL
- SBLP
- SBS
- SFP
- SBP
- SXP
- SGP
- SBOF
- STC
- SFF
- SOB
- SOF
- SOG
- SFM
- SOM
- SBF
- SDM
- SFU
- SFK
- SHT
- SDL
- SFG
- SFGT
- SFD
- SB
- SBA
- SF
- SU
- SPA
- SPD
- SPF
- SPC
- SPJ
- SPU
- SH
- SHB
- SBB
- SOP
- SNP