

# SFU Series

## Big Flat Suction Cup

AIRBEST



METAL SHEET



WOOD



HEAVY LOAD



### Features

- ◇ Large area support structure at bottom
- ◇ Double sealing lip
- ◇ Small inner volume
- ◇ Rubber parts can be replaced separately
- ◇ Various sizes are available

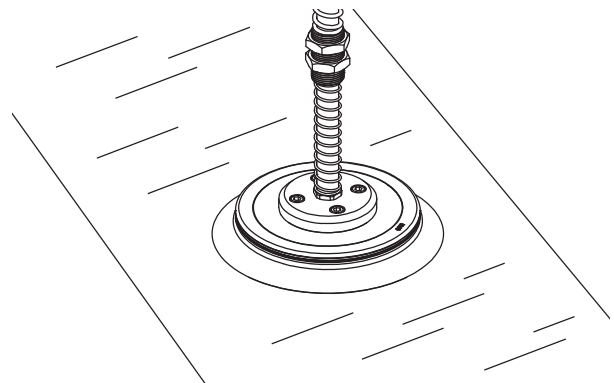
### Advantages

- ◇ Prevent thin workpieces from permanent deformation
- ◇ Excellent airtightness, large suction force
- ◇ Short work cycle
- ◇ Reduce customer's cost greatly
- ◇ Suitable for workpieces with different sizes and shapes



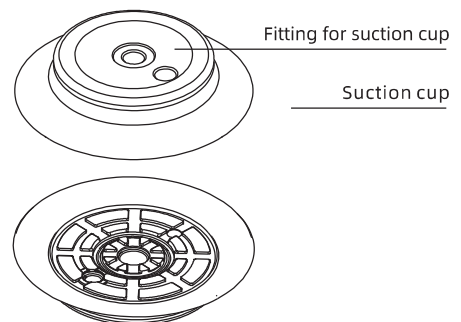
### Applications

- ◇ Handling workpieces with flat or slightly deformed surfaces
- ◇ Touch valve is optional, which closes relevant vacuum circuit when it detects that there is no contact with workpiece



### Structure

- ◇ Fitting for suction cup and rubber parts are split structure design, wearing parts can be replaced separately
- ◇ Separate functional port is available
- ◇ Touch valve is optional, preventing accidental vacuum leakage



# SFU Series

## Big Flat Suction Cup

### How to order

SFU 210 H N - G4F - V

①      ②      ③      ④      ⑤      ⑥

① Series	② Diameter	③ Stroke	④ Material & Hardness	⑤ Connection thread	⑥ Special specification
SFU	100 - φ100mm	Nil - Standard stroke	N - NBR	55 G2F - G1/4 female thread	Nil - Standard
	125 - φ125mm	H - High stroke	WS - White silicone	60 G3F - G3/8 female thread	V - With touch valve
	160 - φ160mm			G4F - G1/2 female thread	
	210 - φ210mm				
	250 - φ250mm				
	300 - φ300mm				
	360 - φ360mm				
	400 - φ400mm				

### Selection

Model	Connection thread	Special specification
SFU100□	SFU100□-G2F	-
SFU125□	SFU125□-G2F	SFU125□-G2F-V
SFU160□	SFU160□-G4F	SFU160□-G4F-V
SFU210□    SFU210H□	SFU210□-G4F    SFU210H□-G4F	SFU210□-G4F-V
SFU250□    SFU250H□	SFU250□-G4F    SFU250H□-G4F	SFU250□-G4F-V
SFU300□	SFU300□-G4F	-
-            SFU360H□	-                    SFU360H□-G4F	-
SFU400□	SFU400□-G4F	-

### Technical parameters

Model	Pull-out force N	Inner volume cm <sup>3</sup>	Min.curve radius of workpiece mm	Weight g	Recommended hose dia. mm	MPQ pcs
SFU100□-G2F	400	45	175	108	12	1
SFU125□-G2F	670	78	275	215	12	1
SFU160□-G4F	1,100	145	475	397	16	1
SFU210□-G4F	1,900	190	1,050	861	16	1
SFU210H□-G4F	1,900	300	550	885	16	1
SFU250□-G4F	2,600	370	1,100	1,230	16	1
SFU250H□-G4F	2,600	500	750	1,332	16	1
SFU300□-G4F	4,000	490	1,800	1,996	16	1
SFU360H□-G4F	5,800	1,250	1,500	3,696	16	1
SFU400□-G4F	7,000	860	3,300	4,720	16	1

◇ Note: Testing vacuum level -60kPa, workpiece with smooth and clean surface. The data of pull-out force as above are figured out without considering safety factor. The data may be different according to different workpiece surfaces. Recommend the length of vacuum hose to be as short as possible, max 2m.

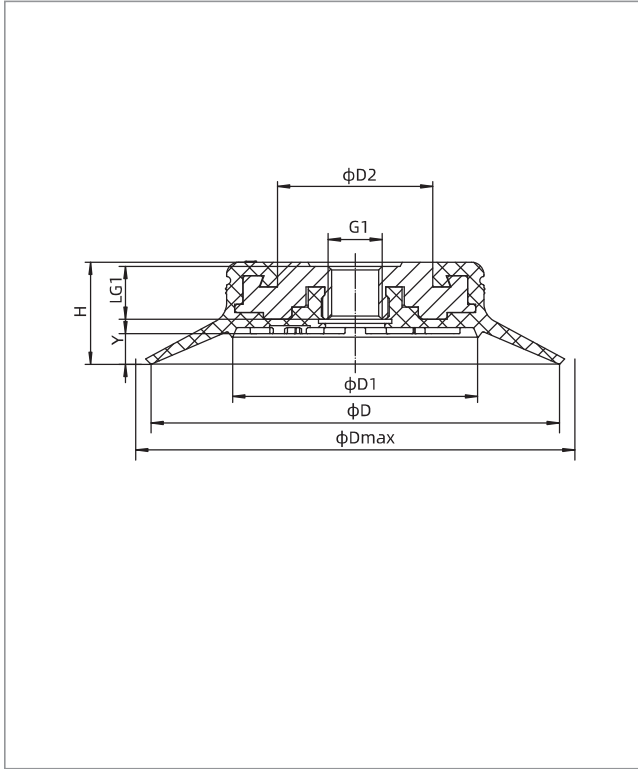
- SZ
- SP3
- SUF
- SAN
- SAO
- SOFA
- STP
- SFT
- SFA
- SBT
- SBL
- SBLP
- SBS
- SFP
- SBP
- SXP
- SGP
- SBOF
- STC
- SFF
- SOB
- SOF
- SOG
- SFM
- SOM
- SBF
- SDM
- SFU**
- SBK
- SHT
- SDL
- SFG
- SFGT
- SFD
- SB
- SBA
- SF
- SU
- SPA
- SPD
- SPF
- SPC
- SPJ
- SPU
- SH
- SHB
- SBB
- SOP
- SNP

# SFU Series

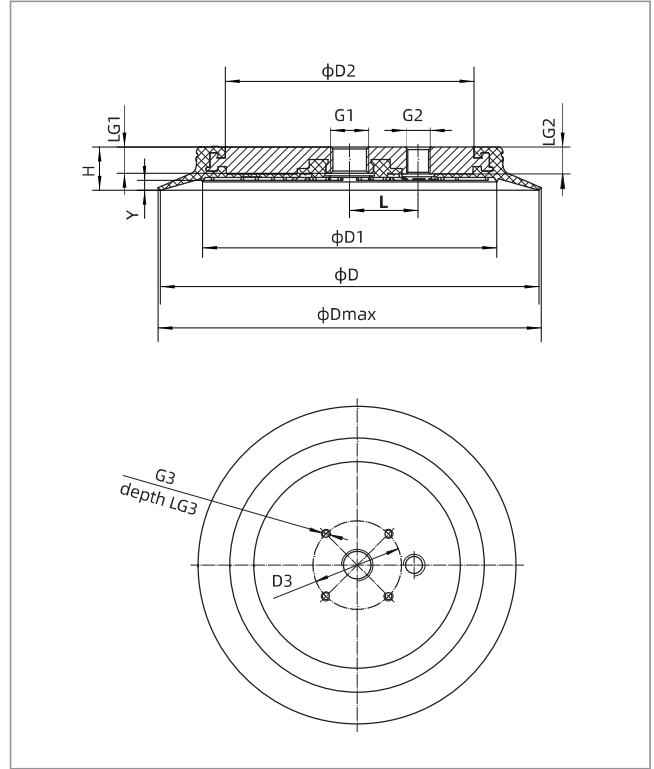
## Big Flat Suction Cup



### Dimensions(mm)



SFU100



SFU125-400

Model/Size	D	Dmax	D1	D2	D3	H	G1	G2	LG1	LG2	G3	LG3	L	Y
SFU100□-G2F	100	108	60	38	-	25	G1/4	-	13	-	-	-	-	7
SFU125□-G2F	125	132	83	64	-	25	G1/4	G1/4	13	14	-	-	24	7
SFU160□-G4F	160	170	113	91	-	25	G1/2	G1/4	13	15	-	-	38	7
SFU210□-G4F	210	220	163	138	59	25	G1/2	G1/4	14.5	15	M6	8	38	5
SFU210H□-G4F	210	220	159	138	59	30	G1/2	G1/4	14.5	15	M6	8	38	10
SFU250□-G4F	250	265	203	178	59	26	G1/2	G1/2	14.5	15	M6	8	76	7
SFU250H□-G4F	250	265	203	178	59	30	G1/2	G1/2	14.5	15	M6	8	76	11
SFU300□-G4F	300	320	253	226.5	59	25.5	G1/2	G1/2	14.5	15	M8	10	76	6
SFU360H□-G4F	360	385	309	275	59	35	G1/2	G1/2	17	17	M8	10	86	12
SFU400□-G4F	400	430	349	315	59	29	G1/2	G1/2	17	17	M8	10	86	6

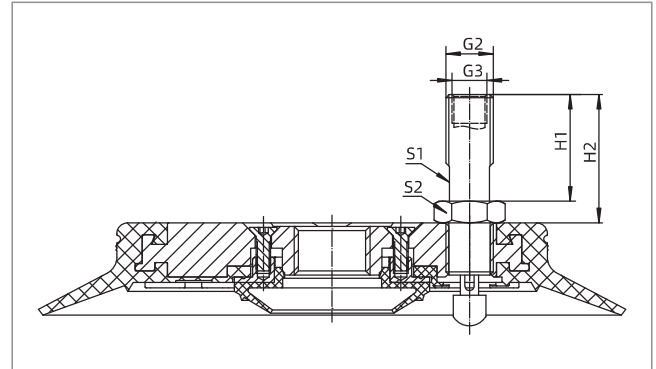
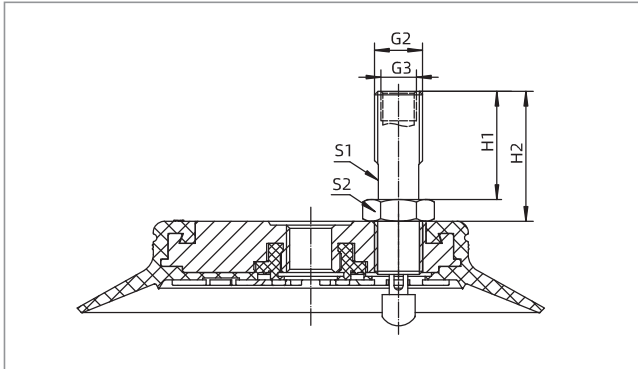
◇ Note: 1. The dimensional tolerance conforms to GB/T3672.1-2002-1 M3 rubber product dimensional tolerance standard.  
 2. Dmax is outer diameter of the suction cup when it is completely compressed

# SFU Series

## Big Flat Suction Cup



### Dimensions(mm)



SFU125

SFU160-250

Model/Size	G2	G3	H1	H2	S1	S2
SFU125□-G2F-V	G1/4	G1/8	30	36	11	17
SFU160□-G4F-V	G1/4	G1/8	30	36	11	17
SFU210□-G4F-V	G1/4	G1/8	30	36	11	17
SFU250□-G4F-V	G1/2	G3/8	31.5	39.5	19	27

### Mounting parts

Item	Model	Applicable suction cup
Touch valve	ZVD-G2M	SFU125,160,210
	ZVD-G4M	SFU250

Item	Model	Applicable suction cup
Rubber parts for suction cup	SFU100N SFU100WS	SFU100□-G2F
	SFU125N SFU125WS	SFU125□-G2F
	SFU160N SFU160WS	SFU160□-G4F
	SFU210N SFU210WS	SFU210□-G4F
	SFU210HN SFU210HWS	SFU210H□-G4F
	SFU250N SFU250WS	SFU250□-G4F
	SFU250HN SFU250HWS	SFU250H□-G4F
	SFU300N SFU300WS	SFU300□-G4F
	SFU360HN SFU360HWS	SFU360H□-G4F
	SFU400N SFU400WS	SFU400□-G4F

◇ Note: When you buy rubber parts only, pls ensure that the fitting for suction cup you buy is in good condition, and send it back to factory to replace the rubber parts

- SZ
- SP3
- SUF
- SAN
- SAO
- SOFA
- STP
- SFT
- SFA
- SBT
- SBL
- SBLP
- SBS
- SFP
- SBP
- SXP
- SGP
- SBOF
- STC
- SFF
- SOB
- SOF
- SOG
- SFM
- SOM
- SBF
- SDM
- SFU**
- SBK
- SHT
- SDL
- SFG
- SFGT
- SFD
- SB
- SBA
- SF
- SU
- SPA
- SPD
- SPF
- SPC
- SPJ
- SPU
- SH
- SHB
- SBB
- SOP
- SNP