

SHT Series

High Temperature Suction Cup



Features

- ◇ The body is made of stainless steel
- ◇ The sealing ring is made of special high temperature resistant textile material
- ◇ Long time high temperature resistance up to 600°C

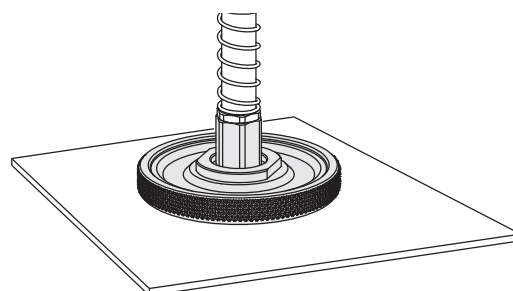
Advantages

- ◇ Strong wear resistance
- ◇ Excellent high temperature resistance, can achieve long time contact with the workpiece



Applications

- ◇ Handling workpieces with smooth and flat surfaces
- ◇ Hot forming of metal workpieces and other processes
- ◇ For float glass and tempering processes
- ◇ Note: All components in the matching vacuum circuit should be made of high temperature resistant materials



Structure

- ◇ Split structure design, wearing parts can be replaced separately

How to order

SHT 35 - G1F
 ① ② ③

① Series	② Diameter	③ Connection thread
SHT	35 - ϕ 35mm 60 - ϕ 60mm 90 - ϕ 90mm	Nil - Sealing parts only G1F - G1/8 female thread G2F - G1/4 female thread

Selection

Model	Connection thread	
	G1F	G2F
SHT35-□	SHT35-G1F	-
SHT60-□	-	SHT60-G2F
SHT90-□	-	SHT90-G2F

SHT Series

High Temperature Suction Cup

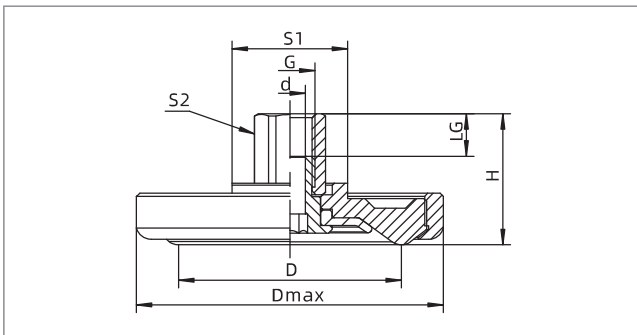


Technical parameters

Model	Pull-out force N	Inner volume cm ³	Vacuum flow (NL/min) (Vacuum level-70kPa)	Weight g	Recommended hose dia. mm	MPQ pcs
SHT35-G1F	60	4	20	195	6	1
SHT60-G2F	130	10	22	408	8	1
SHT90-G2F	280	30	24	655	8	1

◇ Note: Testing vacuum level -60kPa, workpiece with smooth and clean surface. The data of pull-out force as above are figured out without considering safety factor. The data may be different according to different workpiece surfaces.

Dimensions(mm)



SHT

Model/Size	D	H	G	LG	Dmax	d	S1	S2
SHT35-G1F	35	28	G1/8	9	53	6	30	14
SHT60-G2F	58	34	G1/4	11	80	8	30	17
SHT90-G2F	90	33	G1/4	11	112	8	46	17