

SLB Series

Thin Lip Flow Gripper

AIRBEST



ELECTRONICS



NEW ENERGY



POROUS



Features

- ◇ Large vacuum flow
- ◇ Integrated with vacuum generator, suction cup, silencer/pagoda fitting
- ◇ Vertical and horizontal mounting types
- ◇ Suction cup with rubber material, flexible, high suction force, protect the surface of workpiece

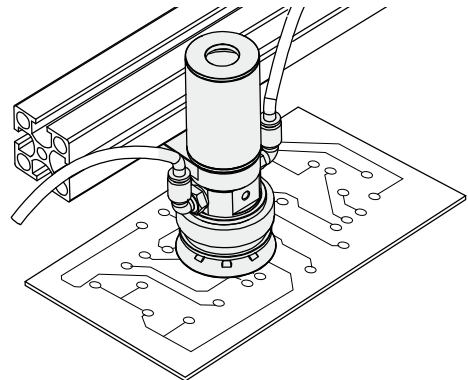
Advantages

- ◇ Flexible gripping, prevent damage to the workpiece during handling
- ◇ Large vacuum flow, suitable for handling porous workpiece
- ◇ Easy to install, different types for option
- ◇ Simple structure, integrated design, could connect to compressed air directly, no need extra vacuum generator
- ◇ Minimize noise, pagoda fitting could be used to collect the exhausted air, no pollution



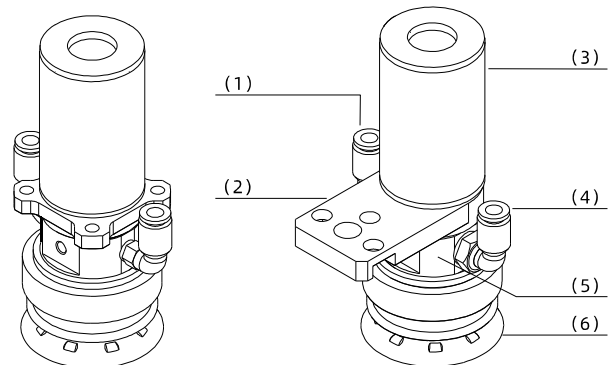
Application

- ◇ Suitable for handling porous workpieces, such as printed PCB, PVC board
- ◇ Suitable for food industry, such as biscuit, bread, etc.
- ◇ Suitable for handling irregular workpieces



Structure

- ◇ (1) Release/Vacuum detecting port
- ◇ (2) Mounting flange
- ◇ (3) Silencer
- ◇ (4) Air supply port
- ◇ (5) Vacuum generator
- ◇ (6) Adsorbing surface



SLB Series

Thin Lip Flow Gripper

How to order

SLB 50 E - M10 S D - F13
 ① ② ③ ④ ⑤ ⑥ ⑦

① Series	② Dia. of suction cup	③ Material of suction cup	④ Specification of vacuum generator
SLB	30 - φ30mm	WS - White silicone 50	M10 - Diameter φ10mm
	50 - φ50mm	E - EPDM 55	M20 - Diameter φ20mm
⑤ Exhaust direction		⑥ Vacuum release function	⑦ Mounting flange
S - Vertical + silencer		D - With vacuum release port	F2 - Vertical, 84×9mm
T - Vertical + pagoda fitting			F4 - Horizontal, 95×9mm
			F11 - Horizontal, 71×9mm
			F13 - Vertical, 55×6mm

◇ Note: For specification of M20, white silicone material is not available

Selection

Model/ Diameter of suction cup 30	50	
SLB30E-M10SD-F11	SLB50E-M10SD-F11	SLB50WS-M10SD-F11
SLB30E-M10SD-F13	SLB50E-M10SD-F13	SLB50WS-M10SD-F13
SLB30E-M10TD-F11	SLB50E-M10TD-F11	SLB50WS-M10TD-F11
SLB30E-M10TD-F13	SLB50E-M10TD-F13	SLB50WS-M10TD-F13
-	SLB50E-M20SD-F2	-
-	SLB50E-M20SD-F4	-

Technical parameters

Model	Air supply pressure range bar	Rated air supply pressure bar	Max. vacuum level -kPa	Max. vacuum flow NL/min	Air consumption NL/min	Working temperature °C
SLB30-M10	1.0~7.0	5.0	16	680~690	165	0~60
SLB50-M10	1.0~7.0	5.0	16	680~690	165	0~60
SLB50-M20	1.0~7.0	5.0	4.5	1,070~1,315	260	0~60

Vacuum flow (NL/min) at different vacuum levels (-kPa)

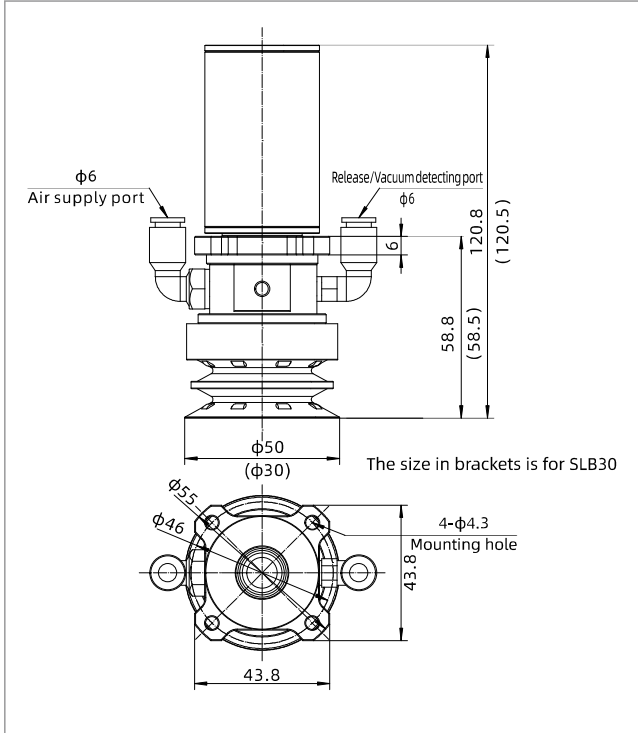
Model	Air supply pressure bar	Air consumption NL/min	0	1.5	2.5	3.5	4.5	5.5	6.5	7.5	11	Max. vacuum level -kPa
SLB30-M10	5.0	165	550	530	470	420	350	300	250	170	100	16
SLB50-M10	5.0	165	550	530	470	420	350	300	250	170	100	16
SLB50-M20	5.0	260	1,315	1,120	1,050	980	880	-	-	-	-	4.5

SLB Series

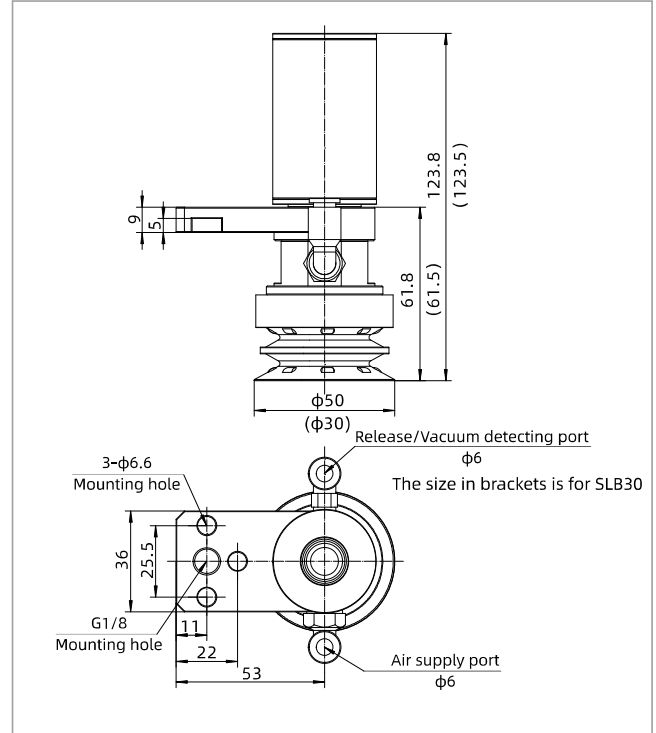
Thin Lip Flow Gripper



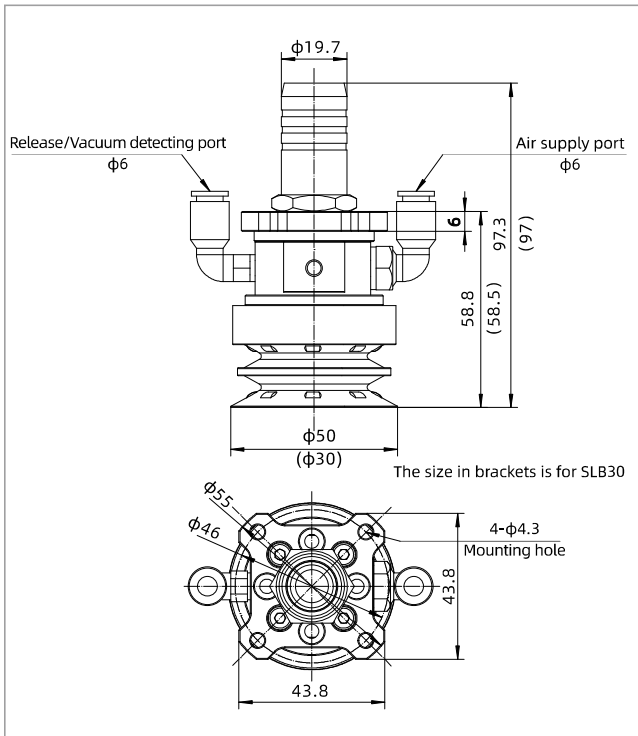
Dimensions(mm)



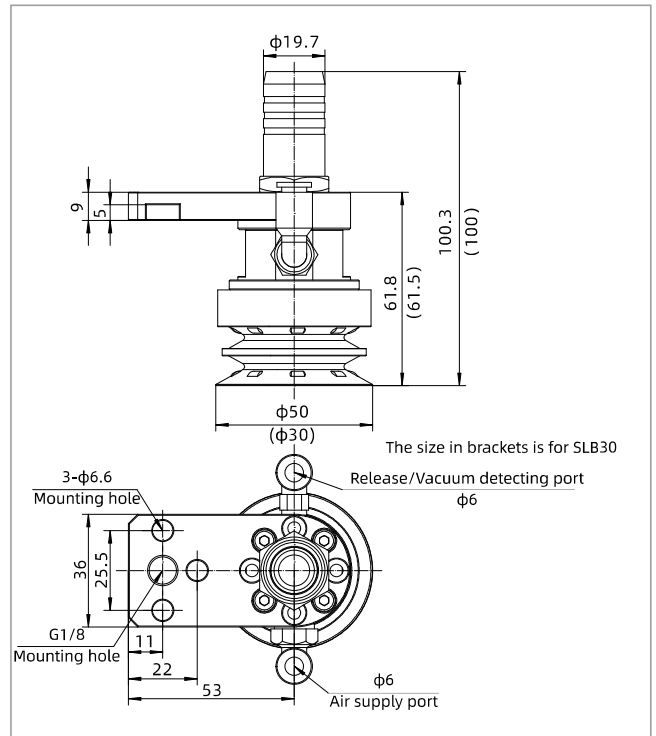
SLB50(30)E-M10SD-F13



SLB50(30)E-M10SD-F11



SLB50(30)E-M10TD-F13



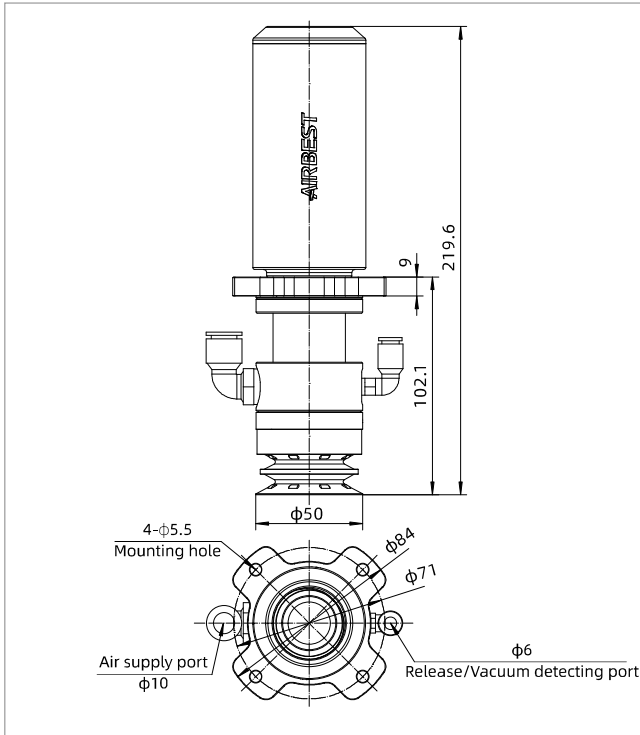
SLB50(30)E-M10TD-F11

SLB Series

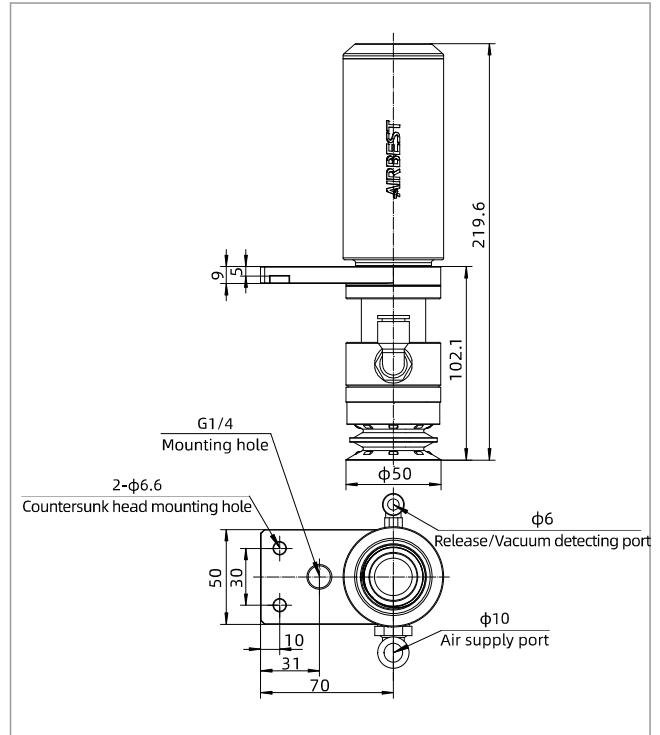
Thin Lip Flow Gripper



Dimensions(mm)



SLB50-M20SD-F2



SLB50-M20SD-F4

- SLG
- SNC
- SNT
- SLP
- SLB**
- SLW
- SLF