

SLG Series

Magnetic Gripper



Features

- ◇ Gripping by magnetic force
- ◇ Permanent magnet for safe gripping
- ◇ Different connection thread for option
- ◇ No need of electric power

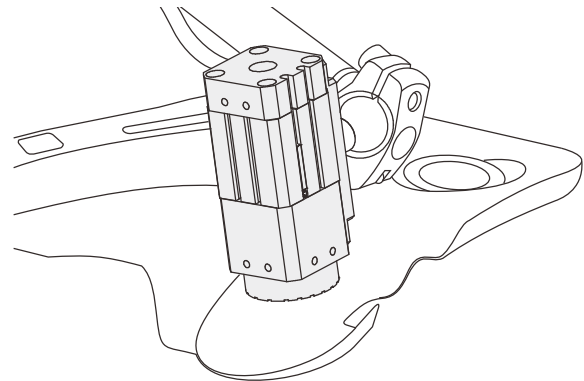
Advantages

- ◇ Compact size, light weight, easy to install
- ◇ Solid and durable
- ◇ Anti-skid ring could be easily replaced



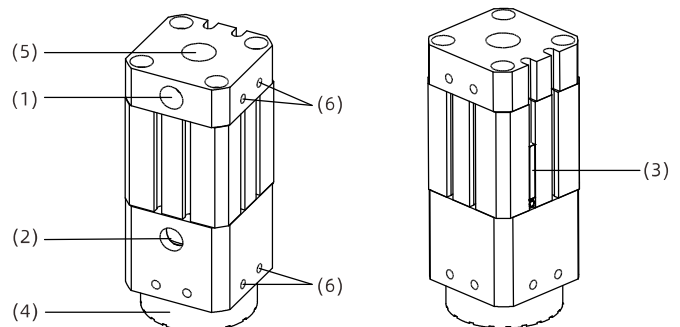
Application

- ◇ Suitable for handling ferromagnetic workpieces
- ◇ Suitable for handling perforated sheet metal, complex laser cutting workpieces



Structure

- ◇ (1) Air supply port (grip)
- ◇ (2) Air supply port (release)
- ◇ (3) The magnetic switch
- ◇ (4) Anti-skid ring
- ◇ (5) Center threaded mounting hole
- ◇ (6) Side threaded mounting hole



SLG Series

Magnetic Gripper

How to order

SLG 40 - G1F

① ② ③

① Series	② Dimension	③ Connection thread
SLG	20 - φ20mm 30 - φ30mm 40 - φ40mm 50 - φ50mm	G1F - G1/8 female thread G2F - G1/4 female thread

Selection

Model	Dia.of suction cup	Connection thread	
		G1F	G2F
SLG	20	●	-
	30	●	-
	40	-	●
	50	-	●

◇ Note: H (high temp. resistance type) cannot select magnetic switch

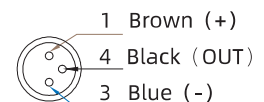
Technical parameters

Model	Air supply pressure range bar	Working temperature °C	Contact temperature °C	Max. holding force N	Lateral force		Weight g
					Non oily N	Oily N	
SLG20	3.5~6.0	5~70	≤70	17	8	8	90
SLG30	3.5~6.0	5~70	≤70	85	32	23	223
SLG40	3.5~6.0	5~70	≤70	220	81	56	427
SLG50	3.5~6.0	5~70	≤70	380	105	65	795

Model	ZPDM-N	ZPDM-P
Wiring diagram		
Wiring	3 wires	
Switch	Electronic type contactless, NO type	
Output contact type	Contactless, NPN	Contactless, PNP
Voltage range	5~30V DC	
Max. switch current	80mA max.	



M8 male connection type

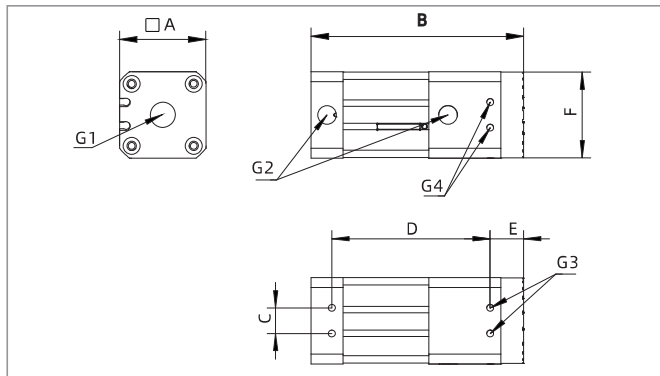


Model	Output mode	Connection type
ZPDM-N	1NPN	Outlet wire connection
ZPDM-P	1PNP	Outlet wire connection
ZPDM-N-M8	1NPN	M8 male connection
ZPDM-P-M8	1PNP	M8 male connection

SLG Series

Magnetic Gripper

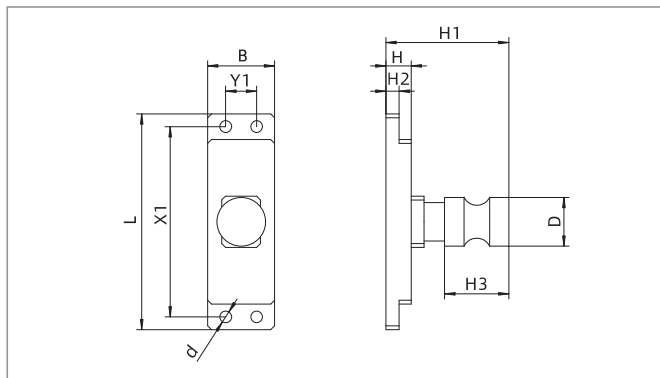
Dimensions(mm)



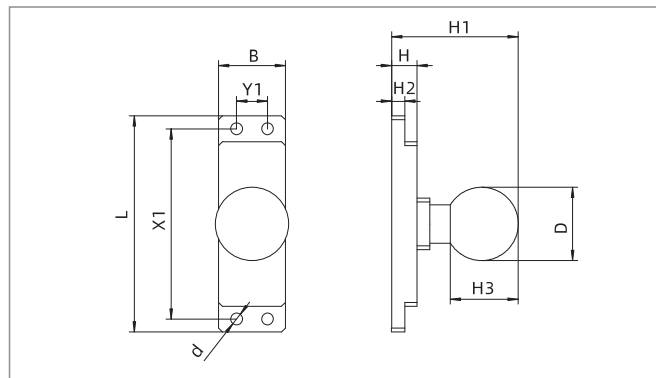
SLG Normal type

Model/Size	A	B	C	D	E	F	G1	G2	G3	G4
SLG20	20	78.2	6.5	55	13.2	20	G1/8	M5×0.8	M3×0.5	M3×0.5
SLG30	30	99.4	12	74	15.7	30	G1/8	G1/8	M4×0.7	M4×0.7
SLG40	40	99.4	12	74	15.7	40	G1/4	G1/8	M4×0.7	M4×0.7
SLG50	50	123.4	15	100	15.7	50	G1/4	G1/8	M5×0.8	M5×0.8

Mounting brackets(mm)



A-Columnar bracket



B-Spherical bracket

Model/Size	L	B	H1	D	H3	H2	H	X1	Y1	d
SLG20-A	63	15	50	19	25	5.2	9.9	55	6.5	3.4
SLG20-B	63	15	49.3	28.5	26.4	5.2	9.9	55	6.5	3.4
SLG30/40-A	84	26	50	19	25	5.2	9.9	74	12	4.6
SLG30/40-B	84	26	49.3	28.5	26.4	5.2	9.9	74	12	4.6
SLG50-A	110	30	50	19	25	5.2	9.9	100	15	5.5
SLG50-B	110	29	49.3	28.5	26.4	5.2	9.9	100	15	5.5