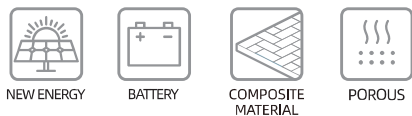


SLP Series

Flow Gripper



Features

- ◇ Large vacuum flow
- ◇ Integrated with vacuum generator, suction cup and silencer
- ◇ Vertical and horizontal mounting types
- ◇ Holes on the adsorbing surface, could avoid the deformation of workpiece

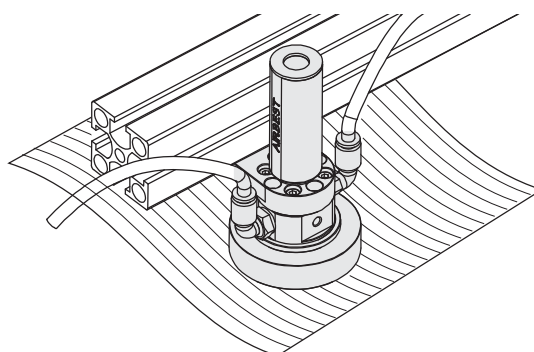
Advantages

- ◇ Flat suction cup to prevent deformation of the workpiece
- ◇ Large vacuum flow, suitable for handling porous workpieces
- ◇ Easy to install, different choice for different application
- ◇ Simple structure, integrated design, connect to compressed air directly, no need extra vacuum generator



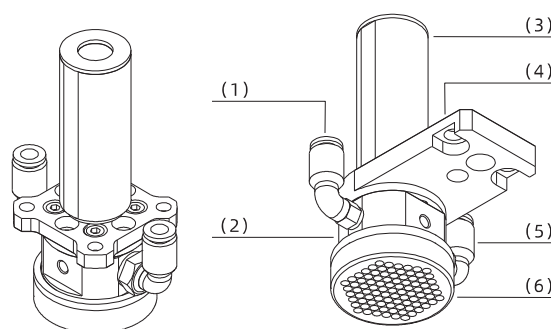
Application

- ◇ Suitable for handling thin and fragile workpieces, such as mobile phone screen, aluminum foil
- ◇ Suitable for handling porous workpieces, such as printed PCB, PVC board
- ◇ Suitable for textile industry, such as fiber sheet



Structure

- ◇ (1) Release/Vacuum detecting port
- ◇ (2) Vacuum generator
- ◇ (3) Silencer
- ◇ (4) Mounting flange
- ◇ (5) Air supply port
- ◇ (6) Adsorbing surface



SLP Series

Flow Gripper

How to order

SLP 40 - M10 S D - F1

① ② ③ ④ ⑤ ⑥

① Series	② Dia. of suction cup	③ Specification of vacuum generator	④ Exhaust direction	⑤ Release function	⑥ Mounting flange
SLP	40 - ϕ 40 60 - ϕ 60	M10 - Diameter ϕ 10mm M20 - Diameter ϕ 20mm	S - Vertical + silencer	D - With release port	F1 - Vertical, 55x6mm F2 - Vertical, 84x9mm F3 - Horizontal, 71x9mm F4 - Horizontal, 95x9mm

Selection

Model/ Diameter of suction cup 40	60
SLP40-M10SD-F1	SLP60-M10SD-F1
SLP40-M10SD-F3	SLP60-M10SD-F3
-	SLP60-M20SD-F2
-	SLP60-M20SD-F4

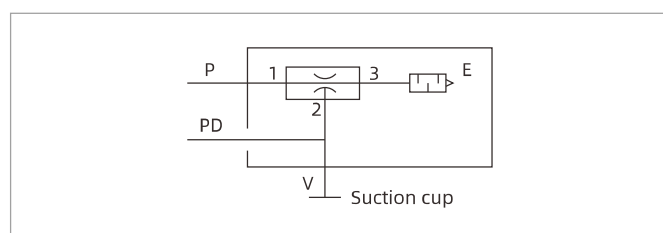
Technical parameters

Model	Air supply pressure range bar	Rated air supply pressure bar	Max. vacuum level -kPa	Max. vacuum flow NL/min	Air consumption NL/min	Working temperature °C
SLP40-M10	1.0~7.0	5.0	11	320~450	145	0~60
SLP60-M10	1.0~7.0	5.0	11	330~550	145	0~60
SLP60-M20	1.0~7.0	5.0	4.5	970~1,195	260	0~60

Vacuum flow(NL/min) at different vacuum levels (-kPa)

Model	Air supply pressure bar	Air consumption NL/min	0	1.5	2.5	3.5	4.5	5.5	6.5	7.5	11	Max. vacuum level -kPa
SLP40-M10	5.0	145	450	430	410	420	350	300	250	170	100	11
SLP60-M10	5.0	145	550	530	470	420	350	300	250	170	100	11
SLP60-M20	5.0	260	1,195	1,120	1,050	980	880	-	-	-	-	4.5

Air circuit schematic diagram



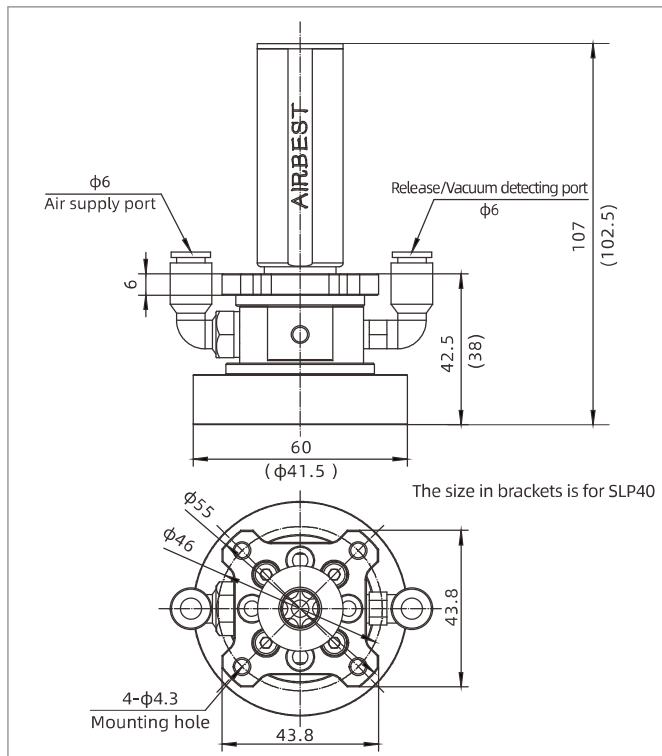
SLP

SLP Series

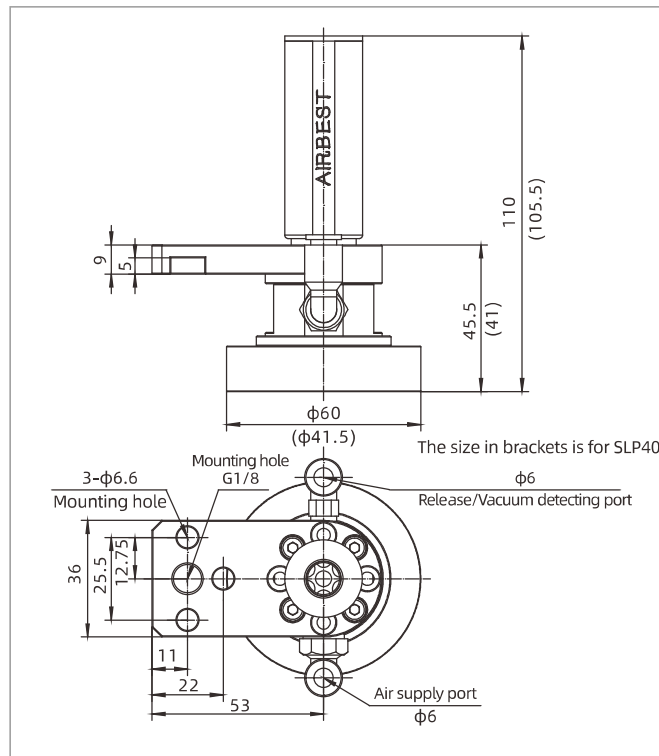
Flow Gripper



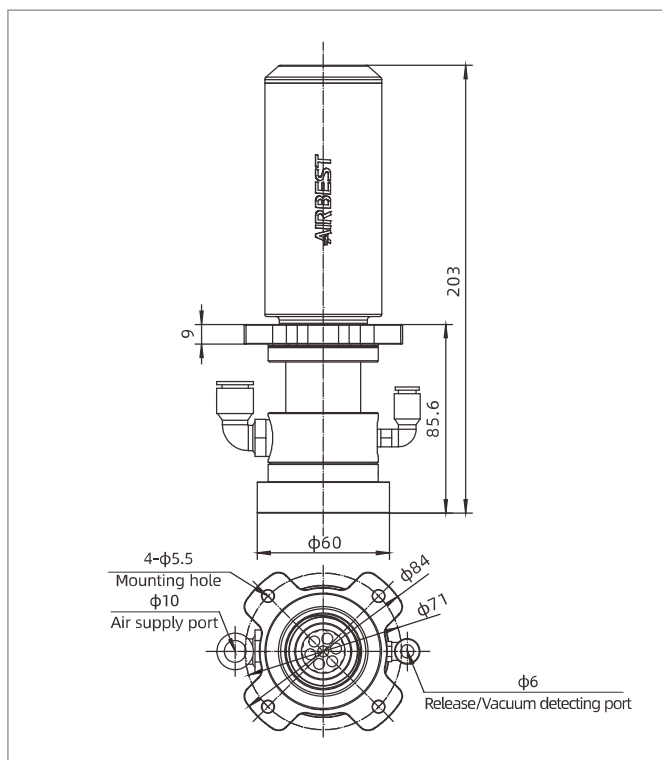
Dimensions(mm)



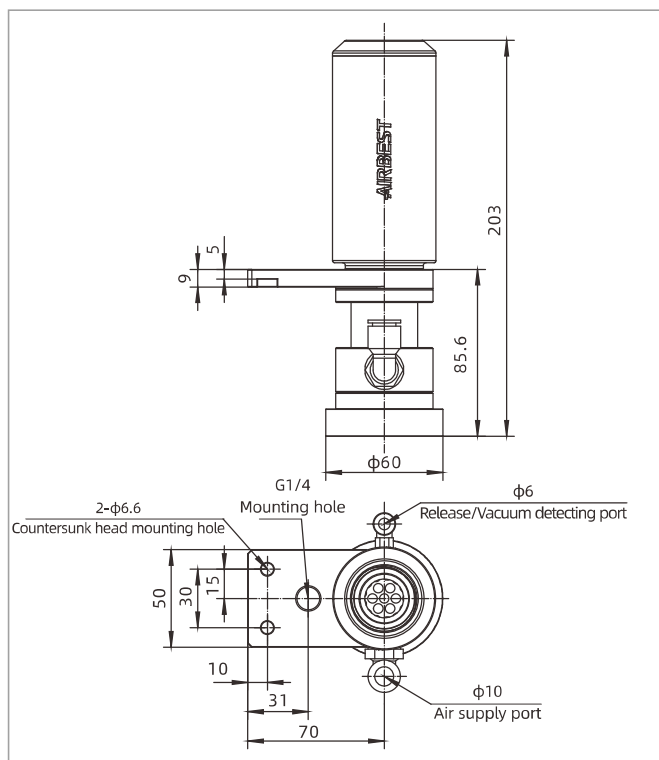
SLP60(40)-M10SD-F1



SLP60(40)-M10SD-F3



SPL60-M20SD-F2



SPL60-M20SD-F4

SLG

SNC

SNT

SLP

SLB

SLW

SLF