

# SNP Series

## Rectangular Foam Rubber Suction Cup



STONE



ROUGH SURFACE

### Features

- ◇ Annular foam rubber
- ◇ Metal support plate
- ◇ NF(black) for Neoprene foam rubber, OF(orange) for Geranium foam rubber
- ◇ Available in various sizes

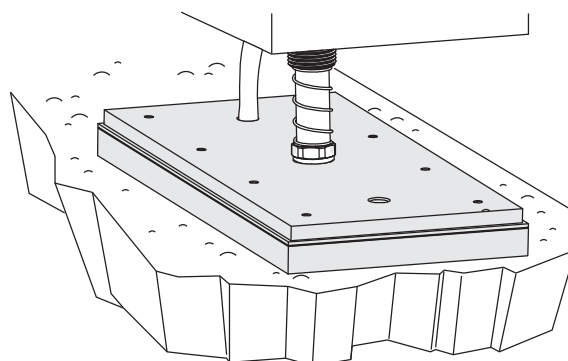
### Advantages

- ◇ Long lifetime, good sealing and large suction force
- ◇ Large area support plate with light weight and high load
- ◇ NF and OF material optional for different working conditions
- ◇ Suitable for workpieces of various sizes and shapes



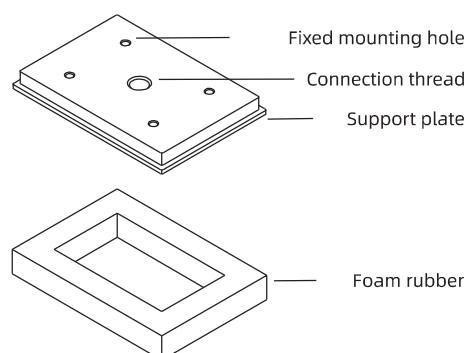
### Applications

- ◇ Handling of workpieces with very rough or uneven surface such as buckle plate, embossed plate, marble, tile, cement board and grid metal plate
- ◇ NF for workpieces with rough surface and outdoor use. Good weather and ozone resistance, but poor in yield elasticity and storage stability, not suitable for food industry
- ◇ OF for workpieces with very rough surface. Good yield elasticity, wear resistance, tear resistance, high cut resistance and good ductility, but poor in oil resistance, heat resistance and aging resistance, not suitable for food industry
- ◇ Pay attention to the use of water and oil environment
- ◇ It is recommended to use large flow vacuum generator
- ◇ For the use of the sponge suction cup, please refer to General Precautions on Page 24



### Structure

- ◇ Consisting of metal support plate and foam rubber. Foam rubber is with gum, which can stick to the support plate directly. Foam rubber is consumable, which can be ordered separately for replacement



# SNP Series



## Rectangular Foam Rubber Suction Cup

Suction Cup

### How to order

## SNP 50×135 NF - G2F

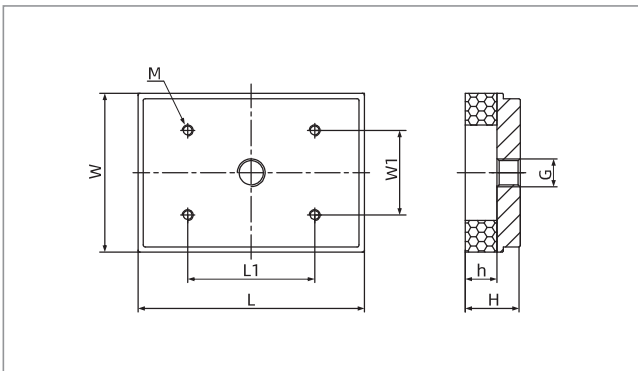
①                      ②                      ③                      ④

① Series	② Size	③ Material	④ Connection thread
SNP	50×135	NF - Neoprene foam rubber <span style="display: inline-block; width: 10px; height: 10px; background-color: black; vertical-align: middle;"></span>	Nil - Foam rubber only
	60×135	OF - Geranium foam rubber <span style="display: inline-block; width: 10px; height: 10px; background-color: orange; vertical-align: middle;"></span>	G2F - G1/4 female thread
	75×107		G3F - G3/8 female thread
	68×290		G4F - G1/2 female thread
	140×290		

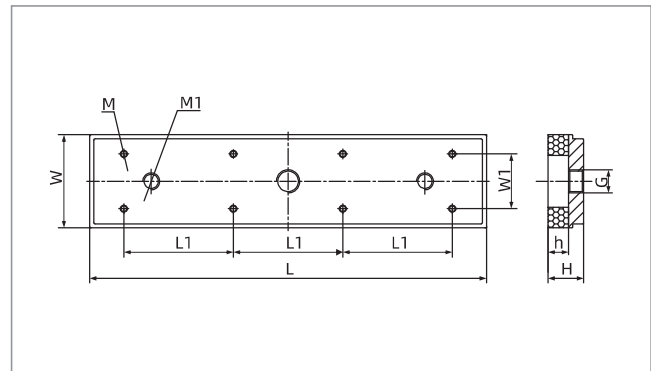
### Selection

Model	Connection thread			MPQ pcs
	G2F	G3F	G4F	
SNP50×135□	SNP50×135□-G2F	-	-	1
SNP60×135□	SNP60×135□-G2F	-	-	1
SNP75×107□	SNP75×107□-G2F	-	-	1
SNP68×290□	-	SNP68×290□-G3F	-	1
SNP140×290□	-	-	SNP140×290□-G4F	1

### Dimensions(mm)



SNP50×135    SNP60×135    SNP75×107



SNP68×290    SNP140×290

Model/Size	L	W	L1	W1	G	H	h	M	M1	Weight g	Pull-out force N
SNP50×135□-G2F	135	50	80	30	G1/4	26	15	4-M5×0.8depth7	-	202	60
SNP60×135□-G2F	135	60	80	40	G1/4	26	15	4-M5×0.8depth7	-	246	80
SNP75×107□-G2F	107	75	60	40	G1/4	26	15	4-M5×0.8depth7	-	234	90
SNP68×290□-G3F	290	68	80	40	G3/8	26	15	8-M5×0.8depth7	2-M12×1.75	587	250
SNP140×290□-G4F	290	140	80	100	G1/2	26	15	8-M5×0.8depth7	2-M12×1.75	1,235	720

◇ Note: 1. Testing vacuum level -60kPa, workpiece with smooth and clean surface. The data of pull-out force as above are figured out without considering safety factor. The data may be different according to different workpiece surfaces. Recommend the length of vacuum hose to be as short as possible, max 2m.  
2. The dimensional tolerance conforms to GBT 3672.1-2002-1 M3 rubber product dimensional tolerance standard

SZ  
SP3  
SUF  
SAN  
SAO  
SOFA  
STP  
SFT  
SFA  
SBT  
SBL  
SBLP  
SBS  
SFP  
SBP  
SXP  
SGP  
SBOF  
STC  
SFF  
SOB  
SOF  
SOG  
SFM  
SOM  
SBF  
SDM  
SFU  
SFK  
SHT  
SDL  
SFG  
SFGT  
SFD  
SB  
SBA  
SF  
SU  
SPA  
SPD  
SPF  
SPC  
SPJ  
SPU  
SH  
SHB  
SBB  
SOP  
SNP