

SOM Series



Oval Flat Suction Cup Special for Long and Narrow Objects



Features

- ◇ Large stroke and good flexibility
- ◇ PU material
- ◇ Internal large area pattern support structure
- ◇ Non-rotating structure
- ◇ Various sizes are available

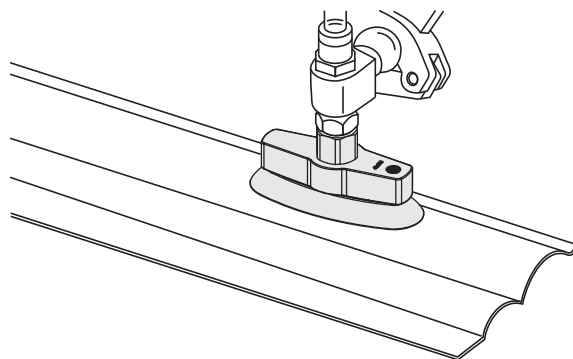
Advantages

- ◇ Easy to fit the workpieces with different shapes of surfaces
- ◇ Long lifetime, excellent wear resistance, ozone resistance, oil resistance
- ◇ Effectively increase friction force between suction cups and workpieces
- ◇ The parts can be recycled
- ◇ The direction of suction cup can be accurately positioned according to workpiece shape
- ◇ Suitable for workpieces with different sizes and shapes



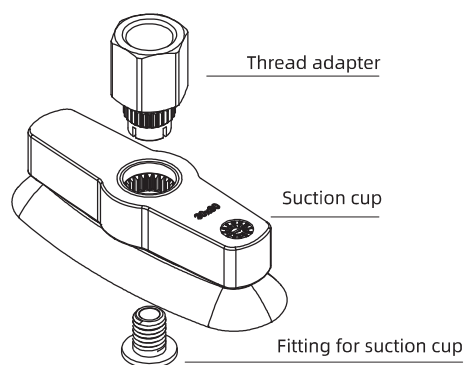
Applications

- ◇ Handling of oval workpiece with curved surface
- ◇ Handling long and narrow or cylindrical workpieces



Structure

- ◇ Split structure design, wearing parts can be replaced separately



SOM Series



Oval Flat Suction Cup Special for Long and Narrow Objects

How to order

SOM 30×80 U - G2F

① ② ③ ④

① Series	② Size	③ Material & Hardness	④ Connection thread
SOM	20×60	U - PU 70	Nil - Suction cup only
	30×80		G2F - G1/4 female thread
	40×100		G3F - G3/8 female thread
			G2M - G1/4 male thread
		M10M - M10×1.5 male thread	
		M14M - M14×1.5 male thread	
		RA - Rectangular adapter	

Selection

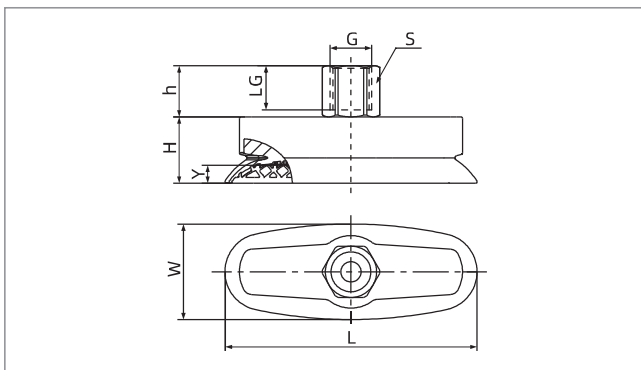
Model	Connection thread					
	G2M	M10M	M14M	G2F	G3F	RA
SOM20×60U	SOM20×60U-G2M	SOM20×60U-M10M	SOM20×60U-M14M	SOM20×60U-G2F	-	SOM20×60U-RA
SOM30×80U	SOM30×80U-G2M	SOM30×80U-M10M	SOM30×80U-M14M	SOM30×80U-G2F	-	SOM30×80U-RA
SOM40×100U	SOM40×100U-G2M	SOM40×100U-M10M	SOM40×100U-M14M	-	SOM40×100U-G3F	SOM40×100U-RA

Technical parameters

Model	Vertical pull-out force N	Lateral pull-out force N	Lateral pull-out force (Oily surface)N	Inner volume cm ³	Min curve radius of workpiece mm	Weight g	Recommended hose dia. mm	MPQ pcs
SOM20×60U	61	44	44	5	10	14	8	1
SOM30×80U	116	110	110	12	20	24.4	8	1
SOM40×100U	187	135	135	25	32	50.6	8	1

◇ Note: Testing vacuum level -60kPa, workpiece with smooth and clean surface. The data of pull-out force as above are figured out without considering safety factor. The data may be different according to different workpiece surfaces.

Dimensions(mm)



Model/Size	L	W	H	G	h	LG	S	Y
SOM20×60U-G2F	63.5	20.5	22	G1/4	17	12	17	5
SOM30×80U-G2F	83.5	31.5	22	G1/4	17	12	17	6
SOM40×100U-G3F	103.5	43.5	29	G3/8	17	12	22	7

F - Female thread connection

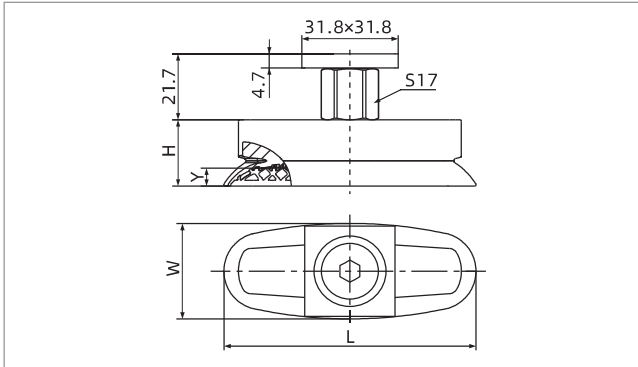
- SZ
- SP3
- SUF
- SAN
- SAO
- SOFA
- STP
- SFT
- SFA
- SBT
- SBL
- SBLP
- SBS
- SFP
- SBP
- SXP
- SGP
- SBOF
- STC
- SFF
- SOB
- SOE
- SOG
- SFM
- SOM
- SBF
- SDM
- SFU
- SFK
- SHT
- SDL
- SFG
- SFGT
- SFD
- SB
- SBA
- SF
- SU
- SPA
- SPD
- SPF
- SPC
- SPJ
- SPU
- SH
- SHB
- SBB
- SOP
- SNP

SOM Series

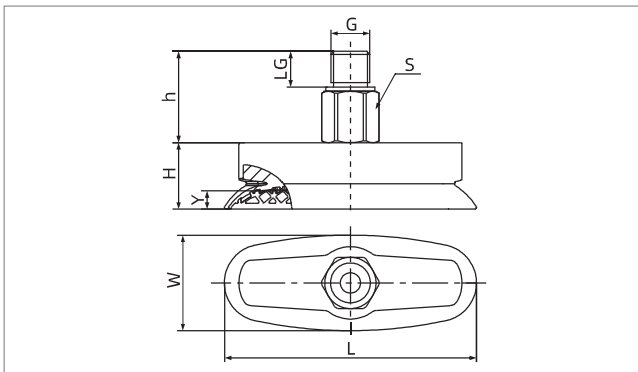


Oval Flat Suction Cup Special for Long and Narrow Objects

Dimensions(mm)



RA - Rectangular adapter



M - Male thread connection

◇ Note: The dimensional tolerance conforms to GBT3672.1-2002-1 M3 rubber product dimensional tolerance standard

Model/Size	L	W	H	Y
SOM20×60U-RA	63.5	20.5	22	5
SOM30×80U-RA	83.5	31.5	22	6
SOM40×100U-RA	103.5	43.5	29	7

Model/Size	L	W	H	G	h	LG	S	Y
SOM20×60U-G2M	63.5	20.5	22	G1/4	28	9	17	5
SOM20×60U-M10M	63.5	20.5	22	M10×1.5	30.5	11	17	5
SOM20×60U-M14M	63.5	20.5	22	M14×1.5	30.5	11	17	5
SOM30×80U-G2M	83.5	31.5	22	G1/4	28	9	17	6
SOM30×80U-M10M	83.5	31.5	22	M10×1.5	30.5	11	17	6
SOM30×80U-M14M	83.5	31.5	22	M14×1.5	30.5	11	17	6
SOM40×100U-G2M	103.5	43.5	29	G1/4	28	9	17	7
SOM40×100U-M10M	103.5	43.5	29	M10×1.5	30.5	11	17	7
SOM40×100U-M14M	103.5	43.5	29	M14×1.5	30.5	11	17	7