

# SPD Series

## Thin Lip Flat Suction Cup

AIRBEST



RoHS

### Features

- ◇ Thin lip

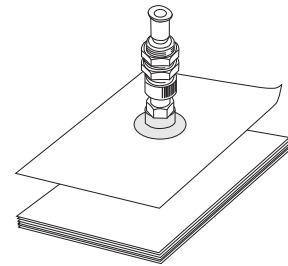
### Advantages

- ◇ Fits thin film workpieces closely



### Applications

- ◇ Most suitable for the handling of copy paper, PVC and other film materials



### How to order

SPD 15 N - M5M

① ② ③ ④

① Series	② Diameter	③ Material & Hardness	④ Connection thread
SPD	10 - $\phi$ 10mm 15 - $\phi$ 15mm	N - NBR WS - White silicone	Nil - Suction cup only M5M - M5x0.8 male thread

### Selection

Model	M5M
SPD10	SPD10□-M5M
SPD15	SPD15□-M5M

### Technical parameters

Model	Pull-out force (N)	Inner volume cm <sup>3</sup>	Weight g	Recommended hose Dia. mm	MPQ pcs
SPD10	3.5	< 0.1	0.2	4	10
SPD15	7.5	< 0.1	0.3	4	10

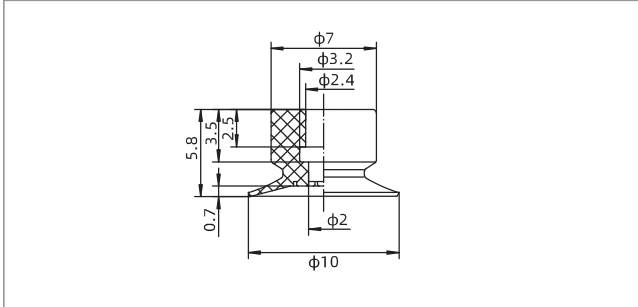
- ◇ Note: Testing vacuum level -60kPa, workpiece with smooth and clean surface. The data of pull-out force as above are figured out without considering safety factor. The data may be different according to different working condition

# SPD Series

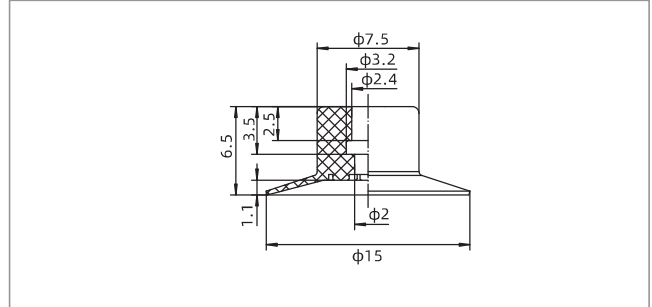
## Thin Lip Flat Suction Cup



### Dimensions (mm) - Suction cup only

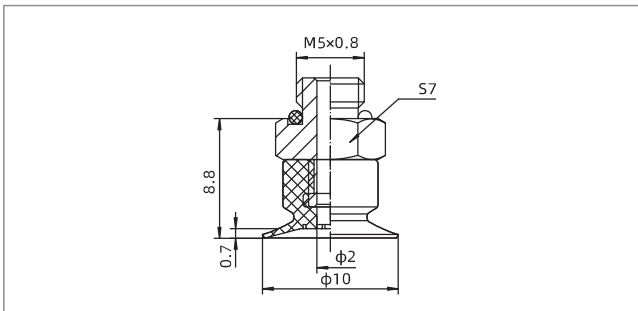


SPD10

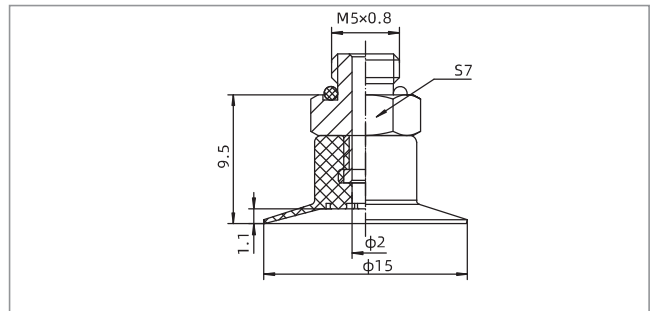


SPD15

### Dimensions (mm) - Male thread fitting



SPD10-M5M



SPD15-M5M

◇ Note: The dimensional tolerance conforms to GBT3672.1-2002-1 M3 rubber product dimensional tolerance standard

- SZ
- SP3
- SUF
- SAN
- SAO
- SOFA
- STP
- SFT
- SFA
- SBT
- SBL
- SBLP
- SBS
- SFP
- SBP
- SXP
- SGP
- SBOF
- STC
- SFF
- SOB
- SOF
- SOG
- SFM
- SOM
- SBF
- SDM
- SFU
- SFK
- SHT
- SDL
- SFG
- SFGT
- SFD
- SB
- SBA
- SF
- SU
- SPA
- SPD**
- SPF
- SPC
- SPJ
- SPU
- SH
- SHB
- SBB
- SOP
- SNP