

SPH Series

Conductive/Mark-free Suction Cup



ELECTRONICS

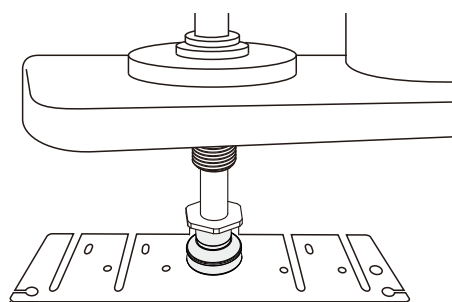
Features

- ◇ Made of conductive material, with a surface resistance range of 10E6~10E9Ω.cm
- ◇ The raw material is stable, does not contain carbon powder, and will not release colored substances during use
- ◇ The installation accessories are made of stainless steel.
- ◇ The dimensions and shapes are available in various specifications.
- ◇ Various dimensions and shapes



Applications

- ◇ It can be used in conditions requiring electrostatic protection, such as electronic products
- ◇ It can be applied in conditions requiring mark-free gripping, such as glass and panels
- ◇ It can be used in lithium battery, semiconductor and other industries
- ◇ Can meet a variety of different sizes and shapes of the workpiece



How to order

SPH C 10 CH - M5M
 ① ② ③ ④ ⑤

Series	Suction cup type	Diameter		Material & Hardness	⑤ Connection thread
SPH	U - Flat	4 - φ4mm	10 - φ10mm	CH - Conductive/ Mark-free rubber	Nil - Suction cup only M5M - M5×0.8 male thread
	C - Flat with ribs	5 - φ5mm	13 - φ13mm		
	B - 1.5 Bellows	6 - φ6mm	15 - φ15mm		
	MT - Thin lip flat suction cup	8 - φ8mm	16 - φ16mm		

◇ Note: The surface resistivity is 10E6~10E9Ω.cm

Selection

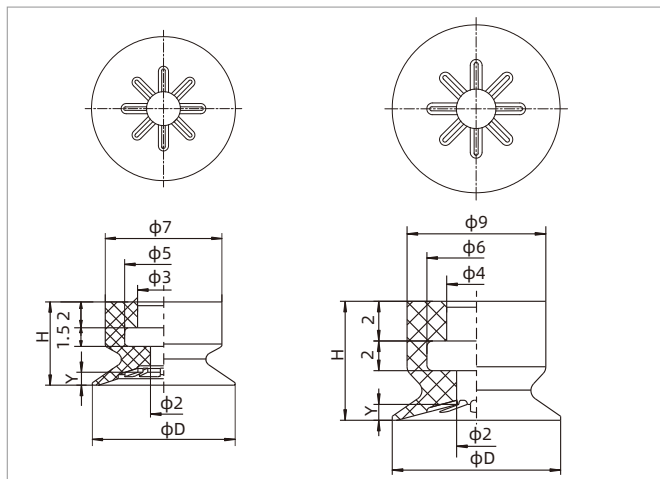
Diameter of suction cup	Suction cup type				Connection thread M5M	MPQ pcs
	C	B	U	MT		
φ4	●	●	-	-	●	10
φ5	-	-	●	-	●	10
φ6	●	●	●	-	●	10
φ8	●	●	-	-	●	10
φ10	●	●	-	●	●	10
φ13	●	●	-	-	●	10
φ15	-	-	-	●	●	10
φ16	●	●	-	-	●	10

◇ Note: "●" default, in stock, "-" unavailable

SPH Series

Conductive/Mark-free Suction Cup

Dimensions(mm) - C type

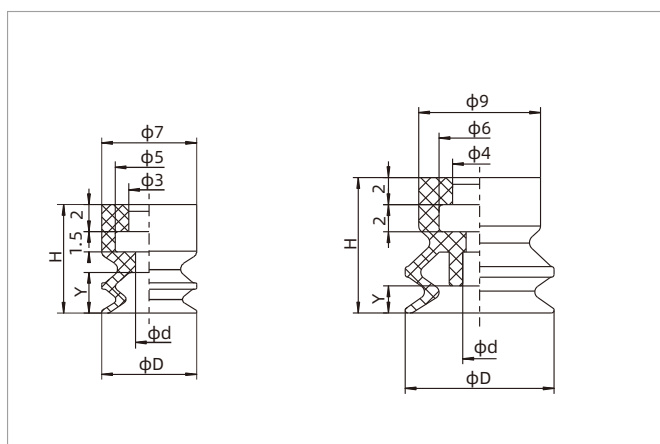


SPHC4-8

SPHC10-16

Model/Size	D	H	Y	Weight g
SPHC4	4.5	6.0	0.5	0.3
SPHC6	6.5	6.0	0.8	0.3
SPHC8	8.5	6.0	0.8	0.3
SPHC10	11.0	7.0	1.0	0.6
SPHC13	14.0	7.0	1.2	0.7
SPHC16	17.0	7.0	1.2	0.8

Dimensions(mm) - B type

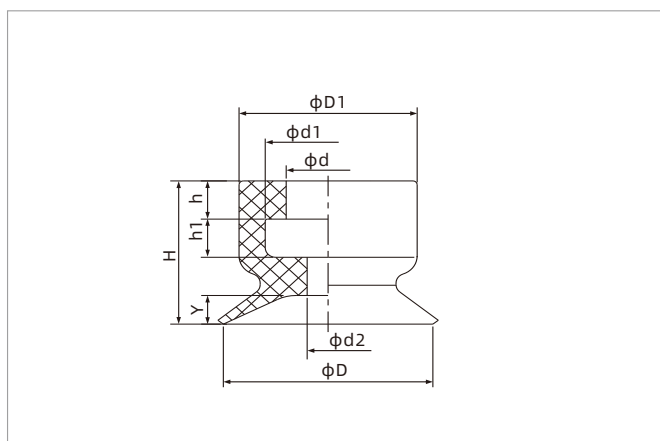


SPHB4-8

SPHB10-16

Model/Size	D	H	d	Y	Weight g
SPHB4	4.5	8.0	1.8	2.2	0.3
SPHB6	7.0	8.0	2.0	3.0	0.3
SPHB8	9.0	8.0	2.0	3.0	0.4
SPHB10	11.0	10.0	2.0	2.0	0.8
SPHB13	14.0	10.0	3.0	2.0	1.0
SPHB16	17.0	10.0	3.0	2.0	1.1

Dimensions(mm) - U type



SPHU5-6

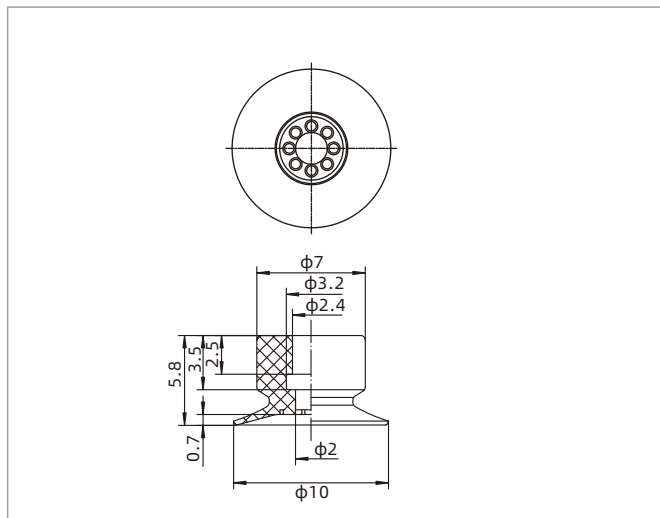
Model/Size	D	H	D1	d	h	d1	h1	d2	Y
SPHU5	5	6.5	7.5	4	2	6	2	1.4	0.8
SPHU6	6	6.5	7.5	4	2	6	2	2	0.8

SPH Series

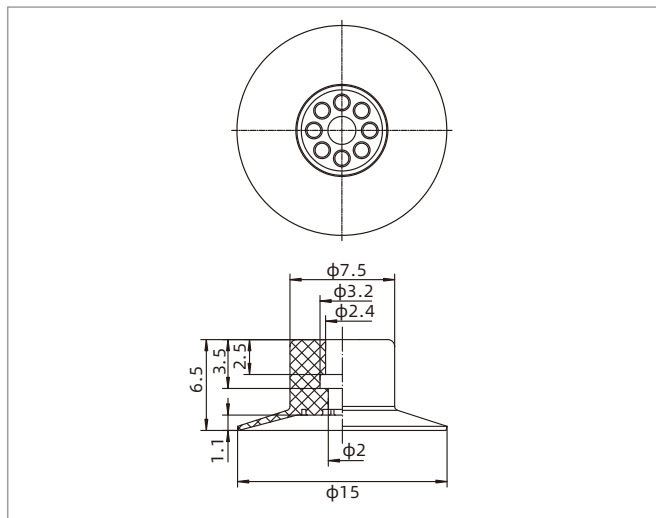
Conductive/Mark-free Suction Cup



Dimensions(mm) - MT type

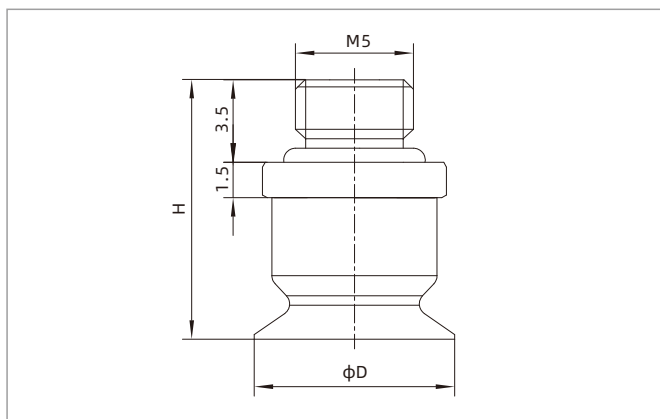


SPHMT10



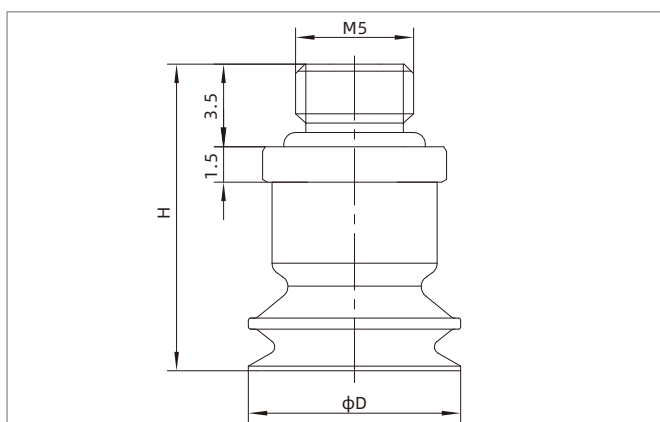
SPHMT15

Dimensions(mm) - Suction Cup with Locking Fitting



SPHC□CH-M5M

Model/Size	D	H	Weight g
SPHC4CH-M5M	4.5	11.0	1.7
SPHC6CH-M5M	6.5	11.0	1.7
SPHC8CH-M5M	8.5	11.0	1.7
SPHC10CH-M5M	11.0	12.0	3.0
SPHC13CH-M5M	14.0	12.0	3.1
SPHC16CH-M5M	17.0	12.0	3.2



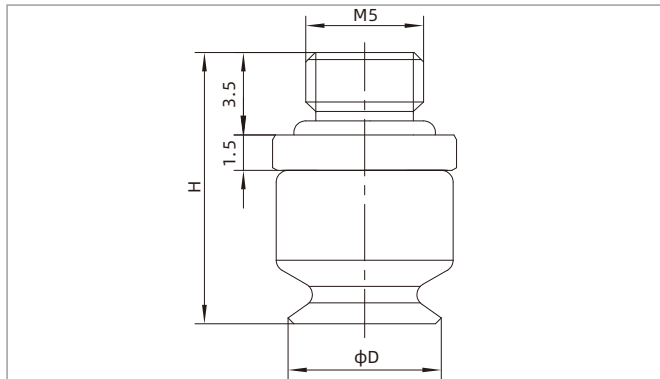
SPHB□CH-M5M

Model/Size	D	H	Weight g
SPHB4CH-M5M	4.5	13.0	0.3
SPHB6CH-M5M	7.0	13.0	0.3
SPHB8CH-M5M	9.0	13.0	0.4
SPHB10CH-M5M	11.0	15.0	0.8
SPHB13CH-M5M	14.0	15.0	1.0
SPHB16CH-M5M	17.0	15.0	1.1

SPH Series

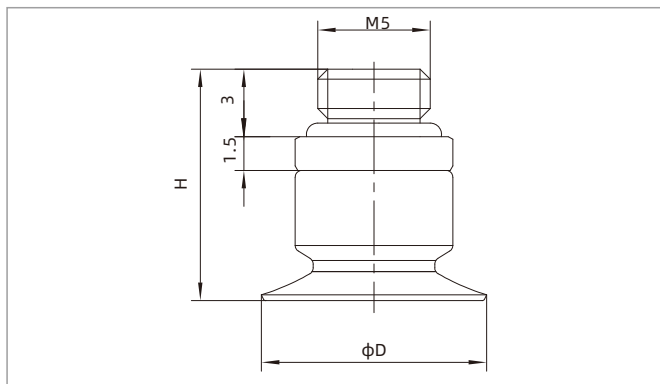
Conductive/Mark-free Suction Cup

Dimensions(mm) - Suction Cup with Locking Fitting



SPHU□CH-M5M

Model/Size	D	H	Weight g
SPHU5CH-M5M	5.0	11.5	0.2
SPHU6CH-M5M	6.0	11.5	0.2

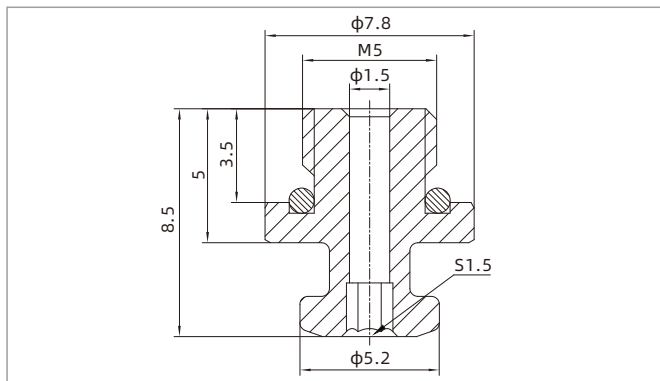


SPHMT□CH-M5M

Model/Size	D	H	Weight g
SPHMT10CH-M5M	10.0	10.3	0.2
SPHMT10CH-M5M	15.0	11.0	0.3

◇ Note: The dimensional tolerance conforms to the GB/T 3672.1-2002-1 M3 rubber product dimensional tolerance standard

Spare Parts Selection - Fitting



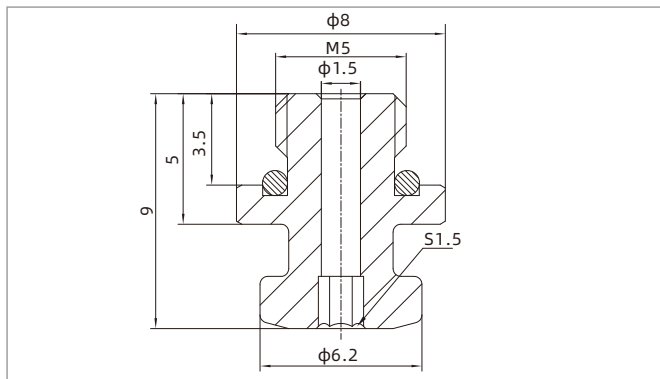
Model/Size	Applicable suction cup
PJS-M5M-ST1.5-SS	SPHB4、6、8 SPHC4、6、8

SPH Series

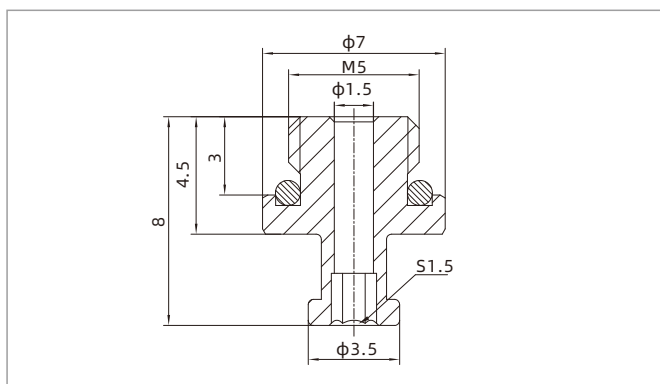
Conductive/Mark-free Suction Cup



Spare Parts Selection - Fitting

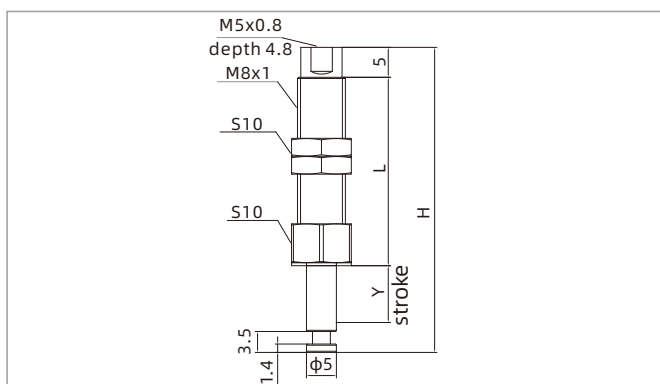


Model/Size	Applicable suction cup
PJS-M5M-ST2-SS	SPHB10、13、16
	SPHC10、13、16
	SPHU5、6



Model/Size	Applicable suction cup
PJS-M5M-SPD-SS	SPHMT10、15

Spare Parts Selection - Spare parts selection-Level compensator



Model/Size	H	L	Y	F1 N	F2 N
PSPS-I3D5-M8	32.5	21.5	3	0.7	0.9
PSPS-I10D5-M8	51	31.5	10	0.5	0.8

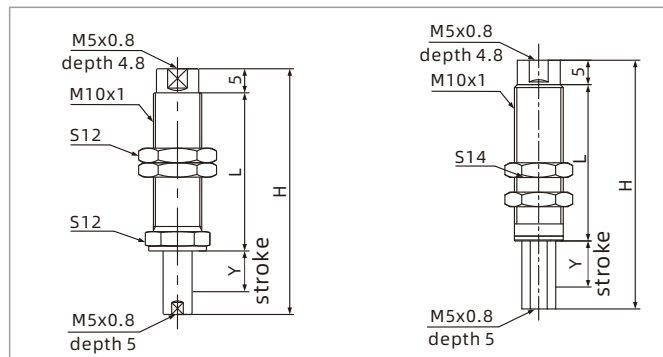
- ◇ Note: 1. "F1" means spring elastic force at 0 stroke, "F2" means spring elastic force at half stroke.
- 2. M8 nut locking torque 2.5~3.5N.m, please use in the specified torque range.

PSPS-I□D5-M8

SPH Series

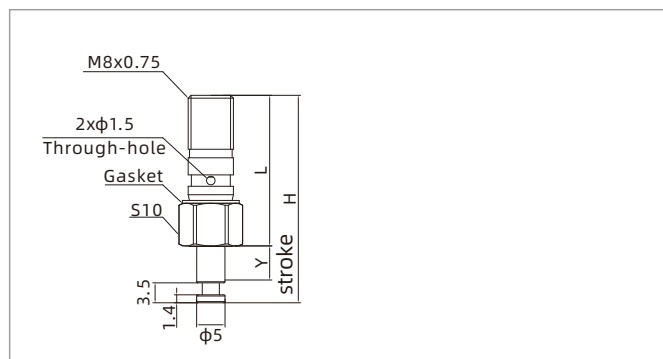
Conductive/Mark-free Suction Cup

Spare Parts Selection - Spare parts selection-Level compensator



PPSP-□M5F-M10

PPSP-□RM5F-M10



PPSP-I6D5-I8

Model/Size	H	L	Y	F1 N	F2 N
PPSP-I10M5F-M10	51	31.8	10	1.0	1.4
PPSP-I15M5F-M10	61	36.8	15	1.0	1.4
PPSP-I20M5F-M10	71	41.8	20	1.0	1.4
PPSP-I6RM5F-M10	51	32	10	0.9	1.2
PPSP-I10RM5F-M10	43	28	6	0.9	1.2

- ◇ Note: 1. "F1" means spring elastic force at 0 stroke, "F2" means spring elastic force at half stroke.
- 2. M10 nut locking torque 2.5~3.5N.m, please use in the specified torque range.

Model/Size	H	L	Y	F1 N	F2 N
PPSP-I6D5-I8	36.5	26.5	6	0.7	0.9

- ◇ Note: 1. "F1" means spring elastic force at 0 stroke, "F2" means spring elastic force at half stroke.
- 2. The inserted level compensator may cause 0~1kPa press drop due to different operating conditions and use environment.
- 3. Do not plug the hole at the top of the nut cover when using the inserted level compensator.

Level compensator model	Buffer type	Buffer stroke	Applicable suction cup
PPSP-I3D5-M8	Vertical rotating	3	SPHC4
PPSP-I10D5-M8	Vertical rotating	10	SPHC6
PPSP-I6D5-I8	Vertical rotating	6	SPHC8
PPSP-I10M5F-M10	Vertical rotating	10	SPHC4-M5M、SPHC6-M5M、SPHC8-M5M、SPHC10-M5M、
PPSP-I15M5F-M10	Vertical rotating	15	SPHC13-M5M、SPHC16-M5M、SPHB4-M5M、SPHB6-M5M、
PPSP-I20M5F-M10	Vertical rotating	20	SPHB8-M5M、SPHB10-M5M、SPHB13-M5M、SPHB16-M5M、
PPSP-I6RM5F-M10	Vertical non-rotating	6	SPHU5-M5M、SPHU6-M5MSPHMT10-M5M、SPHMT15-M5M
PPSP-I10RM5F-M10	Vertical non-rotating	10	