

STC Series

AIRBEST

1.5 Bellows Suction Cup Special for Metal Sheet



METAL SHEET



SLIPPING RESISTANCE



OILY SURFACE

RoHS

Features

- ◇ 1.5 Bellows structure
- ◇ Internal large area pattern support structure
- ◇ Various sizes and specifications are available

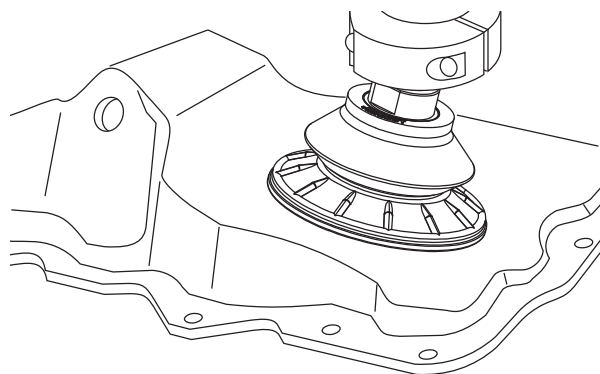
Advantages

- ◇ Easy to fit the uneven surface of workpiece, and has buffer effect
- ◇ Effectively enhance friction force between suction cups and workpieces
- ◇ Suitable for workpieces with different sizes and shapes



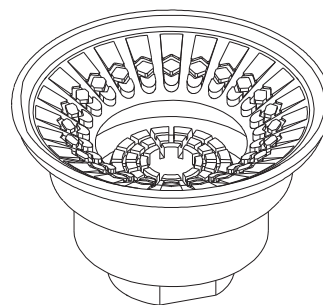
Applications

- ◇ Suitable for fast handling of metal plates, short cycle time
- ◇ Handling metal sheet and aluminum plates without deformation
- ◇ The internal special pattern groove design prevents the oily sheet metal from slipping during handling
- ◇ Used in automotive stamping metal parts handling system



Structure

- ◇ 1.5 Bellows structure, large compressed stroke
- ◇ Suction cup and fitting are one-piece structure design



STC Series

1.5 Bellows Suction Cup Special for Metal Sheet

How to order

STC 50 N - G3F

① ② ③ ④

① Series	② Diameter	③ Material & Hardness	④ Connection thread
STC	22 - ϕ 22mm	N - NBR 60	G2F - G1/4 female thread
	30 - ϕ 30mm		G3F - G3/8 female thread
	40 - ϕ 40mm		G2M - G1/4 male thread
	50 - ϕ 50mm		M10M - M10×1.5 male thread
	60 - ϕ 60mm		M14M - M14×1.5 male thread
	80 - ϕ 80mm		RA - Rectangular adapter
	100 - ϕ 100mm		
	125 - ϕ 125mm		

Selection

Model	Connection thread					
	G2M	M10M	M14M	G2F	G3F	RA
STC22N-□	STC22N-G2M	STC22N-M10M	STC22N-M14M	STC22N-G2F	STC22N-G3F	STC22N-RA
STC30N-□	STC30N-G2M	STC30N-M10M	STC30N-M14M	STC30N-G2F	STC30N-G3F	STC30N-RA
STC40N-□	STC40N-G2M	STC40N-M10M	STC40N-M14M	STC40N-G2F	STC40N-G3F	STC40N-RA
STC50N-□	STC50N-G2M	STC50N-M10M	STC50N-M14M	STC50N-G2F	STC50N-G3F	STC50N-RA
STC60N-□	STC60N-G2M	STC60N-M10M	STC60N-M14M	STC60N-G2F	STC60N-G3F	STC60N-RA
STC80N-□	STC80N-G2M	STC80N-M10M	STC80N-M14M	STC80N-G2F	STC80N-G3F	STC80N-RA
STC100N-□	STC100N-G2M	STC100N-M10M	STC100N-M14M	STC100N-G2F	STC100N-G3F	STC100N-RA
STC125N-□	STC125N-G2M	STC125N-M10M	STC125N-M14M	STC125N-G2F	STC125N-G3F	STC125N-RA

Technical parameters

Model	Vertical pull-out force N	Lateral pull-out force N	Lateral pull-out force Oily surface (N)	Inner volume cm ³	Min.curve radius of workpiece mm	Weight g	Recommended hose dia. mm	MPQ pcs
STC22	23	20	6.5	1.5	20	8.6	6	5
STC30	35	28	12	6.3	35	12	6	5
STC40	62	37	34	7.2	40	13.5	6	1
STC50	85	58	55	11.2	45	21	8	1
STC60	141	88	83	22.5	52	29	8	1
STC80	236	141	136	57	70.5	51	8	1
STC100	371	228	221	92	95	77	8	1
STC125	558	352	335	191	140	165	10	1

◇ Note: Testing vacuum level -60kPa, workpiece with smooth and clean surface. The data of pull-out force as above are figured out without considering safety factor. The data may be different according to different workpiece surfaces

SZ

SP3

SUF

SAN

SAO

SOFA

STP

SFT

SFA

SBT

SBL

SBLP

SBS

SFP

SBP

SXP

SGP

SBOF

STC

SFF

SOB

SOE

SOG

SFM

SOM

SBF

SDM

SFU

SFK

SHT

SDL

SFG

SFGT

SFD

SB

SBA

SF

SU

SPA

SPD

SPF

SPC

SPJ

SPU

SH

SHB

SBB

SOP

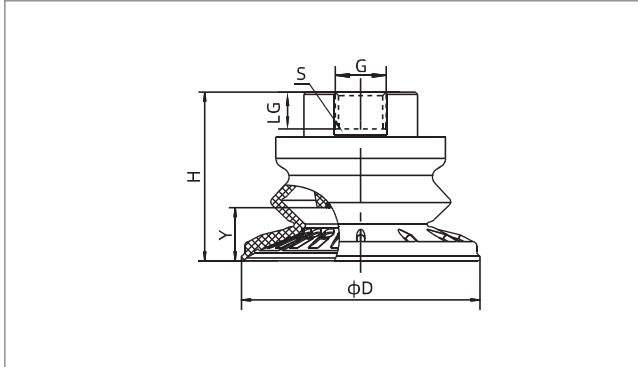
SNP

STC Series



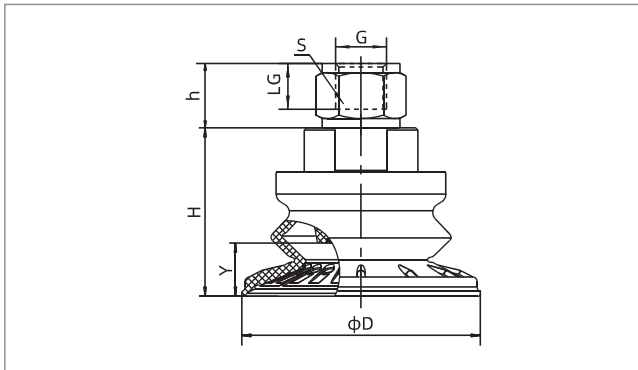
1.5 Bellows Suction Cup Special for Metal Sheet

Dimensions(mm)



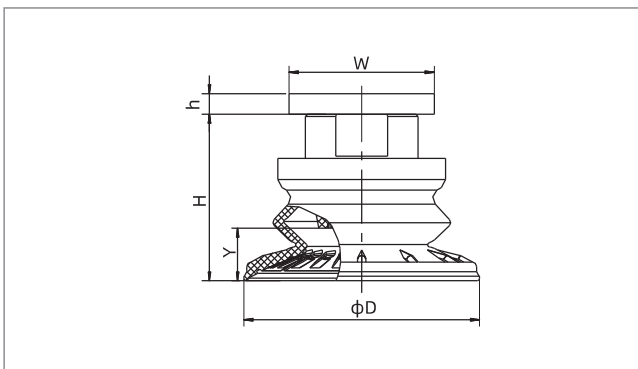
F - Female thread

Model/Size	D	H	G	LG	S	Y
STC22N-G2F	22	25	G1/4	11	17	5.5
STC30N-G2F	32	28	G1/4	11	17	9.5
STC40N-G2F	42	28.5	G1/4	11	17	10
STC50N-G3F	52	36.2	G3/8	13	22	11.5
STC60N-G3F	62.5	41	G3/8	13	22	14.5
STC80N-G3F	82	49.5	G3/8	13	22	22.5
STC100N-G3F	103	55	G3/8	13	22	25
STC125N-G3F	128	68	G3/8	13	22	32



F - Female thread

Model/Size	D	H	G	h	LG	S	Y
STC22N-G3F	22	25	G3/8	14	11	22	5.5
STC30N-G3F	32	28	G3/8	14	11	22	9.5
STC40N-G3F	42	28.5	G3/8	14	11	22	10
STC50N-G2F	52	36.2	G1/4	14	11	22	11.5
STC60N-G2F	62.5	41	G1/4	14	11	22	14.5
STC80N-G2F	82	49.5	G1/4	14	11	22	22.5
STC100N-G2F	103	55	G1/4	14	11	22	25
STC125N-G2F	128	68	G1/4	14	11	22	32



RA - Rectangular adapter

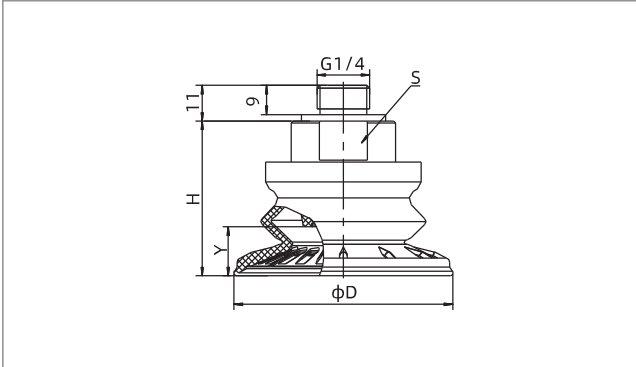
Model/Size	D	H	W	h	Y
STC22N-RA	22	25	31.8×31.8	4.7	5.5
STC30N-RA	32	28	31.8×31.8	4.7	9.5
STC40N-RA	42	28.5	31.8×31.8	4.7	10
STC50N-RA	52	36.2	31.8×31.8	4.7	11.5
STC60N-RA	62.5	41	31.8×31.8	4.7	14.5
STC80N-RA	82	49.5	31.8×31.8	4.7	22.5
STC100N-RA	103	55	31.8×31.8	4.7	25
STC125N-RA	128	68	31.8×31.8	4.7	32

STC Series

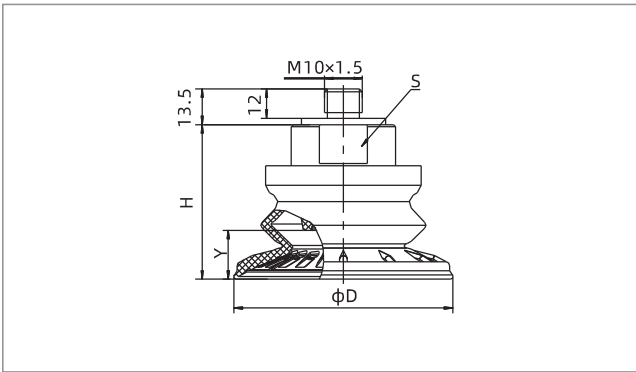
1.5 Bellows Suction Cup Special for Metal Sheet



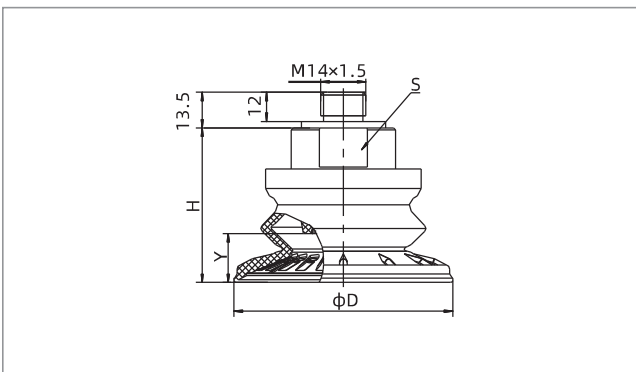
Dimensions(mm)



M - Male thread



M - Male thread



M - Male thread

◇ Note: The dimensional tolerance conforms to GBT3672.1-2002-1 M3 rubber product dimensional tolerance standard

Model/Size	D	H	S	Y
STC22N-G2M	22	25	17	5.5
STC30N-G2M	32	28	17	9.5
STC40N-G2M	42	28.5	17	10
STC50N-G2M	52	36.2	22	11.5
STC60N-G2M	62.5	41	22	14.5
STC80N-G2M	82	49.5	22	22.5
STC100N-G2M	103	55	22	25
STC125N-G2M	128	68	22	32

Model/Size	D	H	S	Y
STC22N-M10M	22	25	17	5.5
STC30N-M10M	32	28	17	9.5
STC40N-M10M	42	28.5	17	10
STC50N-M10M	52	36.2	22	11.5
STC60N-M10M	62.5	41	22	14.5
STC80N-M10M	82	49.5	22	22.5
STC100N-M10M	103	55	22	25
STC125N-M10M	128	68	22	32

Model/Size	D	H	S	Y
STC22N-M14M	22	25	17	5.5
STC30N-M14M	32	28	17	9.5
STC40N-M14M	42	28.5	17	10
STC50N-M14M	52	36.2	22	11.5
STC60N-M14M	62.5	41	22	14.5
STC80N-M14M	82	49.5	22	22.5
STC100N-M14M	103	55	22	25
STC125N-M14M	128	68	22	32

- SZ
- SP3
- SUF
- SAN
- SAO
- SOFA
- STP
- SFT
- SFA
- SBT
- SBL
- SBLP
- SBS
- SFP
- SBP
- SXP
- SGP
- SBOF
- STC**
- SFF
- SOB
- SOF
- SOG
- SFM
- SOM
- SBF
- SDM
- SFU
- SFK
- SHT
- SDL
- SFG
- SFGT
- SFD
- SB
- SBA
- SF
- SU
- SPA
- SPD
- SPF
- SPC
- SPJ
- SPU
- SH
- SHB
- SBB
- SOP
- SNP