

SXP Series

PU Bellows Suction Cup

AIRBEST



PACKAGING



LONG LIFETIME

RoHS

Features

- ◇ 2.5 Bellows
- ◇ Internal support structure at bottom
- ◇ PU material
- ◇ Various sizes are available

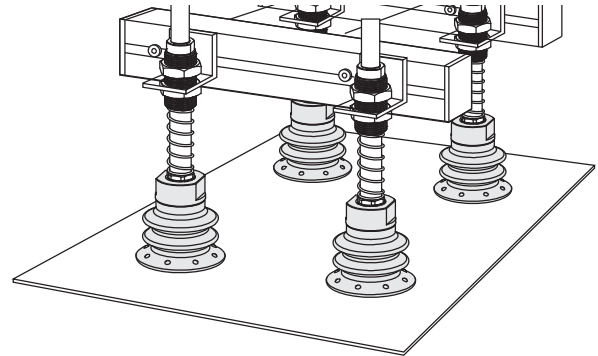
Advantages

- ◇ Easy to fit uneven surface of workpiece, and has buffer effect
- ◇ Prevent thin workpieces from permanent deformation
- ◇ Good wear resistance, long lifetime
- ◇ Suitable for workpieces with different sizes and shapes



Applications

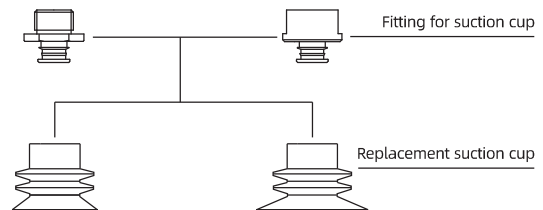
- ◇ Suitable for workpieces with every uneven surfaces, such as cartons, pipes, etc, fitting surfaces perfectly
- ◇ Suitable for handling cardboard box or cardboard
- ◇ Suitable for handling carton or handling in packaging machinery
- ◇ PU material has good wear resistance, suitable for heavy load occasions



Structure

- ◇ For suction cup with diameter $\phi 20\text{-}\phi 50\text{mm}$, suction cup and fitting are split structure design
- ◇ For suction cup with diameter $\phi 70\text{mm}$, suction cup and fitting are one-piece structure design
- ◇ Fitting for suction cup is with filter mesh

In same series, replacement suction cup and fitting can be combined on request



SXP Series

PU Bellows Suction Cup



How to order

SXP 30 U - G1F

① ② ③ ④

① Series	② Diameter	③ Material & Hardness	④ Connection thread
SXP	20 - φ20mm	U - PU 60	Nil - Scution cup only
	25 - φ25mm	UG - PU 55	G1M - G1/8 male thread
	30 - φ30mm	UD - PU 30 60	G2M - G1/4 male thread
	35 - φ35mm		G3M - G3/8 male thread
	40 - φ40mm		G1F - G1/8 female thread
	50 - φ50mm		G2F - G1/4 female thread
	70 - φ70mm		G3F - G3/8 female thread

Selection

Model	Connection thread	
	M - Male thread	F - Female thread
SXP20□	SXP20□-G1M	SXP20□-G1F
SXP25□	SXP25□-G1M	SXP25□-G1F
SXP30□	SXP30□-G1M	SXP30□-G1F
SXP35□	SXP35□-G1M	SXP35□-G1F
SXP40□	SXP40□-G1M	SXP40□-G1F
SXP50□	SXP50□-G2M SXP50□-G3M	SXP50□-G2F SXP50□-G3F
SXP70□	SXP70□-G3M	SXP70□-G3F

Technical parameters

Model	Pull-out force N	Inner volume cm ³	Min.curve radius of workpiece mm	Weight g	Recommended hose dia. mm	MPQ pcs
SXP20	14	2	24	1.8	6	5
SXP25	22	3	31	3.1	6	5
SXP30	31	5	30	4.4	6	5
SXP35	43	9	39	7.4	6	1
SXP40	56.5	11	45	10.4	6	1
SXP50	88	21	55	19.9	8	1
SXP70	173	55	80	66	10	1

◇ Note: Testing vacuum level -60kPa, workpiece with smooth and clean surface. The data of pull-out force as above are figured out without considering safety factor. The data may be different according to different workpiece surfaces. Recommend the length of vacuum hose to be as short as possible, max 2m.

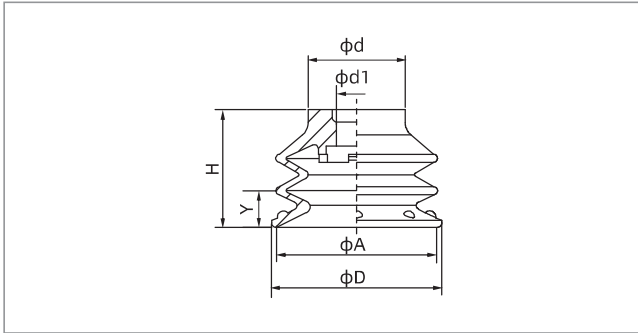
- SZ
- SP3
- SUF
- SAN
- SAO
- SOFA
- STP
- SFT
- SFA
- SBT
- SBL
- SBLP
- SBS
- SFP
- SBP
- SXP
- SGP
- SBOF
- STC
- SFF
- SOB
- SOE
- SOG
- SFM
- SOM
- SBF
- SDM
- SFU
- SFK
- SHT
- SDL
- SFG
- SFGT
- SFD
- SB
- SBA
- SF
- SU
- SPA
- SPD
- SPF
- SPC
- SPJ
- SPU
- SH
- SHB
- SBB
- SOP
- SNP

SXP Series

PU Bellows Suction Cup

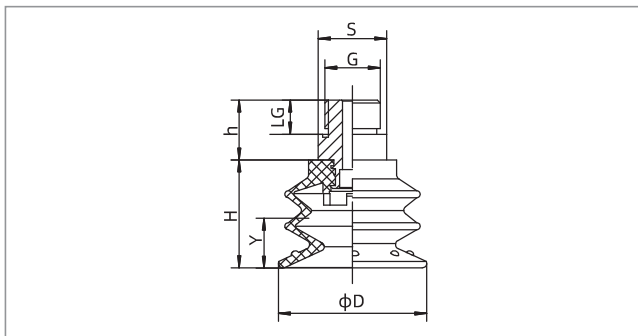


Dimensions(mm)



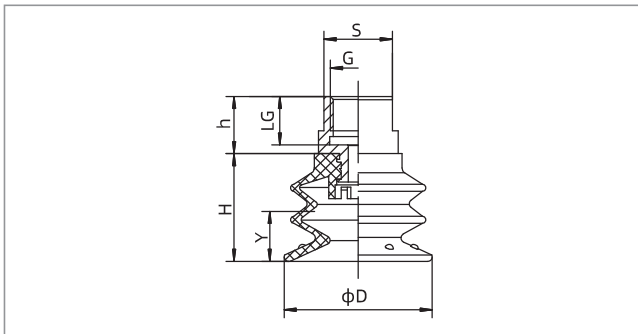
SXP20-50

Model/Size	D	H	A	d	d1	γ
SXP20□	21	14.8	20	12	5	4.5
SXP25□	26	18.9	24.4	15.4	5	7.3
SXP30□	30	21.3	28	16.5	5	8
SXP35□	35	25.3	33	21	6.5	9.8
SXP40□	40	28.4	37.5	22	6.5	10.6
SXP50□	50	35.5	47	27.5	10.5	13.4



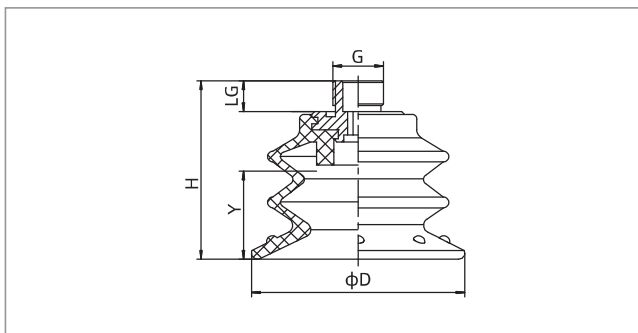
SXP20-50 Male thread connection

Model/Size	D	H	G	h	LG	S	γ
SXP20□-G1M	21	14.8	G1/8	7.8	6	13	4.5
SXP25□-G1M	26	18.9	G1/8	7.8	6	13	7.3
SXP30□-G1M	30	21.3	G1/8	7.8	6	13	8
SXP35□-G1M	35	25.3	G1/8	12	6	17	9.8
SXP40□-G1M	40	28.4	G1/8	12	6	17	10.6
SXP50□-G2M	50	35.5	G1/4	17	9	24	13.4
SXP50□-G3M	50	35.5	G3/8	18	10	24	13.4



SXP20-50 Female thread connection

Model/Size	D	H	G	h	LG	S	γ
SXP20□-G1F	21	14.8	G1/8	8	7	13	4.5
SXP25□-G1F	26	18.9	G1/8	8	7	13	7.3
SXP30□-G1F	30	21.3	G1/8	8	7	13	8
SXP35□-G1F	35	25.3	G1/8	10	7	17	9.8
SXP40□-G1F	40	28.4	G1/8	10	7	17	10.6
SXP50□-G2F	50	35.5	G1/4	13	10	24	13.4
SXP50□-G3F	50	35.5	G3/8	13	11	24	13.4



SXP70 Male thread connection

Model/Size	D	H	G	LG	γ
SXP70□-G3M	70	58.5	G3/8	10	18.6

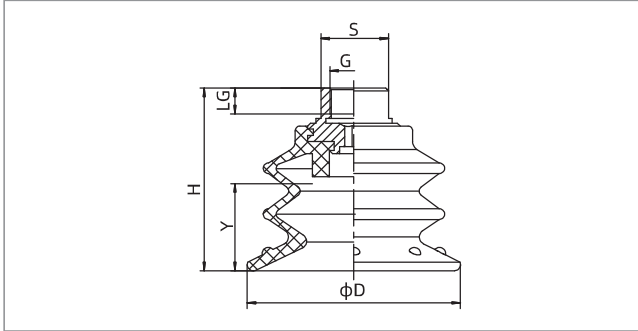
SXP Series

PU Bellows Suction Cup



Suction Cup

Dimensions(mm)



Model/Size	D	H	G	LG	S	Y
SXP70□-G3F	70	60	G3/8	11.5	22	18.6

SXP70 Female thread connection

◇ Note: The dimensional tolerance conforms to GBT3672.1-2002-1 M3 rubber product dimensional tolerance standard

Mounting parts

Item	Model M - Male thread	F - Female thread	Applicable suction cup
Fitting for suction cup	PJS-G1M-SF1-EW	PJS-G1F-SF1-EW	SXP20, 25, 30
	PJS-G1M-SF2-EW	PJS-G1F-SF2-EW	SXP35, 40
	PJS-G2M-SF3-EW	PJS-G2F-SF3-EW	SXP50
	PJS-G3M-SF3-EW	PJS-G3F-SF3-EW	SXP50

- SZ
- SP3
- SUF
- SAN
- SAO
- SOFA
- STP
- SFT
- SFA
- SBT
- SBL
- SBLP
- SBS
- SFP
- SBP
- SXP
- SGP
- SBOF
- STC
- SFF
- SOB
- SOF
- SOG
- SFM
- SOM
- SBF
- SDM
- SFU
- SFK
- SHT
- SDL
- SFG
- SFGT
- SFD
- SB
- SBA
- SF
- SU
- SPA
- SPD
- SPF
- SPC
- SPJ
- SPU
- SH
- SHB
- SBB
- SOP
- SNP