

TXD Series

Vacuum Gripper-Light Load Type



PACKAGING

Features

- ◇ The housing is made of high quality aluminum alloy
- ◇ With built-in large flow vacuum generator
- ◇ Suction cup adsorption surface type, with built-in throttling function
- ◇ Sponge adsorption surface type, with large area structure of inner cavity

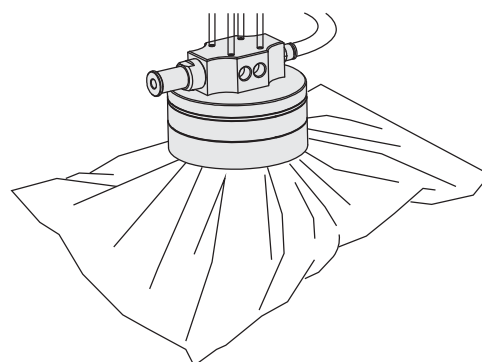
Advantages

- ◇ High strength and light weight
- ◇ Fast reaction time
- ◇ The inner cavity is large enough to handle the workpiece with obvious height difference on the surface



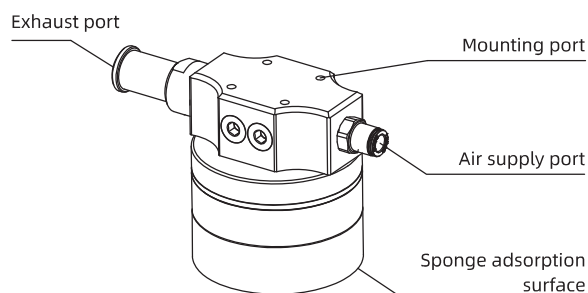
Applications

- ◇ Suction cup type is used to handle light and small sensitive workpieces, such as electronics, glass screen and electronic components, etc.
- ◇ Suction cup type is with built-in throttling function, which can be used to handle workpieces with leakage
- ◇ Sponge type is used for sorting and packing in packaging industry



Structure

- ◇ Vacuum source has flow type and vacuum type
- ◇ The adsorption surface has two structures: round and square
- ◇ Air supply port is equipped with $\phi 8$ one-touch fitting, which can be directly connected to the hose. There is a vacuum port on the side. The exhaust way is direct exhaust.



Vacuum gripper

TXN

TXD

TXC

TXM

TXP

TXH

TXL

TXD Series

Vacuum Gripper-Light Load Type



How to order

TXD 80 S - H
① ② ③ ④

① Series	② Dimension	③ Adsorption surface type		④ Vacuum source type
TXD	80	R	- Square sponge	H - Vacuum type (-95kPa)
	100	S	- Round sponge	L - Flow type (-75kPa)
	120	B3N/B5N/B7N	- Round NBR suction cup	
		B3WS/B5WS/B7WS	- Round silicone suction cup	

Selection-Sponge type

Model/adsorption surface type	R - Square sponge		S - Round sponge	
TXD80□-□	TXD80R-H	TXD80R-L	TXD80S-H	TXD80S-L
TXD100□-□	TXD100R-H	TXD100R-L	TXD100S-H	TXD100S-L
TXD120□-□	TXD120R-H	TXD120R-L	TXD120S-H	TXD120S-L

Selection-suction cup type

Model/suction cup material	Nil-NBR		WS-White silicone	
TXD80B3□-□	TXD80B3N-H	TXD80B3N-L	TXD80B3WS-H	TXD80B3WS-L
TXD80B5□-□	TXD80B5N-H	TXD80B5N-L	TXD80B5WS-H	TXD80B5WS-L
TXD80B7□-□	TXD80B7N-H	TXD80B7N-L	TXD80B7WS-H	TXD80B7WS-L

Technical parameters

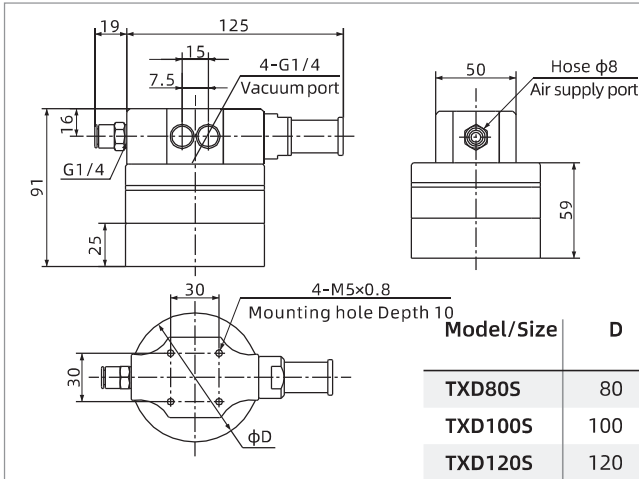
Model	Rated air supply pressure bar	Max.vacuum level -kPa	Max.vacuum flow NL/min	Air consumption NL/min	Weight kg	Recommended hose dia. (mm) Air supply port P
TXD80R-L	6.0	75	180	120	0.55	φ8
TXD80R-H	5.0	95	170	125	0.55	φ8
TXD80S-L	6.0	75	180	120	0.5	φ8
TXD80S-H	5.0	95	170	125	0.5	φ8
TXD80B-L	6.0	75	180	120	0.65	φ8
TXD80B-H	5.0	95	170	125	0.7	φ8
TXD100R-L	6.0	75	180	120	0.65	φ8
TXD100R-H	5.0	95	170	125	0.65	φ8
TXD100S-L	6.0	75	180	120	0.6	φ8
TXD100S-H	5.0	95	170	125	0.6	φ8
TXD120R-L	6.0	75	180	120	0.73	φ8
TXD120R-H	5.0	95	170	125	0.73	φ8
TXD120S-L	6.0	75	180	120	0.8	φ8
TXD120S-H	5.0	95	170	125	0.8	φ8

TXD Series

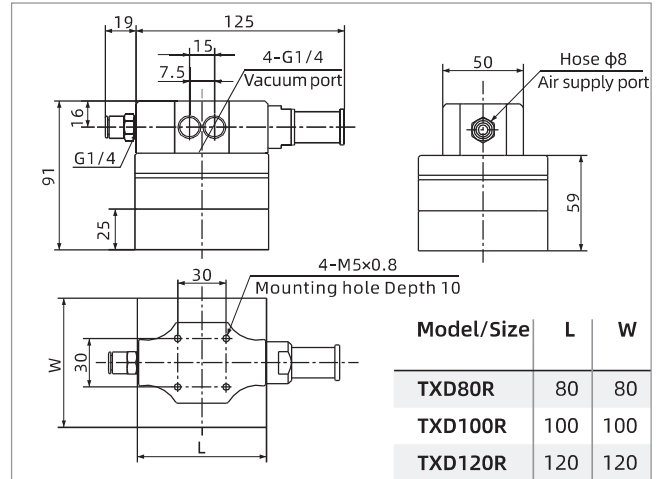
Vacuum Gripper-Light Load Type



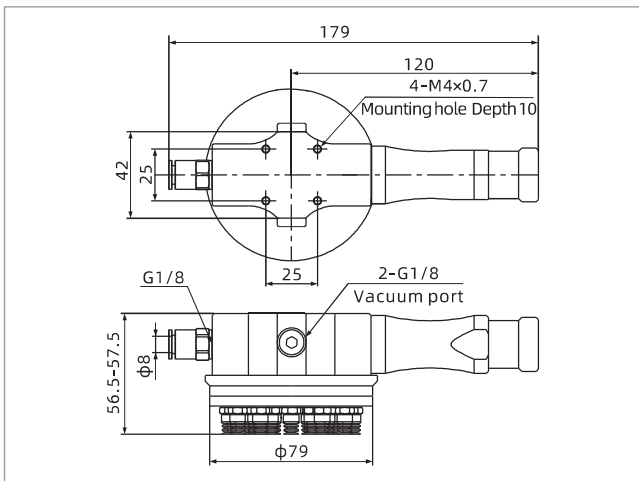
Dimensions(mm)



TXD□S - Round sponge



TXD□R - Square sponge



TXD80B - Round suction cup

Spare parts selection

Item	Adsorption surface model	Adsorption surface dimension mm	Applicable gripper model
TXD80R Spone	TXD80RA	φ80×25	TXD80R-H, TXD80R-L
TXD80S Spone	TXD80SA	80×80×25	TXD80S-H, TXD80S-L
TXD100R Spone	TXD100RA	φ100×25	TXD100R-H, TXD100R-L
TXD100S Spone	TXD100SA	100×100×25	TXD100S-H, TXD100S-L
TXD120R Spone	TXD120RA	φ120×25	TXD120R-H, TXD120R-L
TXD120S Spone	TXD120SA	120×120×25	TXD120S-H, TXD120S-L

Vacuum gripper

- TXN
- TXD
- TXC
- TXM
- TXP
- TXH
- TXL