

TXM Series

Vacuum Gripper-Blower Standard Type



UNIVERSAL

Features

- ◇ The housing is made of high quality aluminum alloy
- ◇ External vacuum generator or blower can be connected
- ◇ Suction cup type and sponge type are optional for adsorption surface
- ◇ Built-in non-return valve can be selected

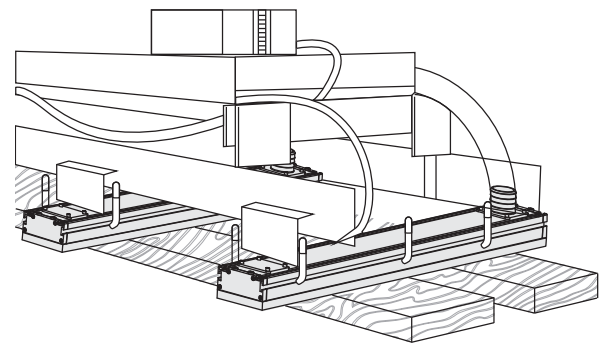
Advantages

- ◇ High strength and light weight
- ◇ The vacuum source can be selected accurately according to the actual working condition
- ◇ Suitable for the handling of various industries
- ◇ It can meet the handling of different dimension workpieces



Applications

- ◇ Mainly used in the packaging industry, such as intelligent warehousing, intelligent logistics, stacking and unstacking, unmanned sorting, etc.
- ◇ With built-in non-return valve, it can be used to adsorb the workpieces with certain leakage, different sizes and different shapes
- ◇ Because of its light weight, it is very suitable for robots

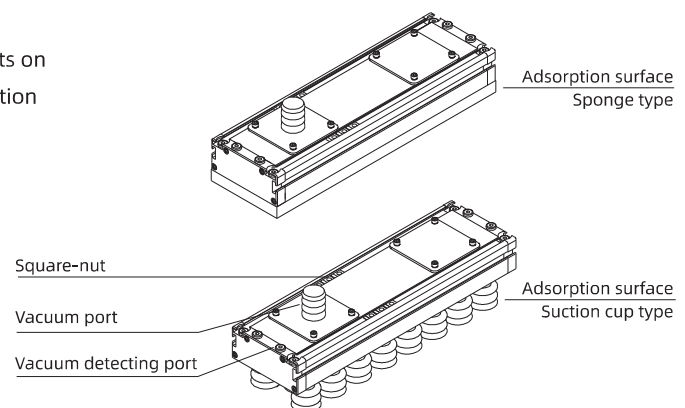


Vacuum gripper

TXN
TXD
TXC
TXM
TXP
TXH
TXL

Structure

- ◇ The main body is made of aluminum alloy, with T-shaped slots on the front and side respectively, which can be used for installation or mounting of the inductive switch
- ◇ It is equipped with Square-nut (M8 × 18 × 14 × 5.5)
- ◇ The gripper has one vacuum port and 8 vacuum detecting ports (8-G1/8F). The vacuum port can connect to external steel wire hose
- ◇ Non-return valve is optional
- ◇ For sponge type, A1, A3, A5 sponge can be selected
- ◇ For suction cup type, B30, B40 can be selected



TXM Series



Vacuum Gripper-Blower Standard Type

How to order

TXM 130×400 - A3 - V
① ② ③ ④

① Series	② Dimension	③ Adsorption surface type	④ Non-return valve
TXM	130×400	A1 - Single row sponge holes	Nil - Default, Without non-return valve
	130×600	A3 - Three rows sponge holes	(Throttling hole structure)
	130×800	A5 - Five rows sponge holes	V - With non-return valve
	130×1000	B30 - Suction cup type(suction cup dia.30mm)	(Ball valve structure)
	130×1200	B40 - Suction cup type(suction cup dia.40mm)	
	130×1400		

Selection-Standard type

Model/ Adsorption surface type	A1 - Single row sponge holes	A3 - Three rows sponge holes	A5 - Five rows sponge holes	B30 - Suction cup type	B40 - Suction cup type
TXM130×400-□	TXM130×400-A1	TXM130×400-A3	TXM130×400-A5	TXM130×400-B30	TXM130×400-B40
TXM130×600-□	TXM130×600-A1	TXM130×600-A3	TXM130×600-A5	TXM130×600-B30	TXM130×600-B40
TXM130×800-□	TXM130×800-A1	TXM130×800-A3	TXM130×800-A5	TXM130×800-B30	TXM130×800-B40
TXM130×1000-□	TXM130×1000-A1	TXM130×1000-A3	TXM130×1000-A5	TXM130×1000-B30	TXM130×1000-B40
TXM130×1200-□	TXM130×1200-A1	TXM130×1200-A3	TXM130×1200-A5	TXM130×1200-B30	TXM130×1200-B40
TXM130×1400-□	TXM130×1400-A1	TXM130×1400-A3	TXM130×1400-A5	TXM130×1400-B30	TXM130×1400-B40

Selection-With non-return valve

Model/ Adsorption surface type	A1 - Single row sponge holes	A3 - Three rows sponge holes	A5 - Five rows sponge holes	B30 - Suction cup type	B40 - Suction cup type
TXM130×400-□-V	TXM130×400-A1-V	TXM130×400-A3-V	TXM130×400-A5-V	TXM130×400-B30-V	TXM130×400-B40-V
TXM130×600-□-V	TXM130×600-A1-V	TXM130×600-A3-V	TXM130×600-A5-V	TXM130×600-B30-V	TXM130×600-B40-V
TXM130×800-□-V	TXM130×800-A1-V	TXM130×800-A3-V	TXM130×800-A5-V	TXM130×800-B30-V	TXM130×800-B40-V
TXM130×1000-□-V	TXM130×1000-A1-V	TXM130×1000-A3-V	TXM130×1000-A5-V	TXM130×1000-B30-V	TXM130×1000-B40-V
TXM130×1200-□-V	TXM130×1200-A1-V	TXM130×1200-A3-V	TXM130×1200-A5-V	TXM130×1200-B30-V	TXM130×1200-B40-V
TXM130×1400-□-V	TXM130×1400-A1-V	TXM130×1400-A3-V	TXM130×1400-A5-V	TXM130×1400-B30-V	TXM130×1400-B40-V

Technical parameters

Model	Max.theoretical suction force N (-30kPa)	Max.theoretical suction force N (-40kPa)	Max.theoretical suction force N (-50kPa)	Max.theoretical suction force N (-60kPa)	Weight kg V-with non- return valve	Blower connection port dia. mm	QTY of suction hole PCS
TXM130×400-A1	280	373	465	559	2.3	φ32	15
TXM130×600-A1	410	546	683	820	3.1	φ32	22
TXM130×800-A1	590	787	984	1,180	3.9	φ60	30
TXM130×1000-A1	690	919	1,149	1,379	4.6	φ60	37
TXM130×1200-A1	820	1,093	1,367	1,640	5.4	φ60	44
TXM130×1400-A1	951	1,267	1,584	1,901	6.6	φ60	52

TXM Series



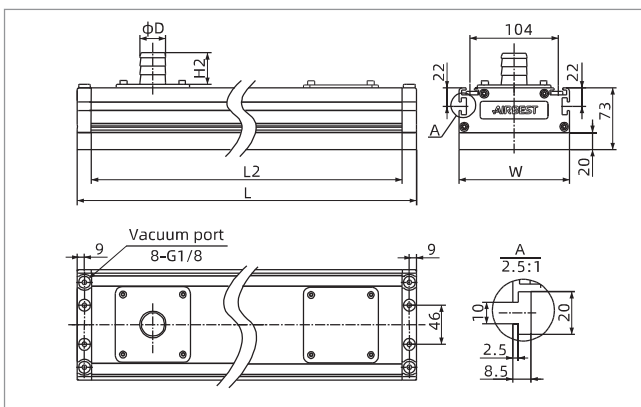
Vacuum Gripper-Blower Standard Type

Technical parameters

Model	Max.theoretical suction force N (-30kPa)	Max.theoretical suction force N (-40kPa)	Max.theoretical suction force N (-50kPa)	Max.theoretical suction force N (-60kPa)	Weight kg V-with non-return valve	Blower connection port dia. mm	QTY of suction hole PCS
TXM130×400-A3	169	227	286	344	2.3	φ32	65
TXM130×600-A3	254	343	431	519	3.1	φ32	98
TXM130×800-A3	340	458	576	694	3.9	φ60	131
TXM130×1000-A3	426	574	721	869	4.6	φ60	164
TXM130×1200-A3	512	689	866	1,044	5.4	φ60	197
TXM130×1400-A3	598	805	1,012	1,219	6.6	φ60	230
TXM130×400-A5	170	226	283	340	2.3	φ32	108
TXM130×600-A5	255	340	425	510	3.1	φ32	165
TXM130×800-A5	335	447	558	670	3.9	φ60	220
TXM130×1000-A5	435	580	725	870	4.6	φ60	275
TXM130×1200-A5	505	673	842	1,010	5.4	φ60	330
TXM130×1400-A5	590	787	983	1,180	6.6	φ60	385
TXM130×400-B30	294	392	490	588	3.1	φ32	28
TXM130×600-B30	451	602	752	903	4.1	φ32	43
TXM130×800-B30	577	770	962	1,155	5.3	φ60	55
TXM130×1000-B30	735	980	1,225	1,470	6.2	φ60	70
TXM130×1200-B30	892	1,190	1,487	1,785	7.3	φ60	85
TXM130×1400-B30	1,029	1,372	1,715	2,058	8.8	φ60	98
TXM130×400-B40	432	575	722	867	3.3	φ32	23
TXM130×600-B40	658	875	1,099	1,319	4.6	φ32	35
TXM130×800-B40	883	1,175	1,475	1,771	6.0	φ60	47
TXM130×1000-B40	1,109	1,475	1,852	2,224	7.1	φ60	59
TXM130×1200-B40	1,334	1,775	2,229	2,676	8.5	φ60	71
TXM130×1400-B40	1,560	2,075	2,606	3,129	10.1	φ60	83

◇ Note: The suction force in the above table is the theoretical suction force obtained under the condition that the vacuum gripper is fully covered by a rigid airtight workpiece, and without considering safety factor.

Dimensions(mm)



TXM130×400(600-1400)-A Sponge type

Model/Size	L	L2	W	D	H2
TXM130×400-A	434	400	130	33	40
TXM130×600-A	634	600	130	33	40
TXM130×800-A	834	800	130	61	50
TXM130×1000-A	1,034	1,000	130	61	50
TXM130×1200-A	1,234	1,200	130	61	50
TXM130×1400-A	1,434	1,400	130	61	50

Vacuum gripper

TXN

TXD

TXC

TXM

TXP

TXH

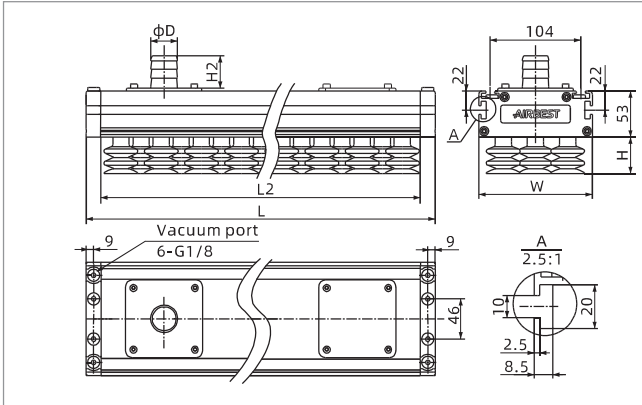
TXL

TXM Series



Vacuum Gripper-Blower Standard Type

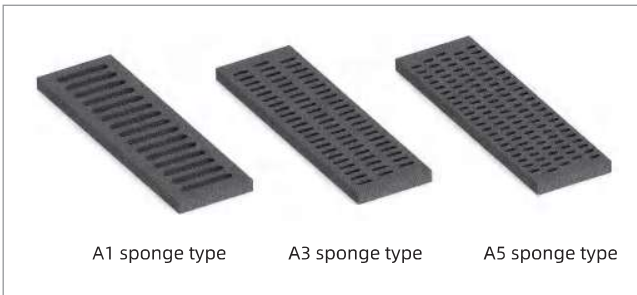
Dimensions(mm)



TXM130x400(600-1400)-B Suction cup type

Model/size	L	L2	W	D	H2	B30	H B40
TXM130x400-B	434	400	130	33	40	37	45
TXM130x600-B	634	600	130	33	40	37	45
TXM130x800-B	834	800	130	61	50	37	45
TXM130x1000-B	1,034	1,000	130	61	50	37	45
TXM130x1200-B	1,234	1,200	130	61	50	37	45
TXM130x1400-B	1,434	1,400	130	61	50	37	45

Spare parts selection(mm)



Sponge type



Suction cup type

Spare parts selection

Item	Model	Dimension mm
Sponge	TXC400-A1, TXC400-A3, TXC400-A5	434x130x20
	TXC600-A1, TXC600-A3, TXC600-A5	634x130x20
	TXC800-A1, TXC800-A3, TXC800-A5	834x130x20
	TXC1000-A1, TXC1000-A3, TXC1000-A5	1034x130x20
	TXC1200-A1, TXC1200-A3, TXC1200-A5	1234x130x20
	TXC1400-A1, TXC1400-A3, TXC1400-A5	1434x130x20
Suction cup	SPC30S	φ30
	SPC40S	φ40

◇ Note: Sponges are consumables in this product. Please replace it in time according to actual working conditions, otherwise, it will affect the adsorption effect.
Operating temperature: - 10 ~ 60 °C, do not contact with strong acid, strong alkali and other corrosive gas or liquid, do not contact with sharp objects.