

ZFA Series

Universal Vacuum Filter

AIRBEST



UNIVERSAL

RoHS

Features

- ◇ Straight through design, one-touch fitting, with bracket, easy to mount
- ◇ Small size and light weight
- ◇ Filter elements could be replaced
- ◇ Suitable for vacuum and positive pressure systems with light or medium pollution level



Vacuum Accessories

ZFA

ZFE

ZFD

ZFB

ZFL

ZFP

ZVAB

ZVAC

ZVAA

ZVEA

ZVR

ZVRM

ZVCM

ZVD

ZVT

ZVS

ZPDT

ZPDE

ZPMR

ZSA

How to order

ZFA 5 4 B
① ② ③ ④

① Series	② Filter area	③ Hose diameter	④ Bracket
ZFA	5 - Filter area 790mm ² 7 - Filter area 1,280mm ²	4 - φ4 hose 6 - φ6 hose 8 - φ8 hose 10 - φ10 hose 12 - φ12 hose	B - Default, with bracket

Selection

Model/Hose diameter 4 - φ4hose	6 - φ6hose	8 - φ8hose	10 - φ10hose	12 - φ12hose
ZFA54B	ZFA56B	-	-	-
-	ZFA76B	ZFA78B	ZFA710B	ZFA712B

Technical parameters

Model	Hose diameter mm	Fluid	Rated operating pressure range MPa	Max. pressure resistance MPa	Positive pressure flow NL/min	Vacuum flow NL/min	Removal efficiency μm	Operating temperature °C	Weight g
ZFA54B	φ4	Air,Nitrogen	-0.1~0.8	1.0	40	10	5	0~60	14
ZFA56B	φ6	Air,Nitrogen	-0.1~0.8	1.0	130	75	5	0~60	13
ZFA76B	φ6	Air,Nitrogen	-0.1~0.8	1.0	140	80	5	0~60	24
ZFA78B	φ8	Air,Nitrogen	-0.1~0.8	1.0	280	110	5	0~60	24
ZFA710B	φ10	Air,Nitrogen	-0.1~0.8	1.0	320	120	5	0~60	30
ZFA712B	φ12	Air,Nitrogen	-0.1~0.8	1.0	370	140	5	0~60	31

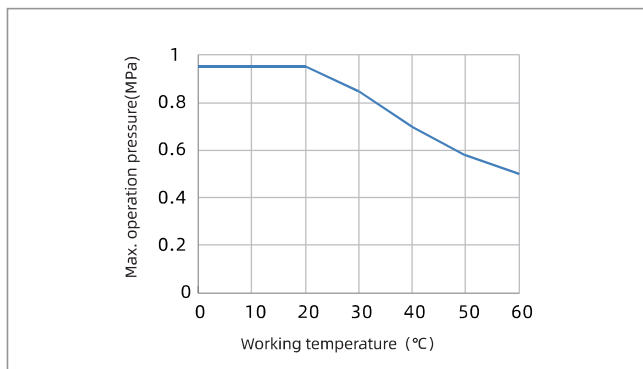
◇ Note: Positive pressure flow is tested at air supply pressure 0.1Mpa

ZFA Series

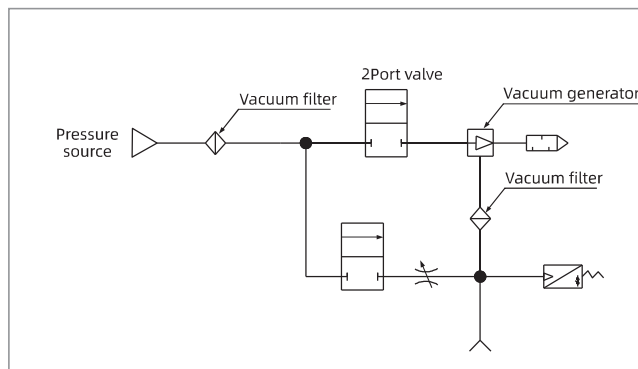
Universal Vacuum Filter



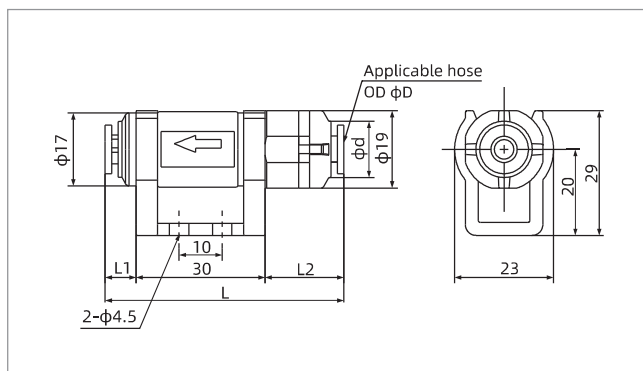
Max. operating pressure and temperature



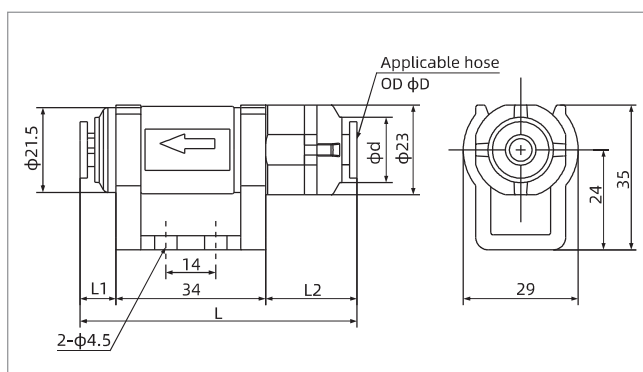
Application diagram



Dimensions (mm)



ZFA5□B



ZFA7□B

Model/Size	L	L1	D	d
ZFA54B	55.5	8	4	13
ZFA56B	55.5	8	6	13

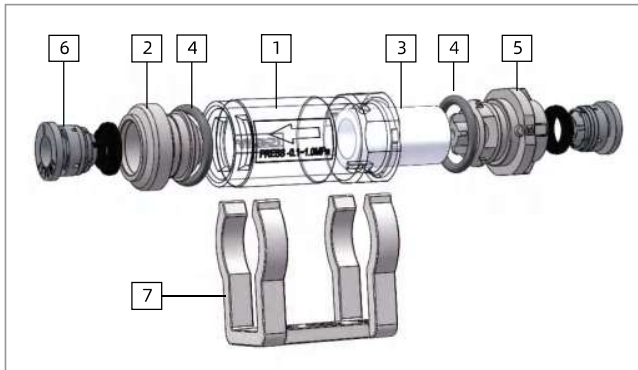
Model/Size	L	L1	D	d
ZFA76B	67	10.5	6	15.5
ZFA78B	69.5	12	8	16
ZFA710B	78.5	17	10	19.5
ZFA712B	78.5	17	12	21

ZFA Series

Universal Vacuum Filter



Structural diagram



NO.	Item	Material	Q'ty
1	Housing	PC	1
2	Rear cap	PBT	1
3	Filter element	PE	1
4	O-ring	NBR	2
5	Front cap	PBT	1
6	One-touch fitting	-	2
7	Bracket	PBT	1

Repair kits



Item	Model	Dimension	Applicable vacuum filter
Tool	ZFA5-SP	-	ZFA54, 56
	ZFA7-SP	-	ZFA76, 78, 710, 712
Filter element	ZFA5-FE	8×12×L20	ZFA54, 56
	ZFA7-FE	12×16×L25	ZFA76, 78, 710, 712

◇ Note: The minimum packing quantity of filter element is 10pcs/bag.

Filter element replacement

1. Stop supplying air and reduce the pressure in the vacuum filter to atmospheric pressure
2. Put tool on the front cap and turn it 90° anti-clockwise
3. Pull out the front cap, remove the filter element, and if there is dust inside the housing, clean it with an air gun (make sure that it does not damage the O-ring)
4. Install new filter element on the front cap and insert it into the housing.
5. Align the side without number of front cap at the limit mark, and push it until touching the housing
6. Rotate clockwise with the tool until it stops (align the number at the limit mark)

Cautions:

1. When connecting the hose, check the arrow indicating the flow direction. If reverse connecting, airtightness of the filter element cannot be ensured
2. In one air line, positive and negative pressure should not be used at the same time
3. Please make sure not to damage the O-ring during assembling and disassembling. And please confirm that there is no air leakage after the filter element is replaced
4. The vacuum filter and hose shall not withstand external force such as torsion, pull, load, vibration, impact, etc., and external force may cause danger at high positive pressure
5. There is anti-rotating structure at the limit mark. After replacing the filter element, please confirm the position of the limit mark
6. Please use vacuum filter at rated working pressure
7. Compressed air operation may cause danger. Therefore, filter replacement and other maintenance should be operated by a person who has sufficient knowledge and experience in air mechanics while complying with product specifications

