

ZFE Series

Small Vacuum Filter



UNIVERSAL

Features

- ◇ Straight through design, one-touch fitting, with bracket, easy to mount
- ◇ Small size and light weight
- ◇ Transparent housing, easy to indicate the degree of contamination
- ◇ Filter element could be replaced
- ◇ Suitable for vacuum system with light and medium pollution level



How to order

ZFE - 04 B

① ② ③

① Series	② Hose diameter	③ Bracket
ZFE	02 - ϕ 2hose 03 - ϕ 3.2hose 04 - ϕ 4hose	B - Default, with bracket

Selection

Model/Hose diameter 02 - ϕ 2hose	03 - ϕ 3.2hose	04 - ϕ 4hose
ZFE-02B	ZFE-03B	ZFE-04B

Technical parameters

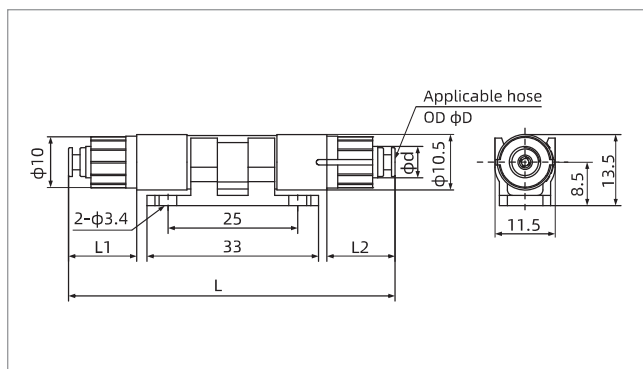
Model	Applicable hose dia. mm	Fluid	Rated operating pressure range kPa	Max. pressure difference bar	Nominal flow NL/min	Removal efficiency μ m	Working temperature $^{\circ}$ C	Applicable hose material	Weight g
ZFE-02B	ϕ 2	Air	-100~0	1.5	2	10	0~60	Nylon,PU	6
ZFE-03B	ϕ 3.2	Air	-100~0	1.5	7	10	0~60	Nylon,PU	6
ZFE-04B	ϕ 4	Air	-100~0	1.5	10	10	0~60	Nylon,PU	6

ZFE Series

Small Vacuum Filter



Dimensions (mm)



Model/Size	L	L1	L2	D	d
ZFE-02B	59.5	13	13	2	6
ZFE-03B	59.5	11.5	11.5	3.2	-
ZFE-04B	59.5	12.8	12.8	4	-

ZFE-□B

Repair kits



Item	Model	Size	Applicable vacuum filter
Filter element	ZFE-FE	6×4×L25.3	ZFE-02、-03、-04

◇ Note: The minimum packing quantity of filter element is 10pcs/bag

Vacuum Accessories

ZFA

ZFE

ZFD

ZFB

ZFL

ZFP

ZVAB

ZVAC

ZVAA

ZVEA

ZVR

ZVRM

ZVCM

ZVD

ZVT

ZVS

ZPDT

ZPDE

ZPMR

ZSA