

# ZFP Series

## Large-flow Vacuum Filter



UNIVERSAL

### Features

- ◇ It can effectively prevent solid particles or dust from being sucked into the vacuum generator or system, reduce wear, improve operation reliability, extend the lifetime of the vacuum generator, and also effectively protect components of vacuum system (such as vacuum valve, vacuum gauge, etc.)
- ◇ All-steel structure, sturdy and durable, suitable for heavy load requirements of industrial use, adopts seamless tensile metal housing with copper welding joint, which has the advantages of high air tightness, large space for dirt, easy cleaning, easy replacement of filter element, and quick inlet and outlet with threaded connection
- ◇ Various nominal flow rates for option



### How to order

## ZFP 30

① ②

① Series	② Nominal flow
ZFP	30 - 32m <sup>3</sup> /h
	40 - 42m <sup>3</sup> /h
	100 - 100m <sup>3</sup> /h
	120 - 120m <sup>3</sup> /h
	300 - 300m <sup>3</sup> /h

### Selection

Model/Nominal flow 30 - 32m <sup>3</sup> /h	40 - 42m <sup>3</sup> /h	100 - 100m <sup>3</sup> /h	120 - 120m <sup>3</sup> /h	300 - 300m <sup>3</sup> /h
ZFP30	ZFP40	ZFP100	ZFP120	ZFP300

### Technical parameters

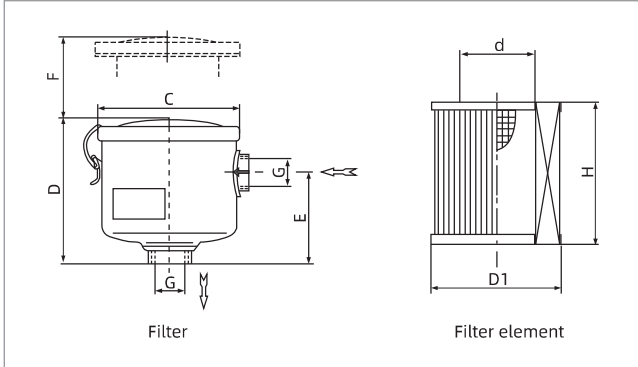
Model	Rated operating pressure range kPa	Body material	Nominal flow m <sup>3</sup> /h	Internal volume cm <sup>3</sup>	Filter area cm <sup>2</sup>	Removal efficiency μm	Working temperature °C	Weight kg
ZFP30	-100~0	Steel	32	45	30	10	-15~90	1
ZFP40	-100~0	Steel	42	195	100	10	-15~90	1
ZFP100	-100~0	Steel	100	205	100	10	-15~90	1.4
ZFP120	-100~0	Steel	120	495	190	10	-15~90	2.3
ZFP300	-100~0	Steel	300	675	230	10	-15~90	6.9

# ZFP Series

## Large-flow Vacuum Filter



### Dimensions (mm)



Model/Size	G	C	D	E	F	D1	d	D
ZFP30	G1/2	101	90	53	70	65	38	69
ZFP40	G3/4	101	90	53	70	65	38	69
ZFP100	G1"1/4	146	110	70	75	98	60	70
ZFP120	G1"1/4	185	170	115	130	128	64	125
ZFP300	G2"	222	258	125	140	150	88	222

ZFP

### Repair kits



Item	Model	Applicable vacuum filter
Filter element	ZFP30-FE	ZFP30、40
	ZFP100-FE	ZFP100
	ZFP120-FE	ZFP120
	ZFP300-FE	ZFP300

Vacuum Accessories

ZFA

ZFE

ZFD

ZFB

ZFL

**ZFP**

ZVAB

ZVAC

ZVAA

ZVEA

ZVR

ZVRM

ZVCM

ZVD

ZVT

ZVS

ZPDT

ZPDE

ZPMR

ZSA