

# ZPDE Series



## High-precision Digital Pressure Switch



UNIVERSAL

### Features

- ◇ Digital display electronic pressure switch, optional two-color display
- ◇ 4-digit seven-segment LED display
- ◇ Pressure units can be converted and displayed on the screen
- ◇ Parameter values can be displayed directly on the screen

### Advantages

- ◇ Monitor the system action clearly and visually, could change the setting content and backlight display mode
- ◇ The pressure is displayed on the screen, easy to read
- ◇ Easy to operate with the clear display



### Application

- ◇ Monitor the vacuum system, optimize the working cycle
- ◇ Adjust the system circuit, improve economic benefit of vacuum system
- ◇ Square shape is more suitable for installing panel
- ◇ Suitable for all automation handling industries

### Structure

- ◇ Electronic vacuum switch, solid polycarbonate case
- ◇ 2m connecting cable
- ◇ Optional mounting bracket and panel type mounting frame

### How to order

ZPDE - C N - R1M - AB  
 ①            ②   ③            ④            ⑤

① Series	② Pressure range	③ Output specification	④ Connection thread	⑤ Accessories
ZPDE	C - Compound P - Positive	N - 1NPN output	R1M - Rc1/8 male thread	Nil - Without accessory AB - A type mounting bracket BB - B type mounting bracket PS - Panel adapter PC - Panel adapter + front protective lid

### Selection

Model	Accessories AB	BB	PS	PC
ZPDE-CN-R1M	ZPDE-CN-R1M-AB	ZPDE-CN-R1M-BB	ZPDE-CN-R1M-PS	ZPDE-CN-R1M-PC
ZPDE-PN-R1M	ZPDE-PN-R1M-AB	ZPDE-PN-R1M-BB	ZPDE-PN-R1M-PS	ZPDE-PN-R1M-PC

# ZPDE Series



## High-precision Digital Pressure Switch

### Technical parameters

Model		ZPDE-C (Compound)	ZPDE-P (Positive)
Rated pressure range		-100.0~100.0kPa	-0.100~1.000MPa
Setting pressure range		-103.0~103.0kPa	-0.103~1.030MPa
Withstand pressure		500kPa	1.5MPa
Fluid		Air, Non-corrosive gas/Non-flammable gas	Air, Non-corrosive gas/Non-flammable gas
Pressure unit	kPa	0.1	1
Set pressure resolution	MPa	-	-
	kgf/cm <sup>2</sup>	0.001	0.01
	bar	0.001	0.01
	psi	0.01	0.1
	inHg	0.1	-
	mmHg	1	-
Power supply voltage		12to24V DC±10%,ripple(P-P)10% or less	
Current consumption		≤40mA (Without load)	
Switch output	Output type	Open collector (NPN)	
	Load current	Max.125mA	
	Residual voltage	≤1.0V	
	Response time	≤2.5ms(Chattering-proof function:25ms,100ms,250ms,500ms,1000ms,1500ms selectable)	
Display	Display	White (Sampling rate:0.2 time/sec,0.5 time/sec,1 time/sec for choice)	
	Indicator accuracy	±1%F.S.±1 digit (ambient temperature:25±3°C)	
	Repeatability	±0.3%F.S.±1 digit	
	Switch ON Indicator	White (1 indicator) OUT1	
Environment	Enclosure	IP40	
	Ambient temp. range	0~50°C	
	Temperature characteristic	±2% F.S.of rated ambient temperature 25°C (at temp. range of 0~50°C)	
	Storage temperature	Storage:-10-60°C (No condensation or freezing)	
	Ambient humidity	Operation/ storage:35-85%HR (No condensation)	
	Withstand voltage	1000V AC in 1-min (between case and lead wire)	
	Insulation resistance	50MΩ above (500V DC) (between case and lead wire)	
	Vibration	Total amplitude 1.5mm Or 10G,10Hz~150Hz~10Hz for 1 minute,two hours each direction of X,Y and Z	
	Shock	100m/s <sup>2</sup> (10G)3 times each in direction of X,Y and Z	
Port size		Rc1/8, M5	
Lead wire		φ4 oil-resistance PVC cable- 3 core	
Weight		67g(with 2-meter lead wire)	

Vacuum Accessories

ZFA

ZFE

ZFD

ZFB

ZFL

ZFP

ZVAB

ZVAC

ZVAA

ZVEA

ZVR

ZVRM

ZVCM

ZVD

ZVT

ZVS

ZPDT

ZPDE

ZPMR

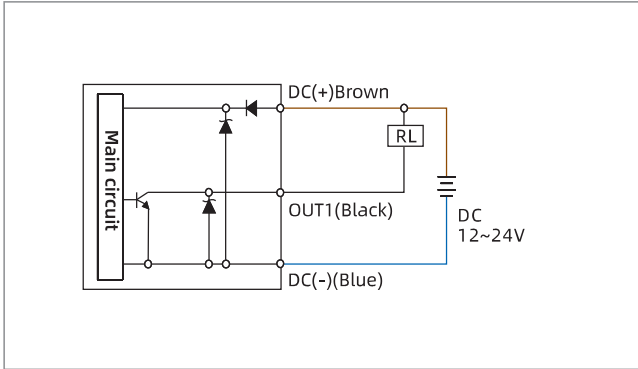
ZSA

# ZPDE Series

## High-precision Digital Pressure Switch

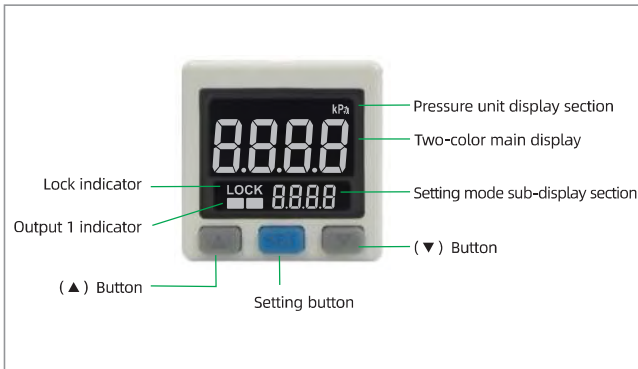


### Output circuit wiring diagrams

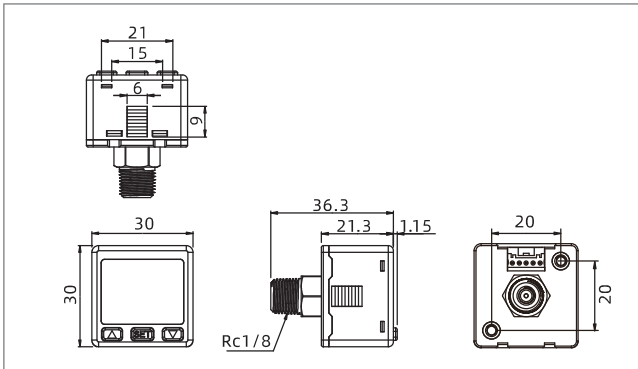


ZPDE-□N-R1M 1NPN output

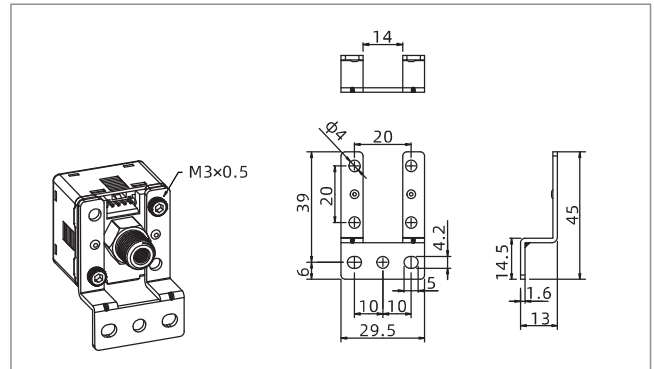
### Panel instructions



### Dimensions (mm)



ZPDE-□N-R1M



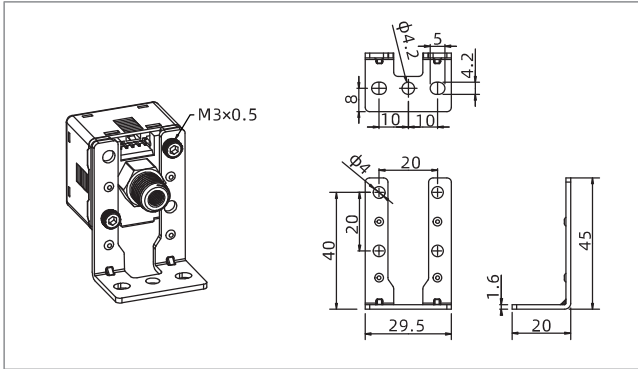
ZPDE-□N-R1M-AB Mounting bracket A type

# ZPDE Series

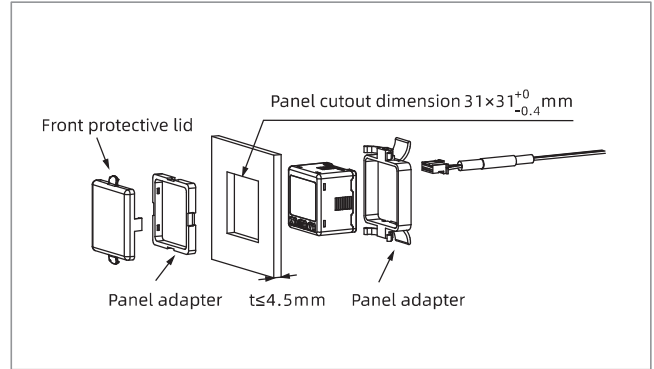
## High-precision Digital Pressure Switch



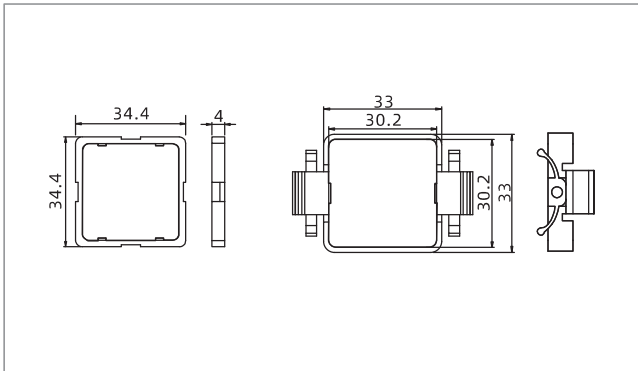
### Dimensions (mm)



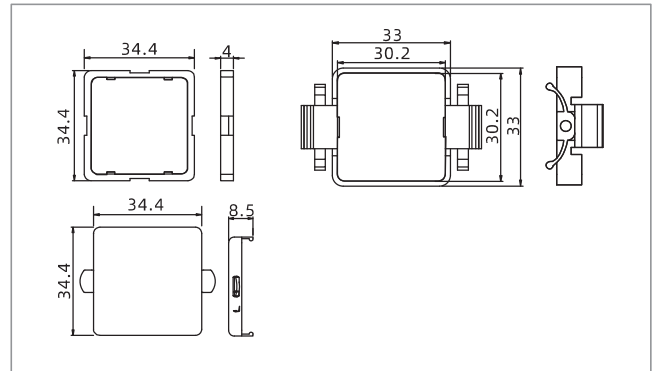
ZPDE-□N-R1M-BB Mounting bracket B type



Panel type



ZPDE-□N-R1M-PS Panel adapter



ZPDE-□N-R1M-PC Front protective lid + panel adapter

### Accessories

Item	Model
Mounting bracket A type	ZPDT-A-MB
Mounting bracket B type	ZPDT-B-MB
Panel adapter	ZPDT-PS
Front protective lid + panel adapter	ZPDT-PC

Vacuum Accessories

ZFA

ZFE

ZFD

ZFB

ZFL

ZFP

ZVAB

ZVAC

ZVAA

ZVEA

ZVR

ZVRM

ZVCM

ZVD

ZVT

ZVS

ZPDT

ZPDE

ZPMR

ZSA