

# ZVS Series

## Fast Blow-off Valve



UNIVERSAL

### Features

- ◇ It is connected with the suction cup, can effectively seal the vacuum and break the vacuum under the condition of positive pressure input

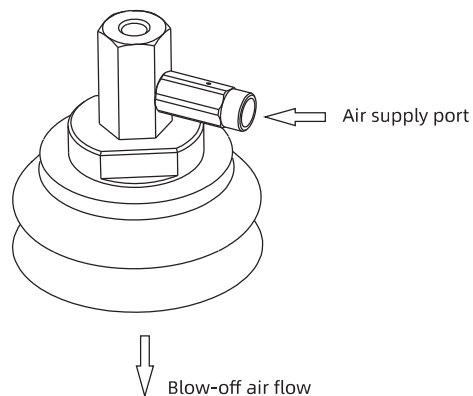
### Advantages

- ◇ Low startig pressure with stable and fast blow-off even if there are multiple suction cups working at the same time
- ◇ Fast vacuum break as it is mounted directly on the suction cup



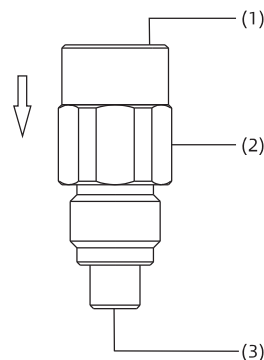
### Application

- ◇ Fast blow-off to break vacuum
- ◇ The blow-off air flow can clean the suction cup as it is mounted directly on the suction cup



### Structure

- ◇ (1) Air supply port
- ◇ (2) Main body
- ◇ (3) Exhaust port



# ZVS Series

## Fast Blow-off Valve

### How to order

## ZVS - G1F

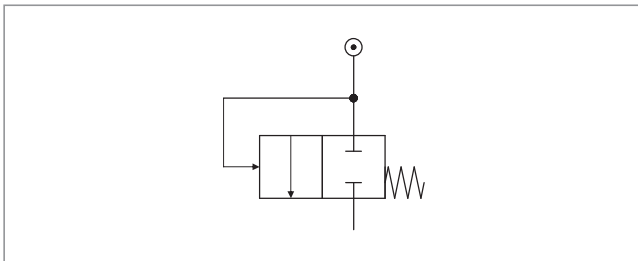
①                      ②

① Series	② Air supply port connection thread	Exhaust port connection thread
ZVS	G1F - G1/8 female thread G2F - G1/4 female thread	G1/8 male thread G1/4 male thread

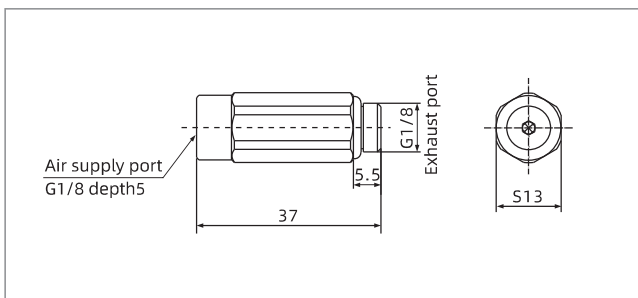
### Technical parameters

Model	Air supply pressure range bar	Max. blow flow NL/min	Working temperature °C	Weight g	Recommended hose dia. mm
ZVS-G1F	3.0~7.0	90~160	-10~80	12.9	φ8
ZVS-G2F	3.0~7.0	90~160	-10~80	15.1	φ8

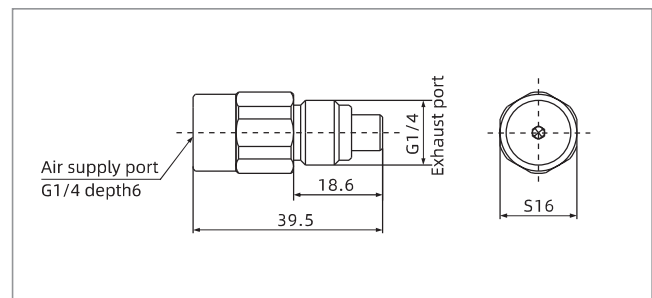
### Pneumatic schematic diagram



### Dimensions (mm)



ZVS-G1F



ZVS-G2F